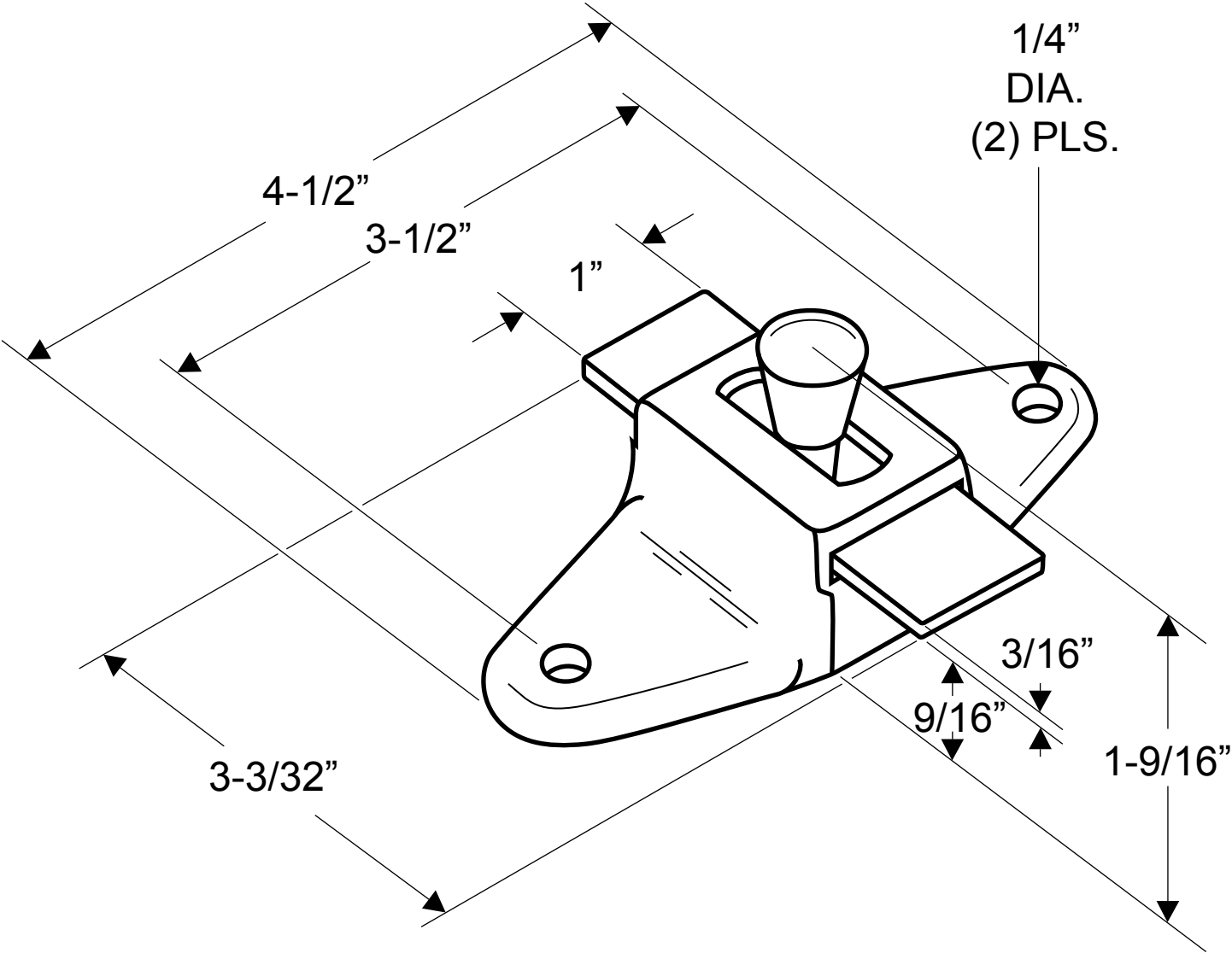


**5050, 5051, 5052, 5053
(SLIDE LATCH)**



**NOTE: STANDARD FOR 5400 DOOR PULL
SLIDE DISTANCE $\frac{15}{16}$ "**