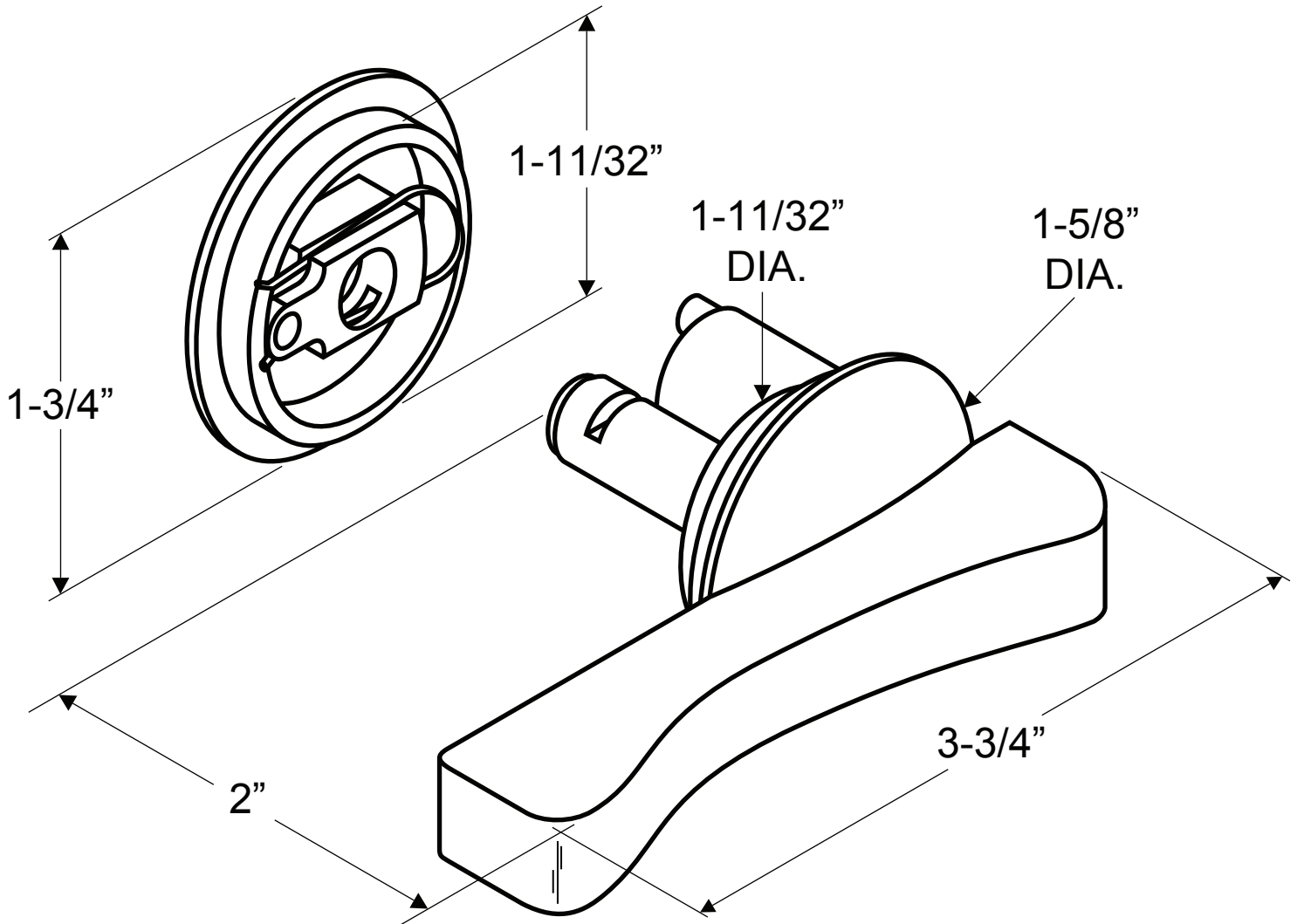
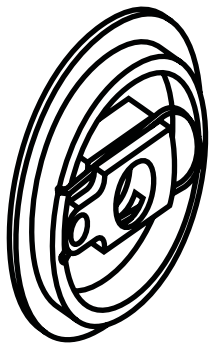


**6170
(CONCEALED LATCH)**

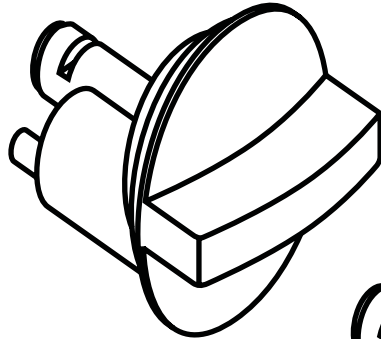


**NOTE: LATCH CAN BE USED
WITH ADA DOORS**

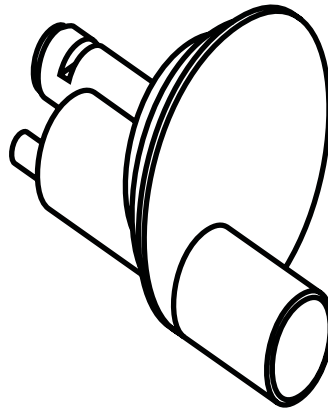
INSTRUCTIONS FOR INSTALLING 6160, 6170, 111950 (CONCEALED LATCHES)



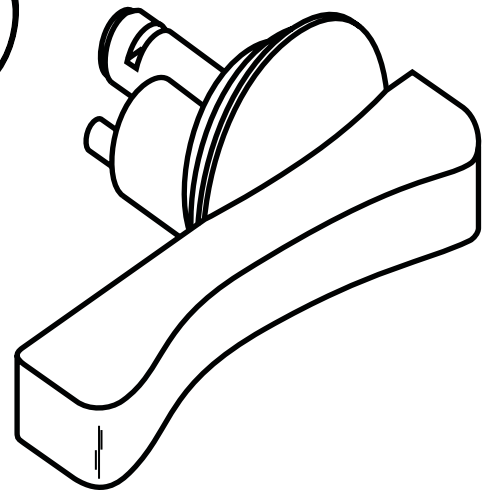
#111950



#6160



#6170



1. Insert male knob on inside of door.
3. Insert female knob on outside of door.
3. Engage both knobs until retaining ring “clicks” into groove (they will not come apart).

REMOVAL - To remove latch, drill 3/8” diameter hole through center of female knob (outside) 5/8” deep. Pull knob set apart.

