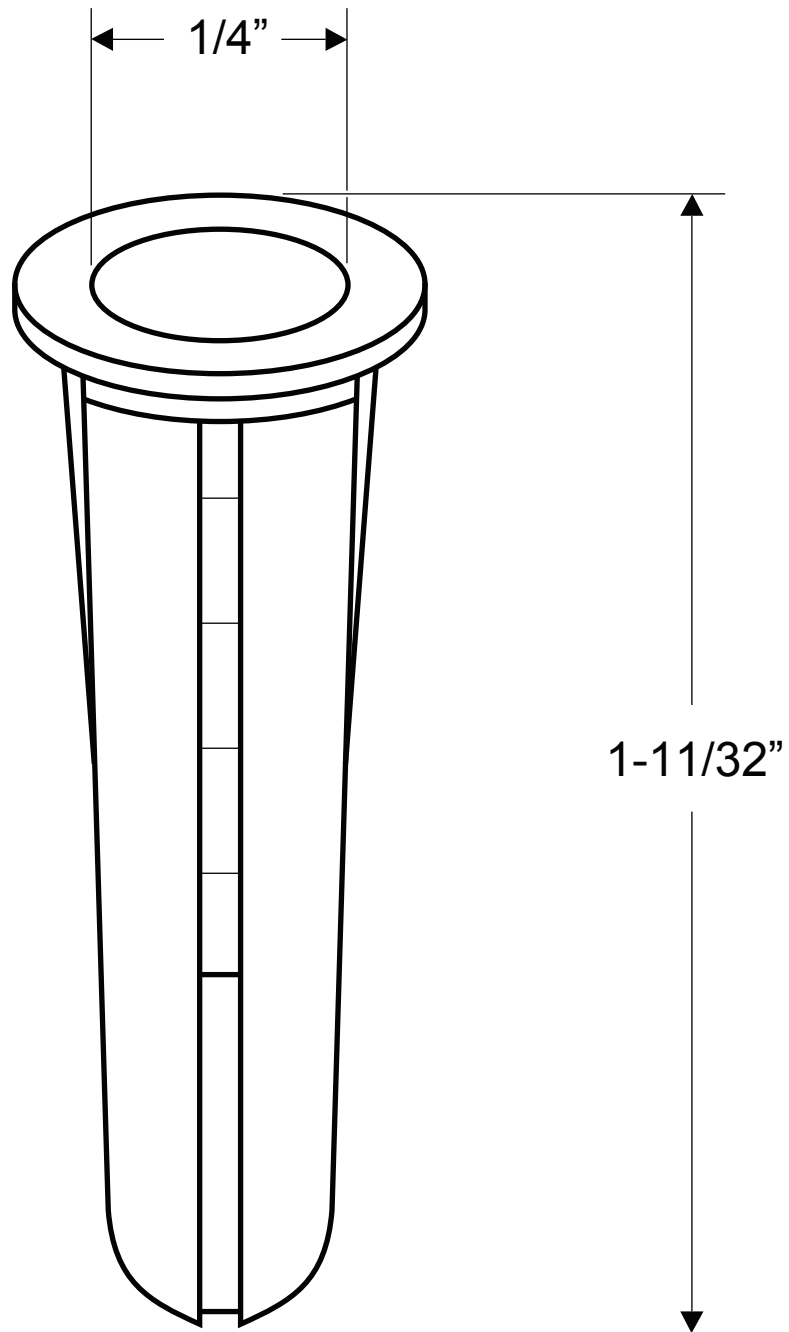


**9015\_99009015  
(PLASTIC ANCHOR)**



- NOTES: 1) FOR #14 - 16 SCREWS  
2) FOR INSTALLATION, DRILL 5/16" DIA. HOLE.**