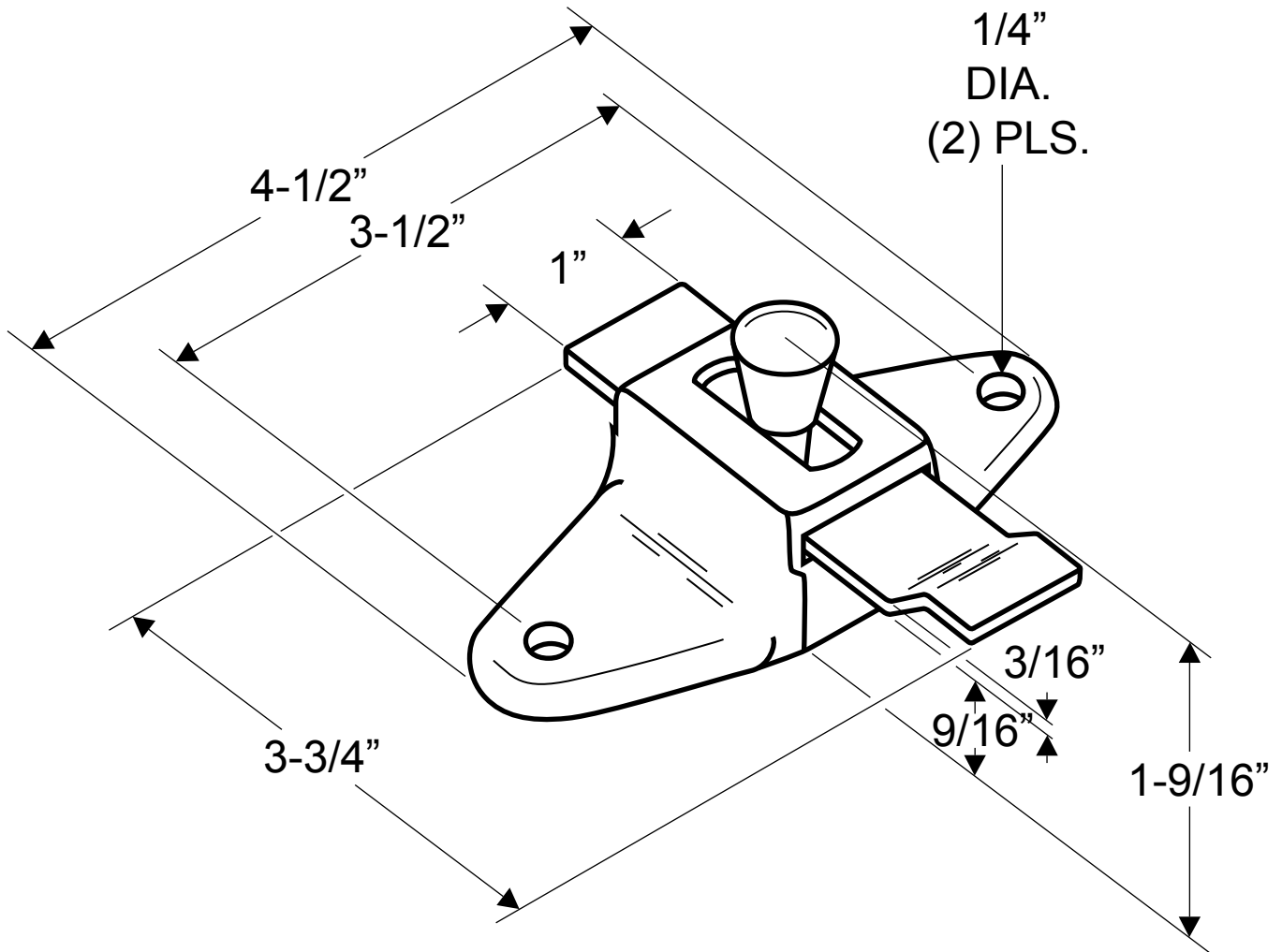


**5000, 5003
(SLIDE LATCH)**



**NOTE: STANDARD FOR 5400 DOOR PULL
SLIDE DISTANCE $\frac{15}{16}$ "**