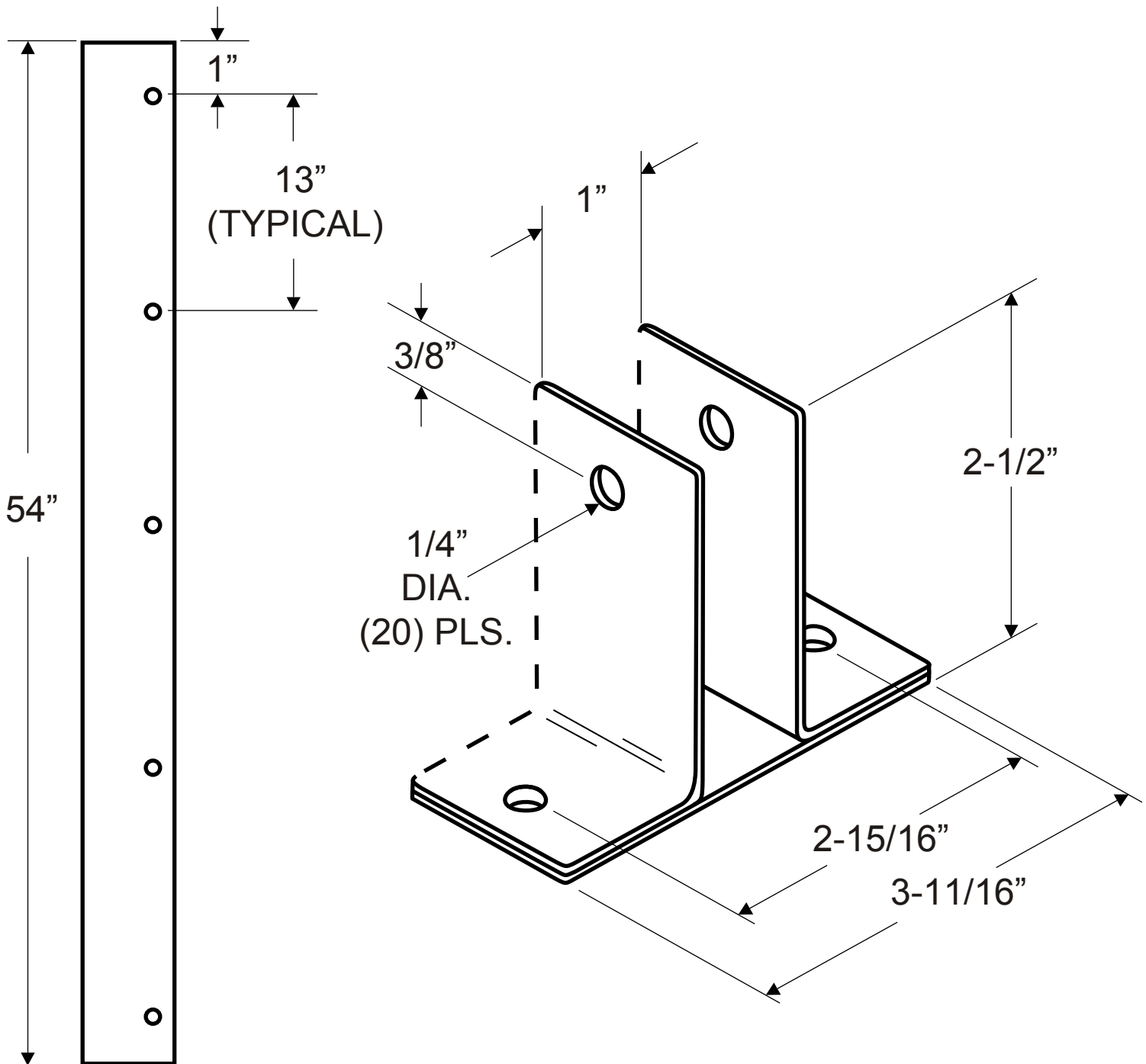


**2869**  
**(WALL BRACKET - TWO EAR 1"x54")**



**NOTE: 18 GAUGE (.050" THICK STAINLESS)**