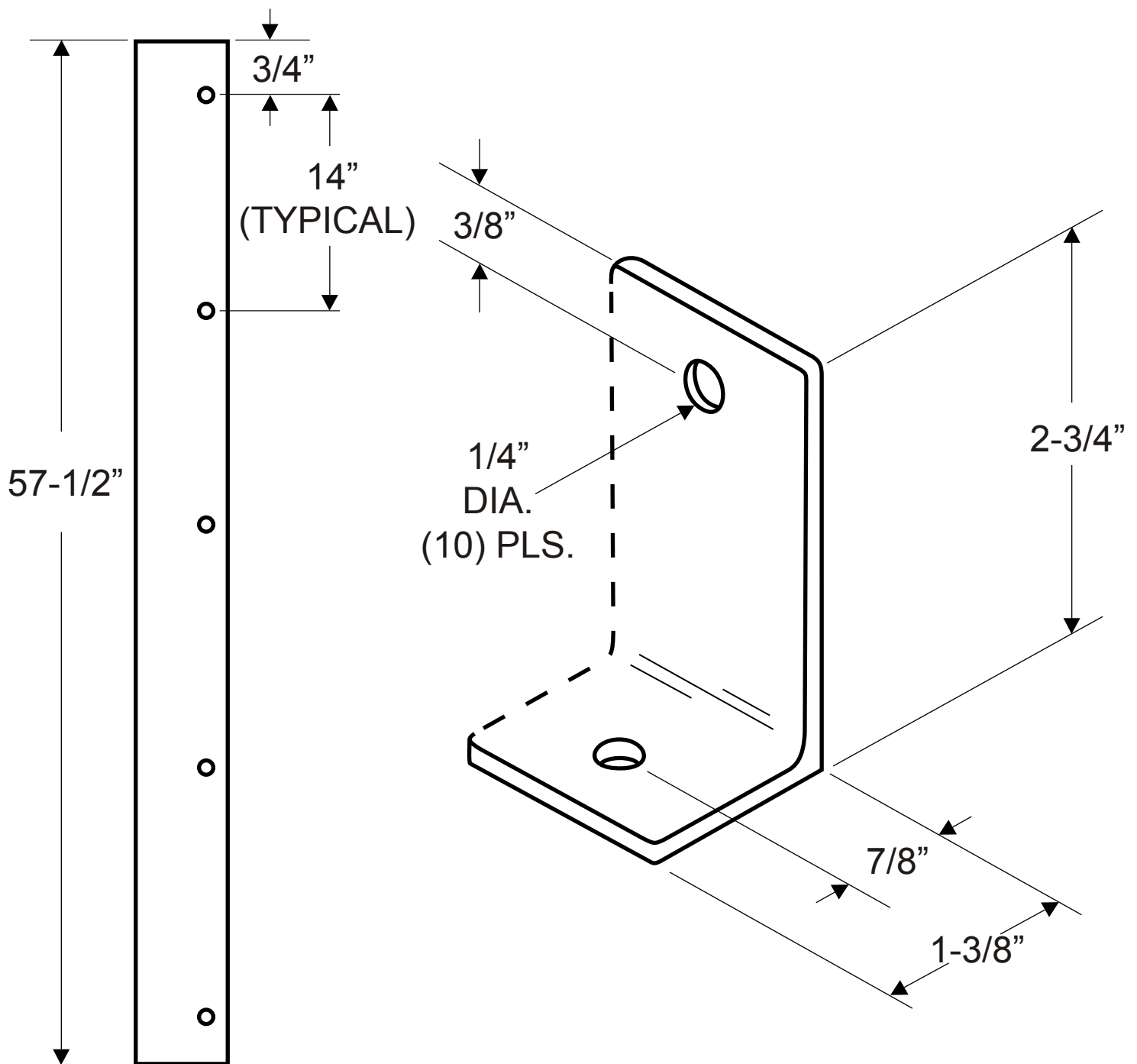


2684
(ANGLE BRACKET - SINGLE PIECE 57-1/2")



NOTE: ALL WALL THICKNESS AT 1/8"