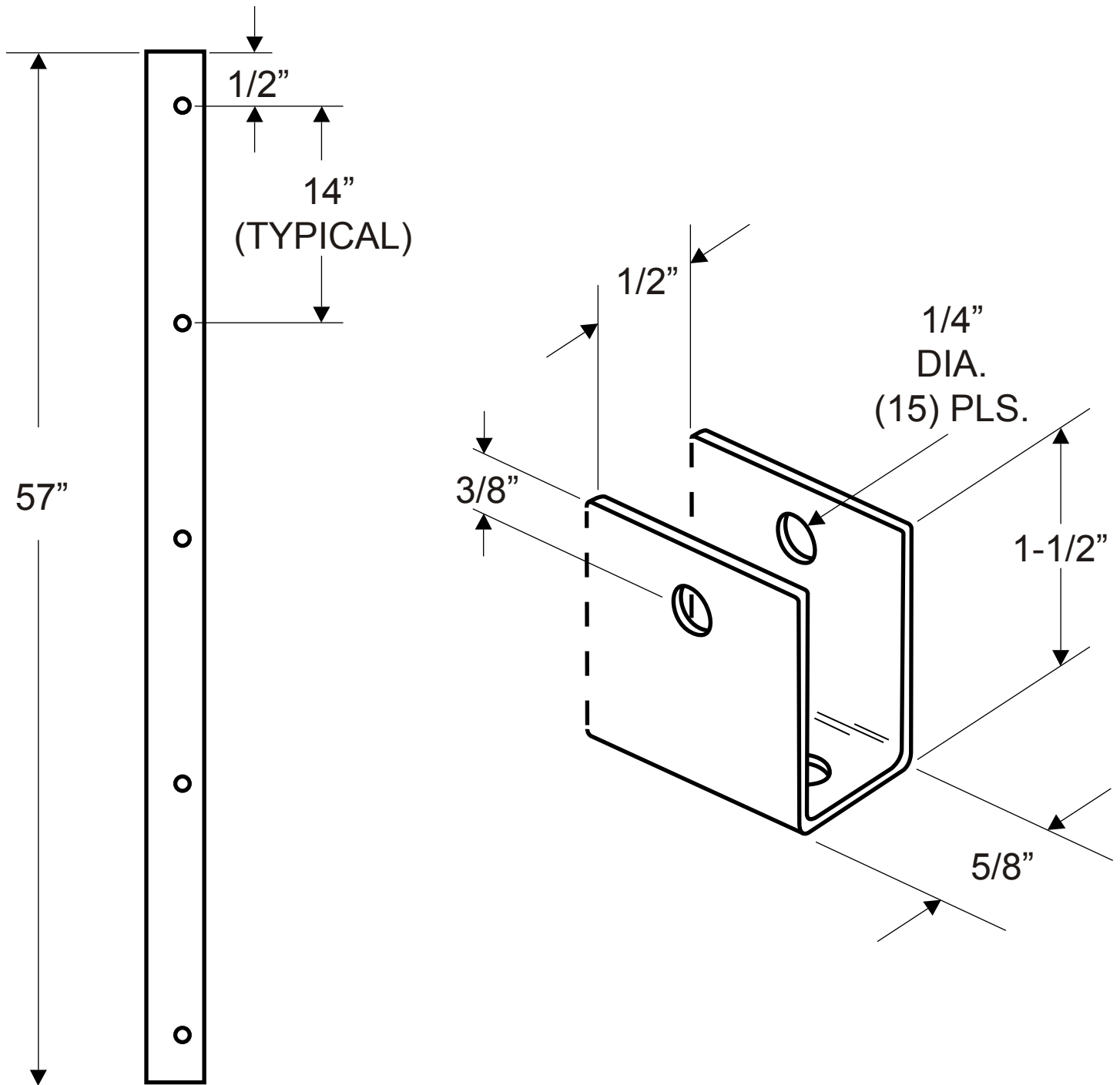


2669
(U-BRACKET 1/2"x57")



NOTE: 18 GAUGE (.050" THICK STAINLESS)
FIVE HOLES IN BASE