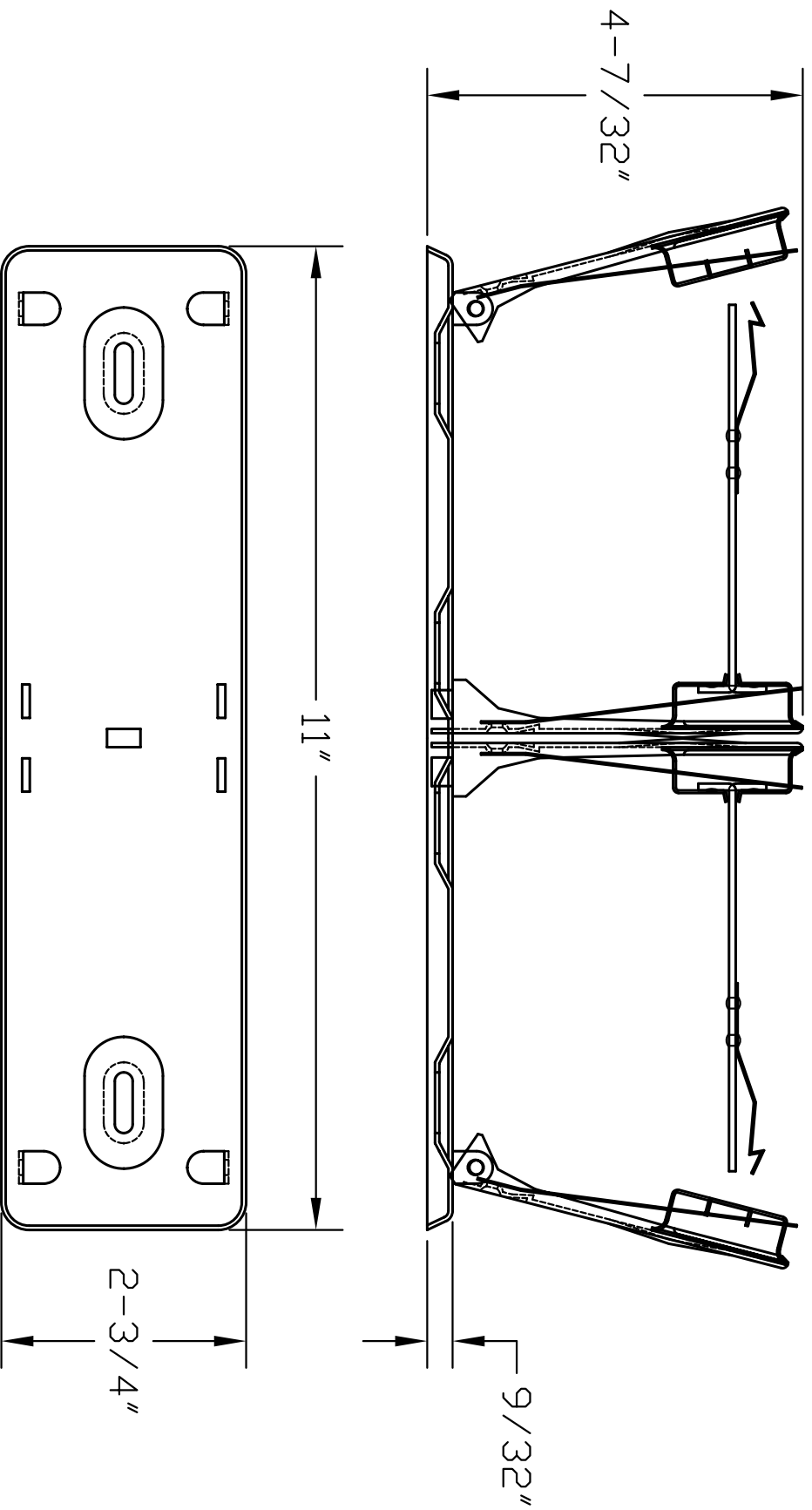


7369 (PAPER HOLDER-DOUBLE)



NOTE: (2) #10 X 5/8" PHILLIPS
PAN HEAD SCREWS INCLUDED.