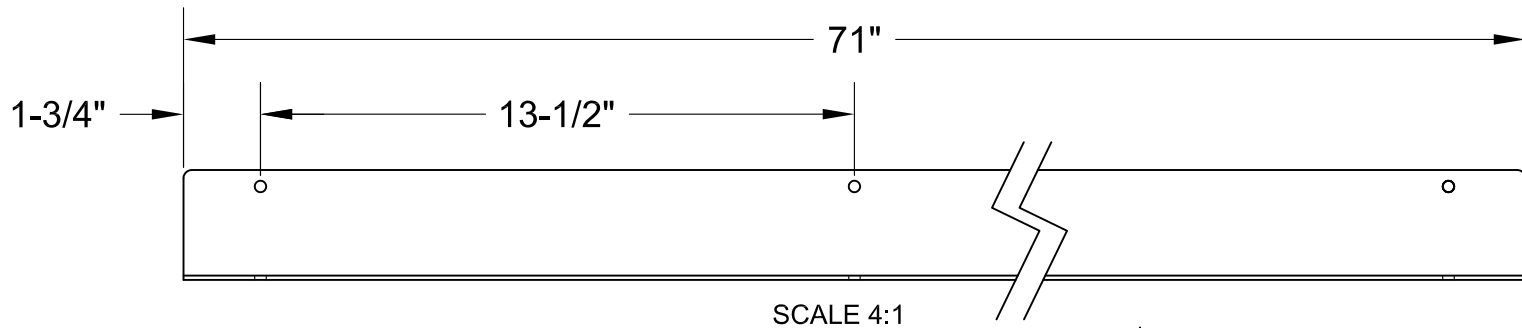
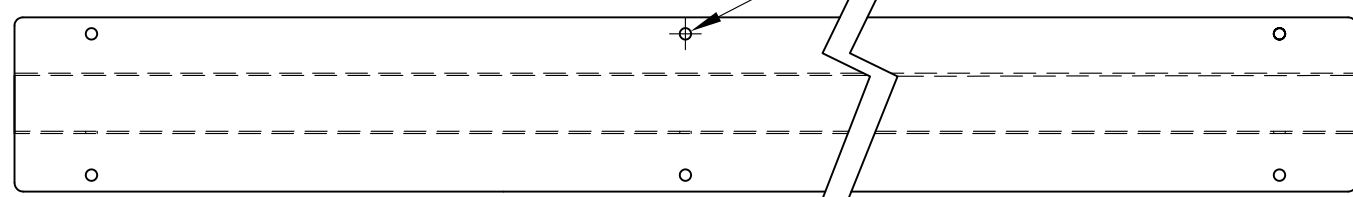


182349 WALL BRACKET TWO EAR 1" X 71"
CRSS

DIMENSIONAL TOLERANCES UNLESS OTHER WISE SPECIFIED
DECIMALS +/-0.005 FRACTIONS +/-0.010 ANGLES +/-1 DEG

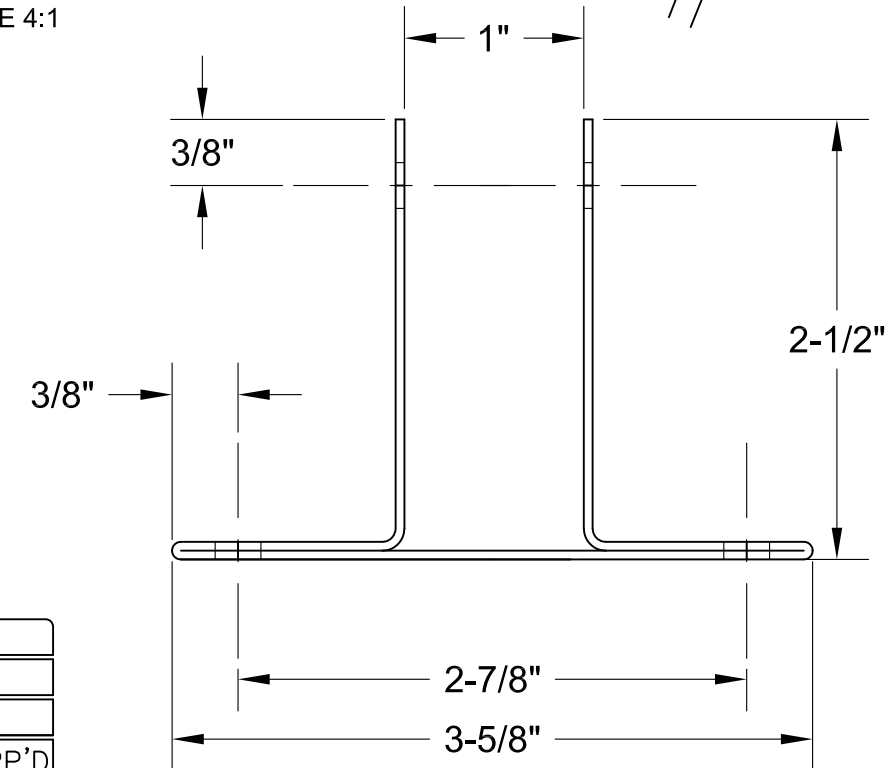


SCALE 4:1



SCALE 4:1

DIA. 1/4"



Jacknob[®] Corp.

DIM.	DATE	FROM	TO	APP'D

DATE: 06-01-16	DRAWN BY: RICHARD J MICUS
JOB#18234-9A	SCALE:
MATERIAL: STAINLESS STEEL 18 GAUGE	FINISH: #4 SATIN