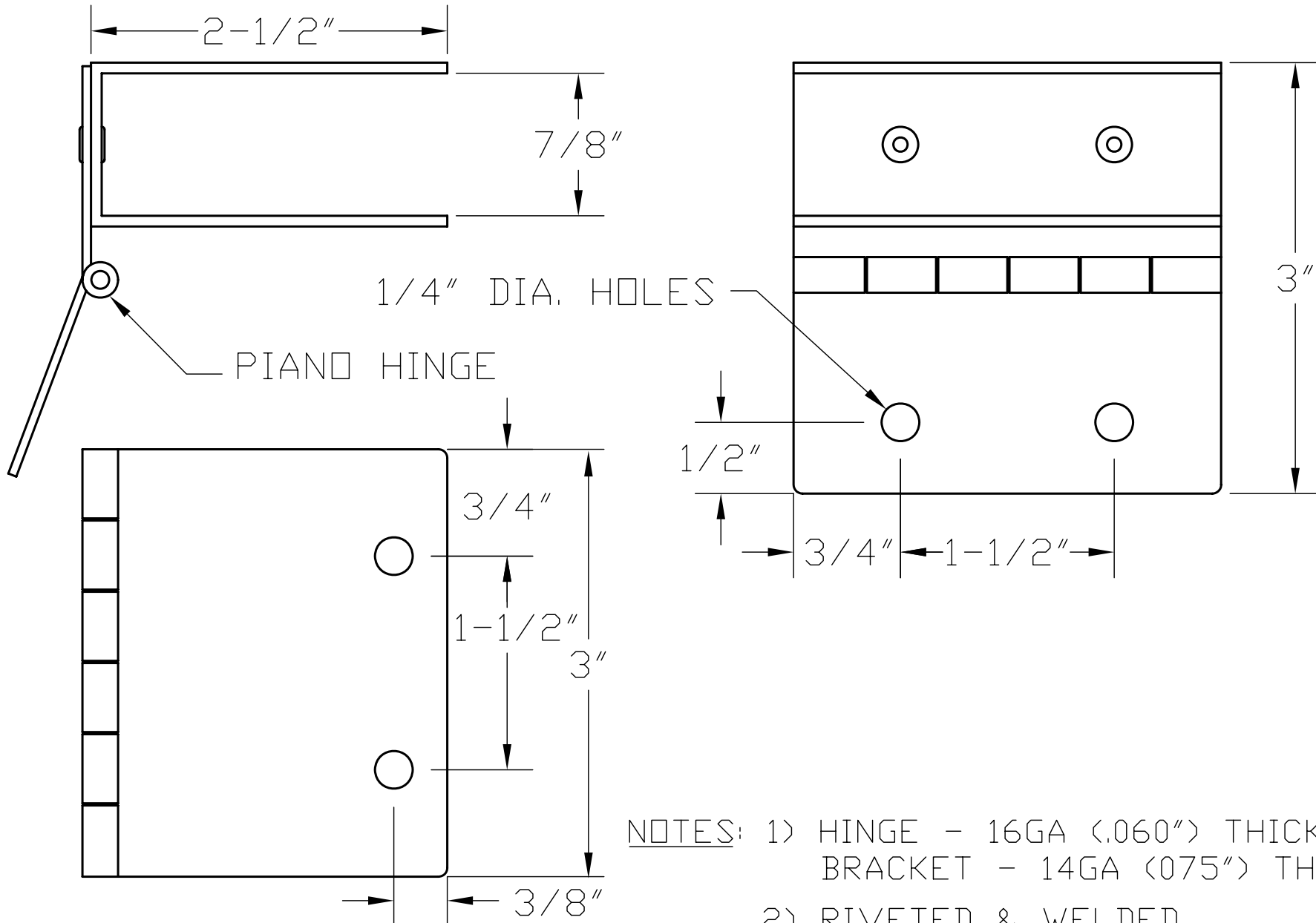


# 122869 (WALL BRACKET-HINGED 7/8")



- NOTES: 1) HINGE - 16GA (.060") THICK.  
BRACKET - 14GA (.075") THICK.  
2) RIVETED & WELDED.