

FEATURES**Model LKDC2085**

- Single hole top mount installation
 - 1-1/2" (38mm) faucet hole required
 - Maximum countertop thickness 7/8" (22mm)
- Right hand single handle faucet
- Rigid spout, overall height 10-3/8" (264mm)
- High polished, chrome plated finish
- 1/2" (13mm) I.P. connections
- Removable ceramic disc cartridge
- Ship Wt. 4 lbs. (1.8Kg)
- Maximum flow rate
 - 2.5 GPM/9.5 L/min at 80 P.S.I.G.
 - 2.2 GPM/8.3 L/min at 60 P.S.I.G.

Model LKDC2085L

- Same as LKDC2085 except with handle on the left side

Model LKDCVR2085

- Same as LKDC2085 except with vandal-resistant aerator, handle screw, and factory installed anti-rotation pins

Model LKDCVR2085L

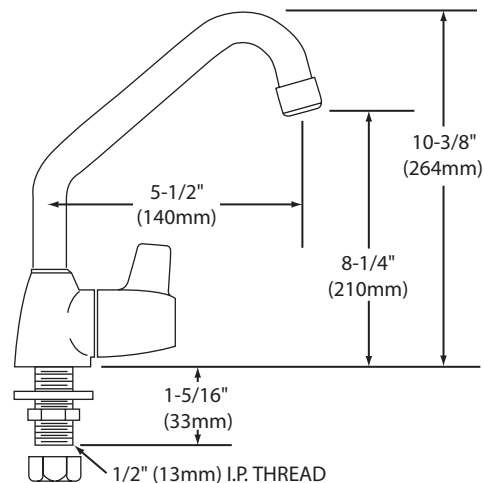
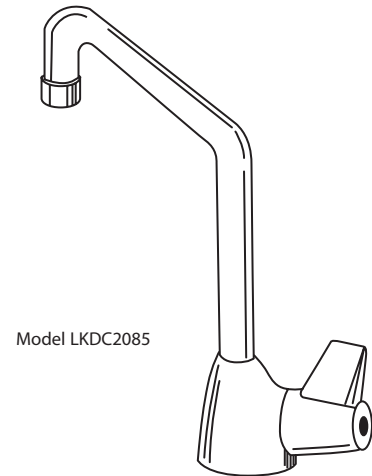
- Same as LKDCVR2085 except with handle on the left side

WARRANTY

- Limited Lifetime

COMPLIES WITH:

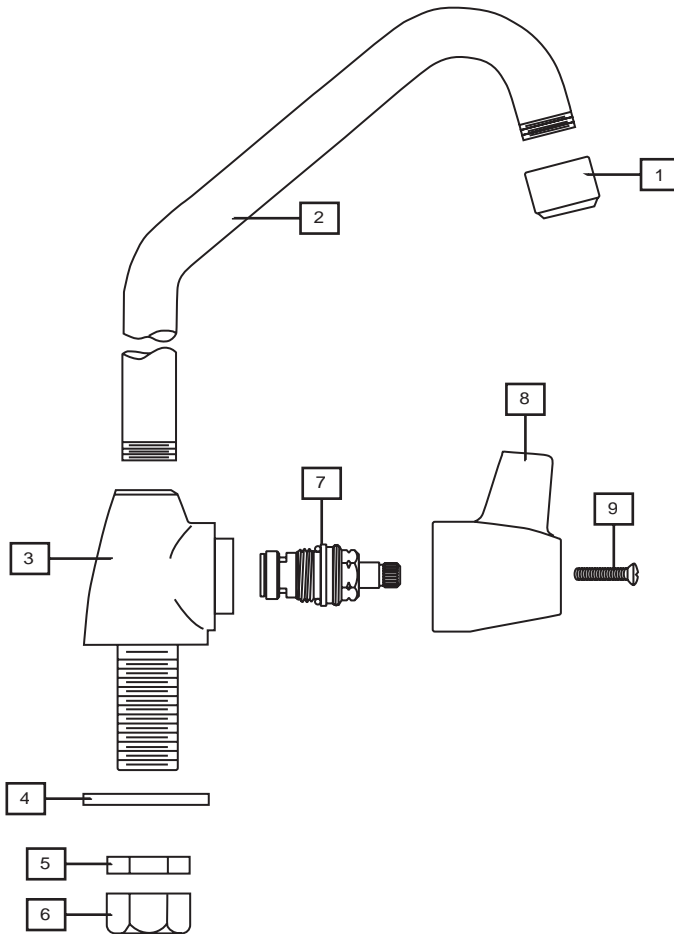
- ADA
- ANSI/NSF61 - Certified
- ASME 112.18.1/CSA B125.1
- CA AB1953/VT S152

**LKDC Series Classroom/Institutional Single Handle Faucet
Models LKDC2085, LKDC2085L, LKDCVR2085
and LKDCVR2085L**

SEE OTHER SIDE FOR REPLACEMENT PARTS

LKDC Series Classroom/Institutional Single Handle Faucet Models LKDC2085, LKDC2085L, LKDCVR2085 and LKDCVR2085L

*Parts ending in NL effective
10/1/2009. Prior to 10/1/2009
order part less NL suffix.



ITEM	IND. PART	DESCRIPTION
1	SEE CHART	AERATOR
2	A54772	SPOUT
3	A74988NL	BODY
4	SEE CHART	WASHER
5	A51266	LOCK NUT
6	A51438	COUPLING NUT
7	SEE CHART	CARTRIDGE
8	A74921	HANDLE
9	SEE CHART	SCREW

FAUCET	AERATOR	WASHER	CARTRIDGE	SCREW
LKDC2085	P05103	P35163	P29121NL	P36120
LKDC2085L	P05103	P35163	P29122NL	P36120
LKDCVR2085	A55062	A54883	P29121NL	A75063
LKDCVR2085L	A55062	A54883	P29122NL	A75063