

Security towel hook strip:

Model SA32 – Chase Mounted

Product Materials

BACKPLATE: 14 gauge stainless steel with exposed surfaces in architectural satin finish. All seams are welded and ground smooth.

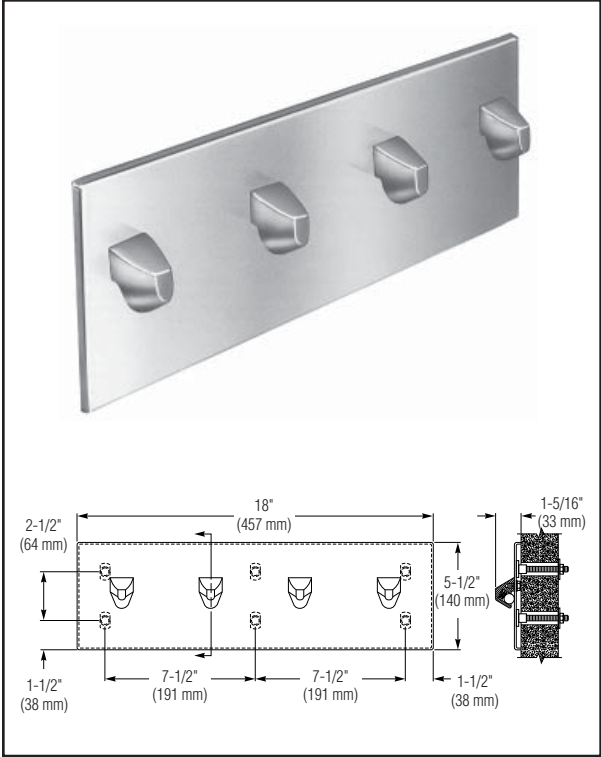
SAFETY HOOK: bright, chrome plated brass housing with stainless steel ball and spring. Friction mechanism allows holder to clasp towels, clothing, etc., but releases when excessive force is applied.

Installation

Verify all rough-in dimensions prior to installation. Backplate has welded anchor nuts to receive 1/4" -20 studs, nuts and washers. (Included with unit.) (6) 5/8" dia. holes are required in wall at locations shown.

Standard Selections

WALL THICKNESS (must specify)
<input type="checkbox"/> Specify Thickness: _____



**Washroom Accessories
Document No. 9235**