

- Complies with American National Standard Z358.1-2009
- Acts as a Stationary Eye/Face Wash or Hand-Held Spray for Eyes and Face or Body Rinsing
- Highly Visible Yellow-Colored Hose
- Wall Bracket Included
- Universal Identification Sign and Inspection Tag Included
- Full, One-Year Warranty



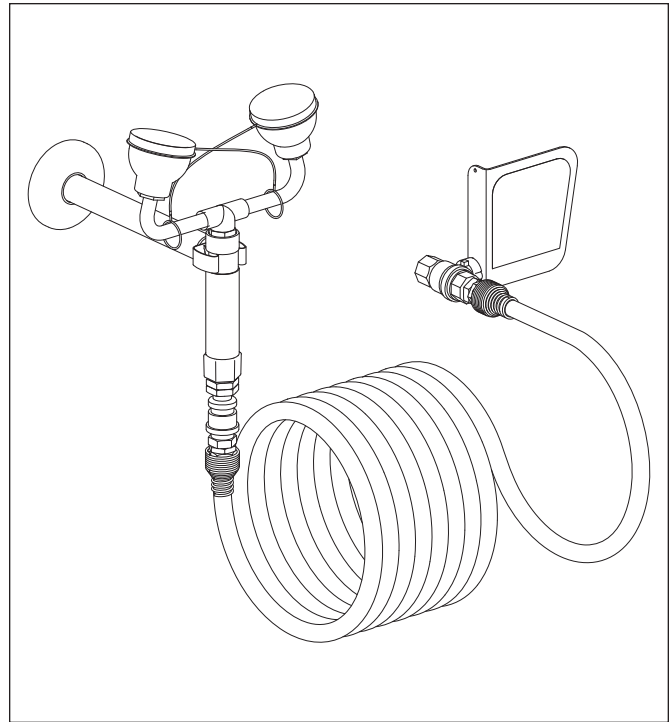
Specifications

Quick-access emergency eye/face spray features soft-flow dual sprayheads for flooding large areas as well as eyes only. Self-coiling hose retracts for easy storage while allowing instant extension in emergency situations. Hand-held hose sprayhead contains an antimicrobial agent to protect the sprayhead. Operating range is 30–90 psi. Flow rate is 3.9–5.9 gpm.

cUPC Approved:

The Emergency Fixtures are certified to comply with the requirements of the Uniform Plumbing Code and the National Plumbing Code of Canada by the International Association of Plumbing and Mechanical Officials (IAPMO).

- This plumbing fixture is not intended to dispense water for human consumption through drinking or for preparation of food or beverages.*
- Drench hoses must provide a controlled flushing fluid flow that is both tepid and non-injurious to the user per ANSI Z358.1-2009. Refer to ANSI Z358.1-2009 for complete regulatory information regarding the performance, installation, maintenance, and training requirements for drench hoses.*
- Installer to supply backflow prevention as required by UPC, IPC and/or local plumbing codes. Compliance with local codes is the responsibility of the installer. Backflow prevention valves are not included with the fixture and may be supplied by the contractor or purchased from Bradley Corporation. Contact Bradley or visit bradleycorp.com for available options.*



Standard Equipment

Eye/Face Spray

Perforated sprayhead is ABS plastic and features soft-flow sprayhead for flooding large areas as well as eyes only. Includes protective sprayhead cover. Integral flow control assures safe, steady flow under varying water supply conditions.

Valve

1/2" stay-open ball valve. Hand-operated by a large highly visible stainless steel push flag handle.

Drench Hose

12' (3655mm) yellow reinforced thermoplastic hose is self-coiling. Burst strength is 660 PSI. Supply is 1/2" female NPT.

Wall Bracket

Stainless steel wall bracket.

Recommended Option:

Navigator S19-2000 EFX8
Emergency Thermostatic Mixing Valve

NAVIGATOR

Satisfies ANSI Z358.1-2009
tepid water requirements.

Model	Description
<input type="checkbox"/> S1944022ABC	Dual Purpose Stationary or Removable Eye/Face Wash
<input type="checkbox"/> S27-303	Series 7 Dual-Check Backflow Preventer
<input type="checkbox"/> S45-2309	Series 9 Dual-Check Vacuum Breaker
<input type="checkbox"/> S45-2310	Series 9D Dual-Check Backflow Preventer
<input type="checkbox"/> S19-2000	Navigator EFX8 Emergency Thermostatic Mixing Valve

Dimensions

