

- Halo™ Delivers the Most Effective Eye/Face Washdown Coverage and Spray Pattern
- Exceeds American National Standard Z358.1 Specifications
- Durable, Ceramic Valve
- Precise 20° Side-Swing Activation
- Durable Anti-Rotational Deck Mount
- Universal Right or Left Hand Mounting Options
- Chrome-Plated Brass on Exposed Piping and Fittings
- Fully-Assembled and Factory-Tested Eyewash or Eye/Face Wash with Hinged Dust Covers
- Universal Identification Sign and Inspection Tag Included
- Halo™ Eye/Face Wash is covered by the following patent: D662,220; D685,920. Other patents pending.

## Specifications

Unit design saves space and fits easily into any work environment. Halo eyewash or eye/face wash provides effective wash down coverage and spray pattern. Units operate quickly by pulling swing arm 90° over sink. The unit is pre-assembled for right-hand mounting, but if desired, there is the option to assemble for left-hand mounting. New vandal resistant ceramic valve limits wear and tear on moving parts, providing dependability and long lasting performance. Safe, steady water flow under varying water supply conditions from 30-90 PSI is assured by integral flow control. Includes antimicrobial protection.

**NOTE:** The ANSI Z358.1 standard requires an uninterrupted supply of flushing fluid. Bradley plumbed emergency fixtures require a minimum of 30 PSI flowing pressure.

*This plumbing fixture is not intended to dispense water for human consumption through drinking or for preparation of food or beverages.*

## Standard Equipment

### Eyewash

The Halo eyewash system offers a high performance rinsing platform that provides rapid relief to an individual's eyes that have been injured by chemicals or particulate. The eyewash includes an integral 5.1 gpm flow control providing water at a safe velocity while maintaining its effectiveness (exceeds minimum water flow of 0.4 GPM at 30 PSI). Safe, steady water flow under varying water supply conditions from 30-90 PSI is assured by integral flow control in the sprayhead assembly.

### Eye/Face Wash

The Halo eye/face wash system offers a high performance rinsing platform that provides rapid relief to an individual's eyes and face that have been injured by chemicals or particulate. This system provides the most complete face wash available in the market. The eye/face wash includes an integral 5.1 gpm flow control providing water at a safe velocity while maintaining its effectiveness (exceeds minimum water flow of 3.0 GPM at 30 PSI). Safe, steady water flow under varying water supply conditions from 30-90 PSI is assured by integral flow control in the sprayhead assembly.

### Valve

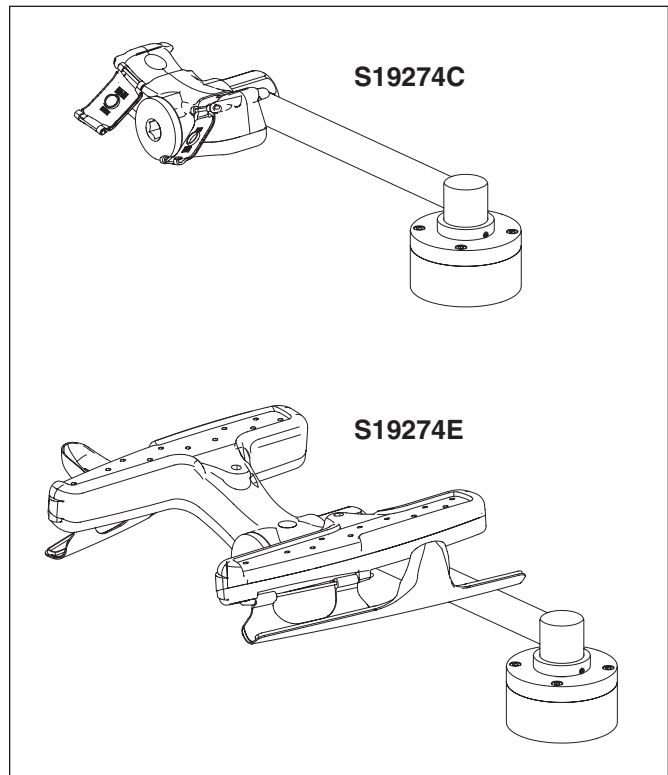
Ceramic 1/2" NPT stay-open valve. The ceramic discs provide a precise 20° activation and deactivation angle, minimizing excessive splashing when the unit is activated.

### Pipe and Fittings

Chrome-plated brass.

### Water Supply

1/2" NPT.

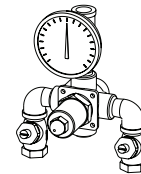


Model Number	Description
<input type="checkbox"/> S19274C	Swing-Activated Halo Eyewash – Universal Mount
<input type="checkbox"/> S19274E	Swing-Activated Halo Eye/Face Wash – Universal Mount
<input type="checkbox"/> S19-2000	Navigator EFX8 - Emergency Thermostatic

## Recommended Option:

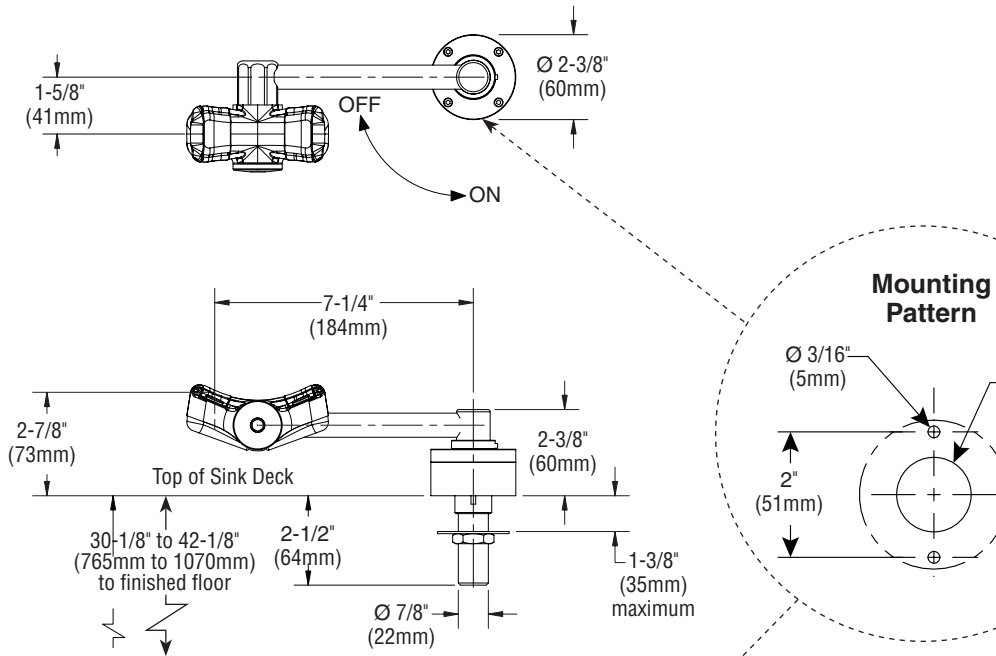
Navigator S19-2000 EFX8  
Emergency Thermostatic Mixing Valve

**NAVIGATOR**



Satisfies ANSI Z358.1  
tepid water requirements.

**S19274C**



**S19274E**

