

- Laboratory Application
- Complies with American National Standard Z358.1
- Universal Mount for Both Standard and Gooseneck Faucets (faucets not included)
- Includes Universal Identification Sign and Inspection Tag
- Full One-Year Warranty
- Classified by Underwriters Laboratory Inc. to ANSI Z358.1
- Lead Free design*

* Wetted surface contains less than .25% lead



Specifications

Low-cost eyewash mounts easily to both standard and gooseneck faucets. For eyewash use, leave cold water supply on at all times. To operate unit pull diverter pin toward user. For faucet use, water flow is activated by the use of the shutoff pin. Push the pin to the opposite side for water flow.

- To eliminate the risk of scalding eyes during use, it is recommended that hot water supply to the faucet be disconnected or that tempered water be provided.

Standard Equipment

Standard Sprayhead Assembly

Chrome-plated brass sprayhead assembly with twin soft-flow eyewash heads and highly visible yellow plastic protective covers. Safe, steady water flow under varying water supply conditions from 30–90 PSI is assured by integral flow control in the sprayhead assembly.

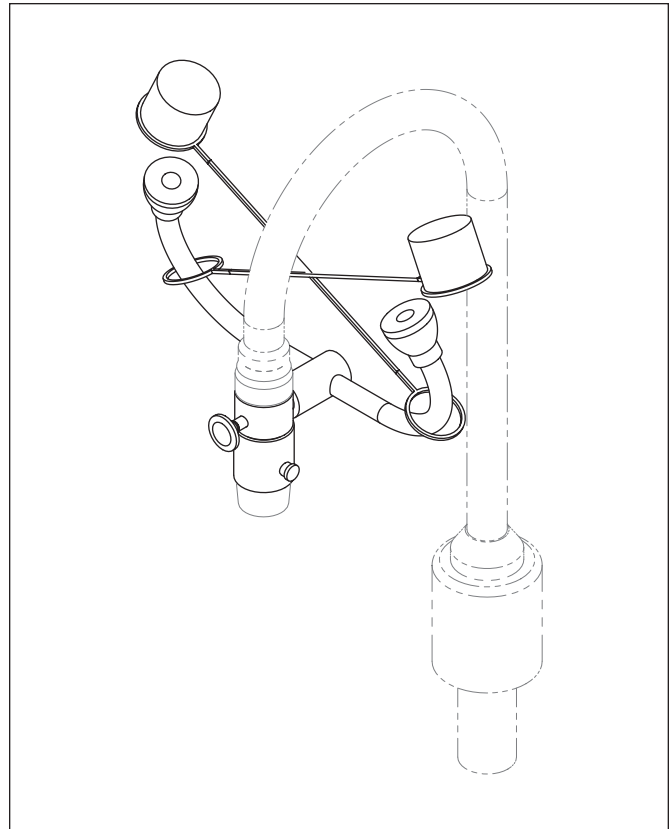
Adapter

Chrome-plated brass adapter replaces faucet aerator; provides for eyewash mounting to faucet. Standard thread on fixtures fits standard or gooseneck faucets with $\frac{5}{64}$ " x 27 thread (male). Unit is also provided with two adapters to convert the standard thread to fit faucets with $\frac{1}{4}$ " x 27 thread (female) and $\frac{1}{8}$ " x 27 thread (female).

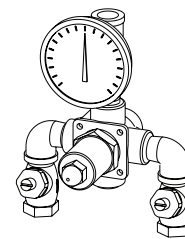
- Other adapter options available at an additional cost through Bradley Fixtures Corp. See model listing below or call Bradley for details. To determine the faucet's thread size, please contact the faucet manufacturer.
- For additional adapter information, please review the product's installation instructions.

Diverter

Chrome-plated brass diverter attaches to adapter. Provides for one-step activation which complies with ANSI Standard Z358.1 when installed and used properly.



Recommended Option:
Navigator S19-2000 EFX8
Emergency Thermostatic Mixing
Valve
NAVIGATOR



Satisfies ANSI Z358.1
tepid water requirements.

| Model | Description |
|---|--|
| <input type="checkbox"/> S19-200B | Faucet-Mount Eyewash |
| <input type="checkbox"/> S19-2000 | Navigator EFX8 - Emergency Thermostatic Mixing Valve |
| Optional Adapters Available for Purchase | |
| <input type="checkbox"/> 153-395 | Female, $\frac{1}{4}$ " x 24 - Chrome |
| <input type="checkbox"/> 153-396 | Male, $\frac{3}{8}$ " NPSM - Chrome |
| <input type="checkbox"/> 153-401 | Female, $\frac{3}{4}$ " (Garden Hose) - Chrome |
| <input type="checkbox"/> 153-422 | Male, $\frac{1}{4}$ " x 28 - Chrome |
| <input type="checkbox"/> 153-440 | Female, $\frac{3}{4}$ " (Garden Hose) - Chrome |

