

- Exceeds American National Standard Z358.1 Specifications
- Exceeds European EN 15154-1
- Fully Recessed Handle
- Sturdy One-Piece Cabinet for Quick and Easy Installation
- Full, One-Year Warranty
- SpinTec™ showerheads are covered by one or more of the following patents: 8113446; D594,089; D669,555; 8,490,895; Reg. Comm. Des. D001079560-0001. Other patents pending.
- Classified by Underwriters Laboratory Inc. to ANSI Z358.1
- Listed by Intertek to EN 15154-1

## Specifications

Barrier-free design makes this shower and eyewash fully accessible to people with physical disabilities. This unit is designed to accommodate areas where space considerations are a concern. Such areas may include, but are not limited to, laboratories, hospitals, and schools. Recessed hand handle models do not break the plane of the wall. This ensures no obstructions protrude from the wall at any time. Shower valve activates when handle is pushed downward. No tight pinching or grasping is required to activate. Showerhead is designed for varying water supply pressures of 30–90 PSI ensures a minimum flow of 20 GPM for ANSI compliance.

**ANSI Z358.1 compliant drench showers are mounted between 82"–96" from the lower edge of the showerhead or shroud to the floor.**

**This plumbing fixture is not intended to dispense water for human consumption through drinking or for preparation of food or beverages.**

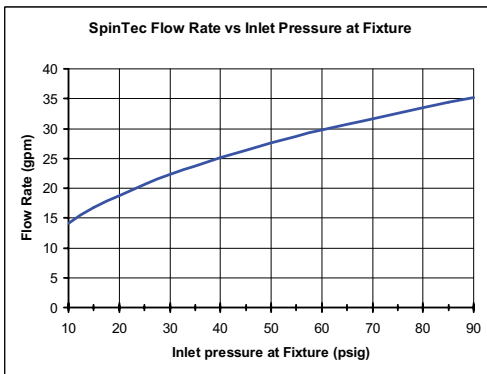
## Standard Equipment

### Cabinet and Optional Cover Plate

Stainless Steel. Optional cover plate for models with surface-mounted handle.

### SpinTec™ Showerhead

3.1" (78.7mm) diameter highly visible yellow impact-resistant plastic with optional 10¾" (273mm) diameter corrosion-resistant stainless steel shroud. SpinTec drench showerhead features integral 22 GPM (83.3 L) flow control, conserving water and helping to accurately size your tepid water system.



### Shower Valve

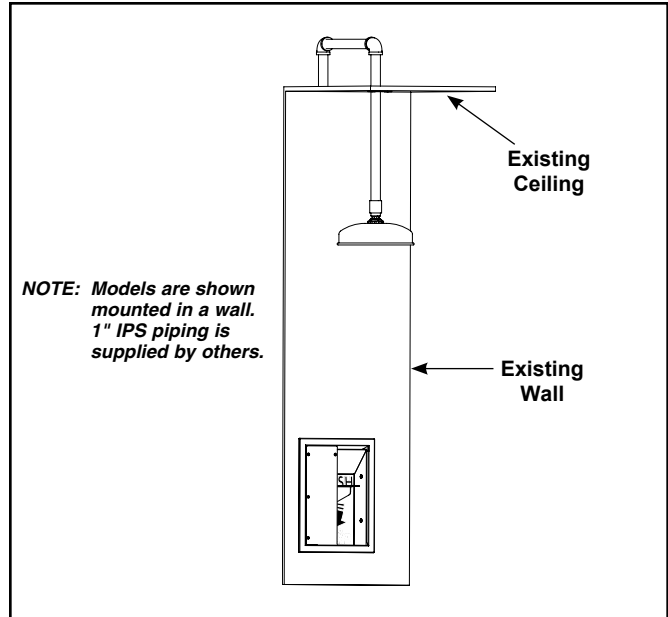
Chrome-plated brass 1" NPT stay-open ball valve. Hand operated by a black powder-coated stainless steel handle when pushed downward.

### Pipe and Fittings

1" brass and copper components.

### Water Supply

1" NPT. Piping is supplied by others.



## Installation

A rough wall opening of 10¼"W x 14¼"H x 4"D is required for Models S19-125BF and S19-125FMBF. Frame is integral to the Models S19-125BF and S19-125FMBF cabinets. Secure unit to framing with screws (supplied by installer) at holes provided.

Model	Description
<input type="checkbox"/> S19-125BF	Barrier-Free Recessed Drench Shower with Recessed Handle and <b>Extended Showerhead</b>
<input type="checkbox"/> S19-125FMBF	Barrier-Free Recessed Drench Shower with Recessed Handle and <b>Flush-Mounted Showerhead</b>
<input type="checkbox"/> S19-2100	Navigator EFX25 - Emergency Thermostatic Mixing Valve



### Recommended Option:

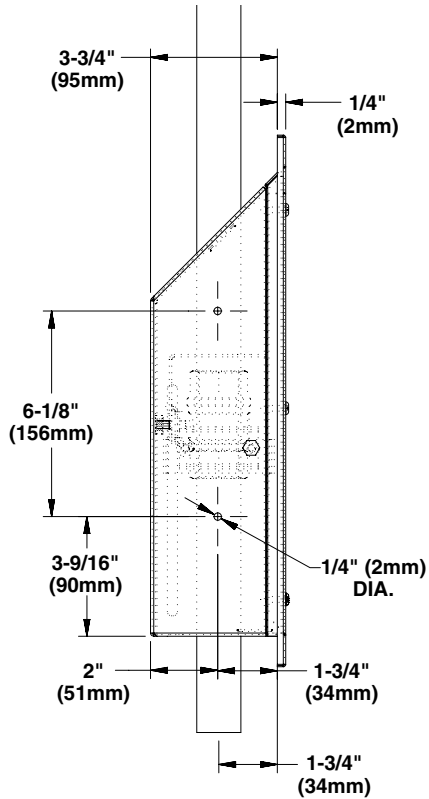
Navigator S19-2100 EFX25  
Emergency Thermostatic Mixing Valve

**NAVIGATOR**

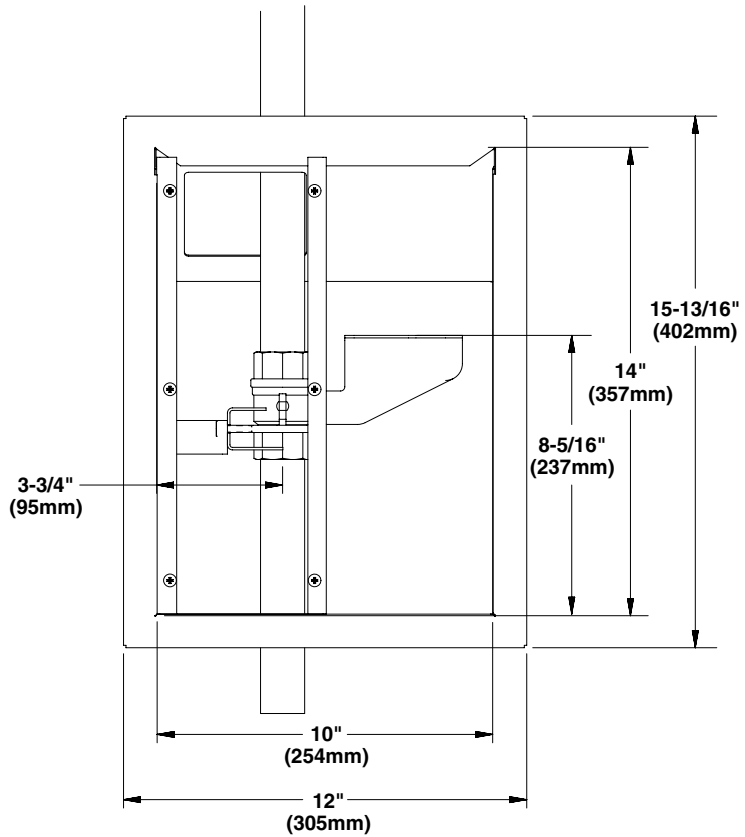


Satisfies ANSI Z358.1  
tepid water requirements.

**S19-125BF Cabinet Side View**



**S19-125BF Cabinet Front View**



**S19-125BF Cabinet Bottom View**

