

Recessed shelf:

- Standard Model 760

Product Materials

FLANGE: 22 gauge stainless steel with exposed surfaces in architectural satin finish. One-piece seamless construction, $\frac{3}{4}$ " wide with burr-free bevel edge.

CABINET: 22 gauge stainless steel. All welded construction. Not leakproof.

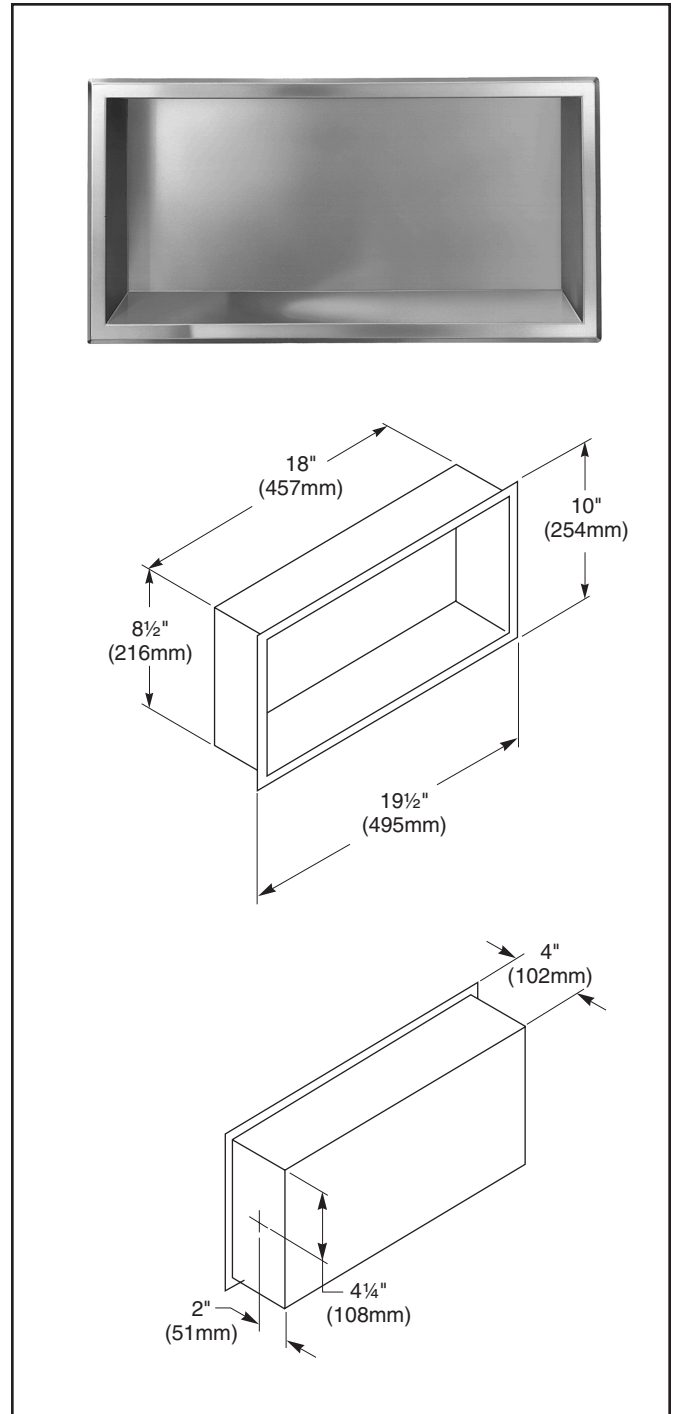
Installation

Verify all rough-in dimensions prior to installation. Requires rough wall opening $18\frac{1}{2}$ "W x $8\frac{7}{8}$ "H x 4"D. Secure to framing with mounting screws (included) at holes provided. Shim at screw points as required.

Guide Specification

Recessed shelf shall be fabricated of 22 gauge stainless steel with exposed surfaces in satin finish.

Overall dimensions: $19\frac{1}{2}$ "W x 10"H x 4"D.



**Washroom Accessories
Document No. 8770**

Page 1 of 1

This information is subject to change without notice.

Always consult local and national codes for proper installation guidelines. Conformity and compliance to local and national codes is the responsibility of the installer.

1-26-2011

© 2011 Bradley Corporation
P.O. Box 309, Menomonee Falls, WI 53052-0309
Phone: 800.BRADLEY (800.272.3539) Fax: 262.253.4161
bradleycorp.com