

Model 582

- Partition-Mounted
- Serves Two Compartments

Product Materials

FLANGE: 22 gauge stainless steel with exposed surfaces in Architectural satin finish. One-piece seamless construction, 1" wide with burr-free beveled edges.

CABINET: 22 gauge stainless steel. All-welded construction.

DOORS: 22 gauge stainless steel with exposed surfaces in architectural satin finish, with full-length piano hinge and tumbler lock keyed like other Bradley units.

Capacity

1,000 single-fold or half-fold toilet seat covers.

Operation

Seat cover dispenser serviced through hinged door on one side of unit.

Installation

Verify all rough-in dimensions prior to installation. Requires partition opening 11"H x 15 $\frac{3}{8}$ "W. Flange adjustable for partitions from $\frac{3}{4}$ " to 1 $\frac{1}{16}$ " thick. Remove flange and install cabinet in partition opening with tabs flush against partition. Position flange on both sides of cabinet and secure with mounting screws (included) at holes provided.

- If used with on odd number of toilet compartments, use one Bradley Model 584 recessed or Bradley Model 583 surface-mounted Seat Cover Dispenser in side wall of end compartment.

Guide Specification

Dual toilet seat cover dispenser shall be partition-mounted to serve two toilet compartments. Unit shall be fabricated of 22 gauge stainless steel with seamless exposed surfaces in satin finish. Dispenser door with piano hinge and tumbler lock.

Overall dimensions: 17 $\frac{1}{8}$ "W x 12-3/4"H x 4 $\frac{5}{8}$ "D.

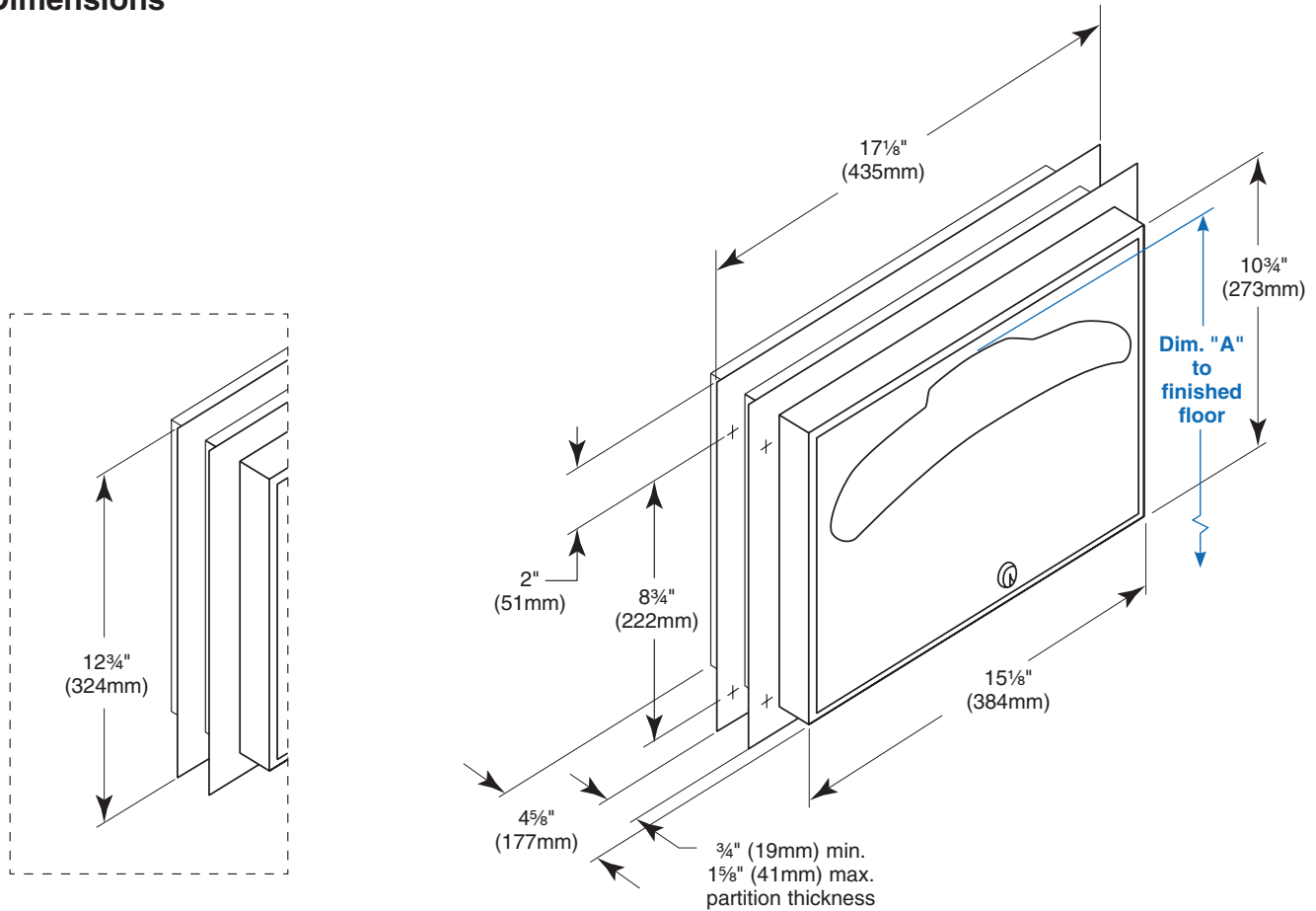
ADA Compliant

- Consult local and national accessibility codes for proper installation guidelines.
- Conformity and compliance to local and national codes is the responsibility of the installer.



Washroom Accessories
Document No. 8558

Dimensions



Dim. "A" Key Surface:	For Dim. "A"	Top of Rough Wall Opening	Bottom of Rough Wall Opening
Top of seat cover opening to finished floor	48" (1219mm)	49 1/4" (1251mm)	38 1/4" (972mm)
	45" (1143mm)	46 1/4" (1175mm)	35 1/4" (895mm)
	42" (1067mm)	43 1/4" (1099mm)	32 1/4" (819mm)
	40" (1016mm)	41 1/4" (1048mm)	30 1/4" (768mm)
Rough wall opening:			
Partition Mount:	11 3/8" (289mm) Wide x 10 5/8" (270mm) High x Partition Thickness		

**Washroom Accessories
Document No. 8558**