

Model 402

- Standard Series — Satin Finish
- Slip-Type Flange

Product Materials

FLANGE: 22 gauge stainless steel with exposed surfaces in architectural satin finish. Flange of one-piece seamless construction, 1" wide with ¼" return. Slip-type flange permits partial or full recess installation, or can be discarded for surface mounting.

CABINET: 22 gauge stainless steel with exposed surfaces in architectural satin finish. Welded construction with burr-free edges.

DOOR: 18 gauge stainless steel with exposed surfaces in architectural satin finish, with full-length piano hinge and two tumbler locks keyed like other Bradley units.

COIN BOX: inside cabinet is 22 gauge stainless steel, secured by a separate lock keyed differently than door locks. Coin mechanism is available with free, \$.10, \$.25, \$.50, \$1.00, €.50, or Canadian Loonie denomination. One mechanism is included. Coin mechanism may be replaced in the field without removing cabinet from wall.

Capacity

30 napkins (3" x 4¼" x 1" or smaller). Dispenses all popular brands.

Operation

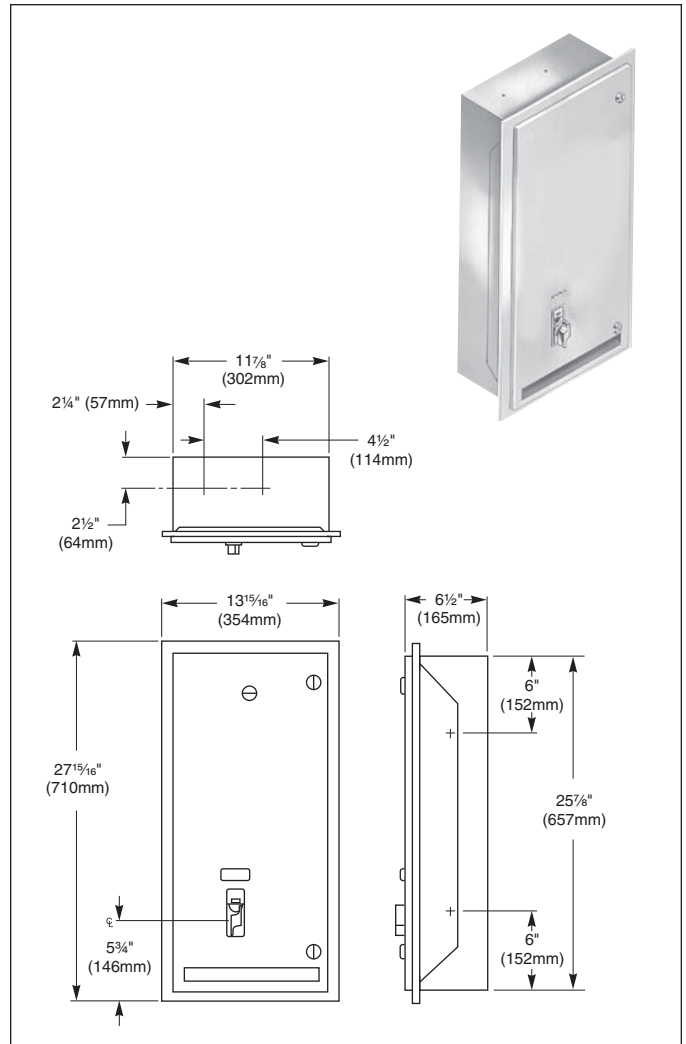
Insertion of coin permits clockwise rotation of handle to dispense product. Will not accept coin when vendor is empty. Access door allows servicing of unit.

Installation

Verify all rough-in dimensions prior to installation. Requires rough wall opening 12½"W x 26⅞"H x 6"D (fully recessed). Secure flange to rough wall opening using screws (included). Insert cabinet through flange into wall opening. Secure cabinet to framing with screws (not included) at holes provided. Shim at screw points as required.

Guide Specification

Napkin vendor shall be fabricated of 22 gauge stainless steel with exposed surfaces in satin finish. Door shall be fabricated of 18-gauge stainless steel with a full-length piano hinge and two tumbler locks keyed like Bradley units. Coin mechanism shall permit dispensing thirty napkins and be available with free, \$.10, \$.25, \$.50, \$1.00, €.50, or Canadian Loonie denomination.



Select Model

	Currency	Description	Suffix
<input type="checkbox"/>	US	Free	-40
<input type="checkbox"/>	US	10¢	-42
<input type="checkbox"/>	US	25¢	-45
<input type="checkbox"/>	US	50¢	-43
<input type="checkbox"/>	US	\$1.00	-44
<input type="checkbox"/>	Foreign	Canadian Loonie	
<input type="checkbox"/>	Foreign	€.50	-E43

**Washroom Accessories
Document No. 8350**

This information is subject to change without notice.
Always consult local and national codes for proper installation guidelines.
Conformity and compliance to local and national codes is the responsibility of the installer.

11-29-2011

© 2011 Bradley Corporation
P.O. Box 309, Menomonee Falls, WI 53052-0309
Phone: 800.BRADLEY (800.272.3539) Fax: 262.253.4161
bradleycorp.com