

- Standard Series — Satin Finish
- Slip-Type Flange

### Product Materials

**FLANGE:** 22 gauge stainless steel with exposed surfaces in architectural satin finish. Flange of one-piece seamless construction, 1" wide with ¼" return. Slip-type flange permits partial or full recess installation, or can be discarded for surface mounting.

**CABINET:** 22 gauge stainless steel with exposed surfaces in architectural satin finish. Welded construction with burr-free edges.

**DOOR:** 18 gauge stainless steel with exposed surfaces in architectural satin finish, with full-length piano hinge and two tumbler locks keyed like other Bradley units.

**COIN BOX:** inside cabinet is 22 gauge stainless steel, secured by a separate lock keyed differently than door locks. Coin mechanisms are available with free, \$.10, \$.25, \$.50, \$1.00, €.50, or Canadian Loonie denomination. Two mechanisms are included. Coin mechanisms may be replaced in the field without removing cabinet from wall.

### Capacity

30 napkins (3" x 4¼" x 1" or smaller) and 28 tampons (5½" long x ¾" dia. or smaller). Dispenses all popular brands.

### Operation

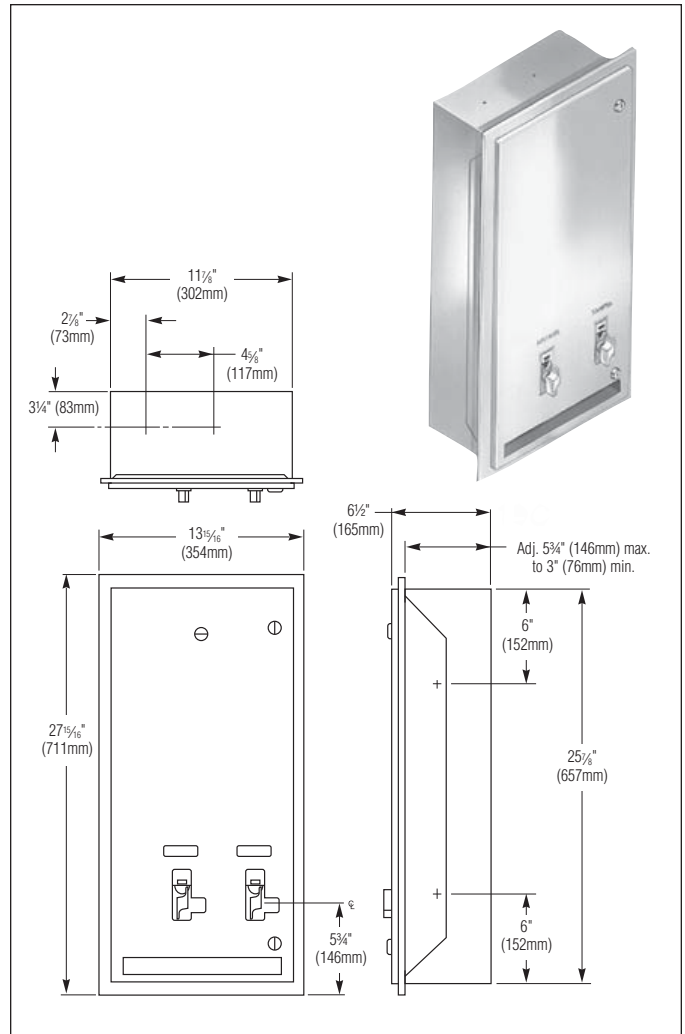
Insertion of coin permits clockwise rotation of handle to dispense product. Will not accept coin when vendor is empty. Access door allows servicing of unit.

### Installation

Verify all rough-in dimensions prior to installation. Requires rough wall opening 12½"W x 26¾"H x 6"D (fully recessed). Secure flange to rough wall opening using screws (included). Insert cabinet through flange into wall opening. Secure cabinet to framing with screws (not included) at holes provided. Shim at screw points as required.

### Guide Specification

Combination napkin/tampon vendor shall be fabricated of 22 gauge stainless steel with exposed surfaces in satin finish. Door shall be fabricated of 18 gauge stainless steel with a full-length piano hinge and two tumbler locks keyed like other Bradley units. Two coin mechanisms shall permit dispensing thirty napkins and twenty-eight tampons and be available with free, \$.10, \$.25, \$.50, \$1.00, €.50, or Canadian Loonie denomination.



### Select Model

Currency	Description	Suffix
<input type="checkbox"/> US	Free	-40
<input type="checkbox"/> US	10¢	-42
<input type="checkbox"/> US	25¢ <b>Bradex®</b>	-45
<input type="checkbox"/> US	50¢	-43
<input type="checkbox"/> US	\$1.00	-44
<input type="checkbox"/> Foreign	Canadian Loonie	
<input type="checkbox"/> Foreign	€ .50	-E43

**Washroom Accessories  
Document No. 8335**

Orders composed of products indicated as **Bradex®** will be available to ship in three days after receipt of order at the factory. There is no pricing penalty for this service from Bradley.

This information is subject to change without notice.

Always consult local and national codes for proper installation guidelines.

Conformity and compliance to local and national codes is the responsibility of the installer.