

- Specify color _____
(See color chart in back of catalog)
- Model 2038 — Recessed
- Model 2038-10 — Semi-Recessed
(recesses 3⁷/₈"; projects 3⁷/₈")
- Model 2038-11 — Surface-Mounted
(projects 7³/₄")
- Accent Series — Color Laminate

Product Materials

CABINET: 22 gauge stainless steel with exposed surfaces in architectural satin finish. Welded construction with seamless corners and burr-free edges.

DOOR: 5/16" thick solid laminate, made of colored Melamine bonded under high pressure to a phenolic core. All exposed edges are machined smooth to a uniform dark finish. Attached to cabinet with full length, heavy duty stainless steel piano hinge. Equipped with two latches.

TOWEL DISPENSER: 22 gauge stainless steel. Rolled edge on dispenser opening.

WASTE RECEPTACLE INSERT: leakproof molded plastic.

Capacity

Towel Dispenser — 1100 single-fold, 800 multi-fold or 600 C-fold paper towels. Waste Receptacle Insert — 11.2 gal. (1.5 cu. ft.)

Operation

Towel dispenser holds single-fold, multi-fold or C-fold towels with use of special adaptor. Waste receptacle insert removable by opening cabinet door.

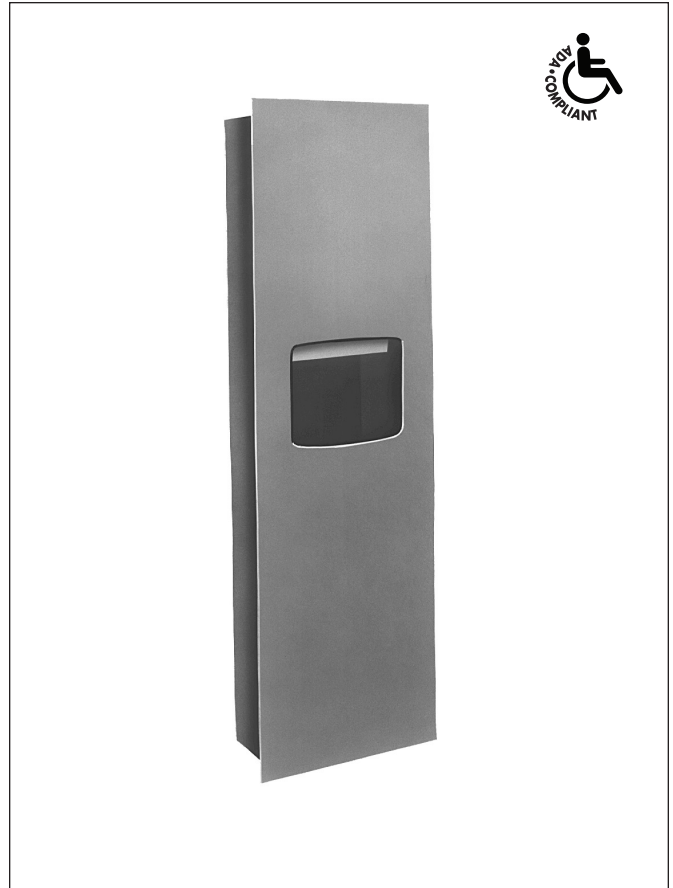
Installation

Verify all rough-in dimensions prior to installation. Recessed unit requires rough wall opening 15³/₄"W x 54⁵/₈"H x 7¹/₂"D (Semi-recessed unit only 4" deep). Secure to framing with mounting screws (included) at holes provided. Shim at screw points as required. Surface-mounted units must have holes drilled by installer.

Guide Specification

Recessed combination towel dispenser and waste receptacle shall be fabricated of heavy gauge stainless steel. Cabinet door of 5/16" thick solid laminate with full length piano hinge and secured by two latches. Towel dispenser capacity 1100 single fold, 800 multi-fold or 600 C-fold towels. Removable 11.2 gal. leakproof molded plastic insert for waste receptacle.

Overall dimensions: 17³/₈"W x 56¹/₄"H x 7³/₄"D.



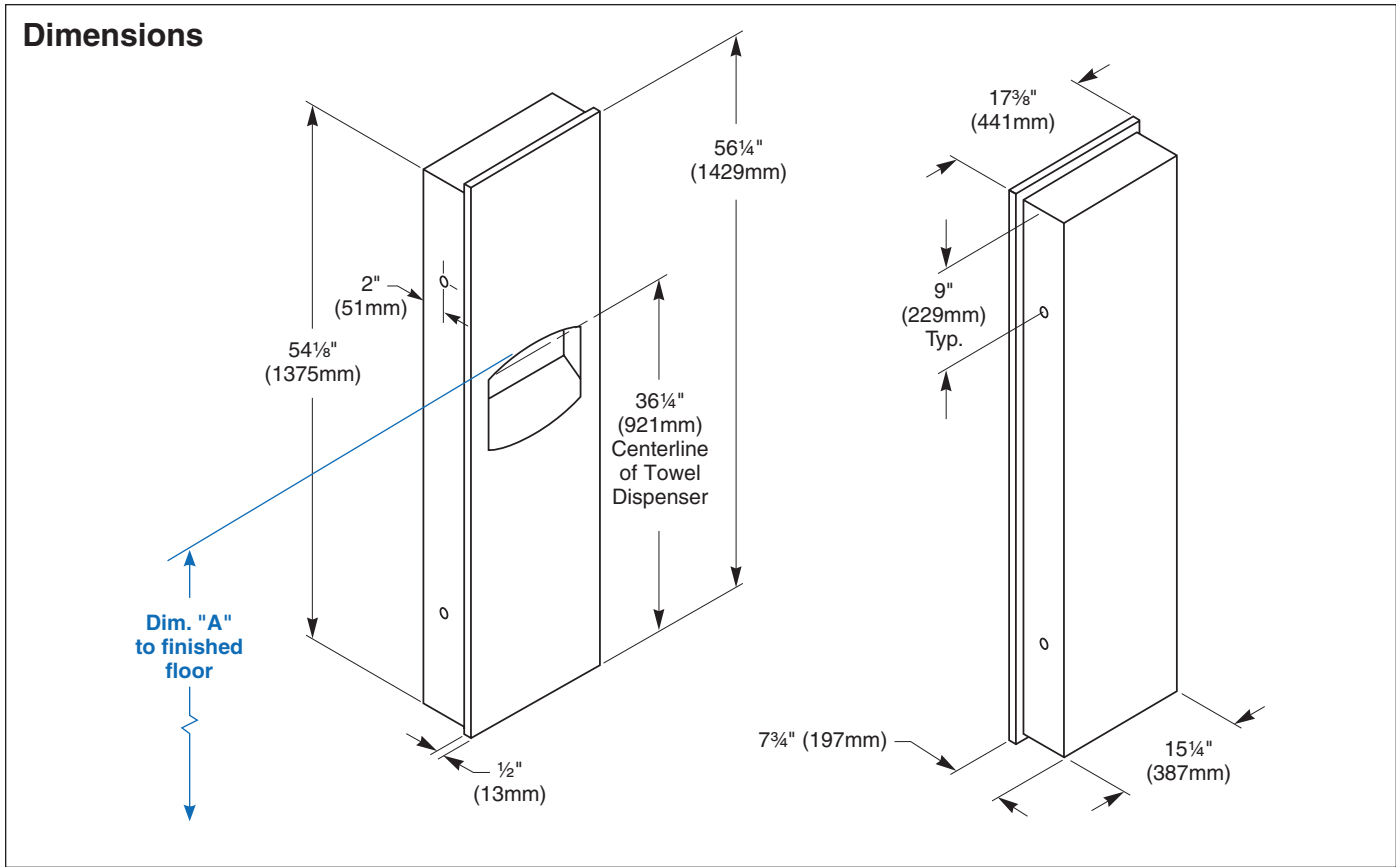
Optional Features

Feature	Suffix
<input type="checkbox"/> Two (2) tumbler locks	-15

ADA Compliant

- Consult local and national accessibility codes for proper installation guidelines.
- Conformity and compliance to local and national codes is the responsibility of the installer.

Washroom Accessories
Document No. 8075



Dim. "A" Key Surface:	For Dim. "A"	Top of Rough Wall Opening	Bottom of Rough Wall Opening
Paper towel top of opening to finished floor	48" (1219mm)	66 1/2" (1689mm)	11 7/8" (302mm)
	45" (1143mm)	63 1/2" (1613mm)	8 7/8" (225mm)
	42" (1067mm)	60 1/2" (1537mm)	5 7/8" (149mm)
	40" (1016mm)	58 1/2" (1486mm)	3 7/8" (98mm)
Rough wall opening:			
Surface Mount:	No rough opening, see overall dimensions		
Recessed:	15 3/4" (401mm) Wide x 54 5/8" (1388mm) High x 7 1/2" (191mm) Deep		
Semi-recessed:	15 3/4" (401mm) Wide x 54 5/8" (1388mm) High x 4" (102mm) Deep		

**Washroom Accessories
Document No. 8075**