

- Model 175 — Recessed *Bradex*<sup>®</sup>**
- Model 175-10 — Semi-Recessed (recesses 2"; projects 2<sup>13</sup>/<sub>32</sub>" )**
- Model 175-11 — Surface-Mounted (projects 4")**
- Full Size Mirror
- Reversible in the field

## Product Materials

**FLANGE:** 22 gauge stainless steel with exposed surfaces in architectural satin finish. One-piece seamless construction, 1" wide with 1/4" return.

**CABINET:** 26 gauge stainless steel.

**DOOR:** 22 gauge stainless steel with heavy-duty full-length piano hinge. Equipped with magnetic catches and spring-buffered rodstop.

**MIRROR:** first quality 1/4" float glass triple-silvered, electro-copper plated with baked enamel backing, guaranteed for 15 years against silver spoilage. Protected by shock-absorbing filler.

**INTERIOR SHELVES:** 22 gauge stainless steel. Four shelves — three adjustable, one fixed. Each shelf area is 60 sq. in.

- An inherent characteristic of a manufacturing process for tempered glass is distortion which may vary from mirror to mirror.

## Operation

Spring-buffered rodstop prevents door from opening beyond 90 degrees.

## Installation

Verify all rough-in dimensions prior to installation. Recessed unit requires rough wall opening 15 5/8"W x 29 1/8"H x 4"D. Secure to framing with mounting screws (included) at holes provided. Shim at screw points as required. Cabinet may be inverted for left hand door swing.

## Guide Specification

Recessed medicine cabinet consisting of mirror and storage cabinet with four shelves shall be fabricated of stainless steel with exposed surfaces in satin finish. Mirrored door with full-length piano hinge. Interior of storage cabinet to have four shelves — three adjustable and one fixed. Adjustable for right or left hand door swing.

**Overall dimensions: 17 1/8"W x 30 5/8"H x 4"D.**



## Optional Features

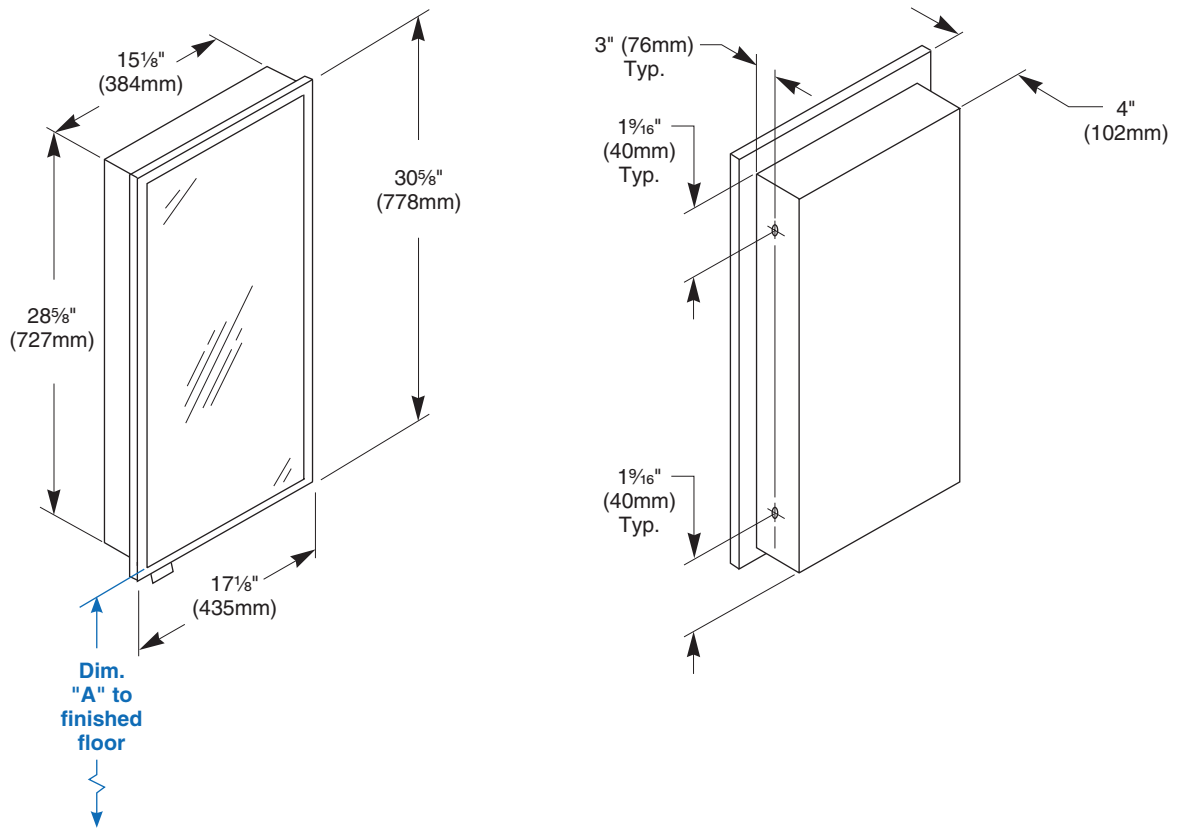
Feature	Suffix
<input type="checkbox"/> Tempered glass in lieu of float glass	-22
<input type="checkbox"/> #8 stainless steel mirror in lieu of glass	-23
<input type="checkbox"/> Satin stainless steel door in lieu of float glass	-21
<input type="checkbox"/> 430 stainless steel mirror in lieu of float glass	-75

## ADA Compliant

- Consult local and national accessibility codes for proper installation guidelines.
- Conformity and compliance to local and national codes is the responsibility of the installer.

**Washroom Accessories  
Document No. 8025**

**Dimensions**



<b>Dim. "A" Key Surface:</b>	For Dim. "A"	Top of Rough Wall Opening	Bottom of Rough Wall Opening
Mirror's bottom edge of the reflecting surface to finished floor	48" (1219mm)	77 1/4" (1962mm)	48 1/8" (1222mm)
	45" (1143mm)	74 1/4" (1886mm)	45 1/8" (1146mm)
	42" (1067mm)	71 1/4" (1810mm)	42 1/8" (1070mm)
	40" (1016mm)	69 1/4" (1759mm)	40 1/8" (1019mm)
<b>Rough wall opening:</b>			
Surface Mount:	No rough opening, see overall dimensions		
Recessed:	15 5/8" (397mm) Wide x 29 1/8" (740mm) High x 4" (102mm) Deep		
Semi-Recessed:	15 5/8" (397mm) Wide x 29 1/8" (740mm) High x 2" (51mm) Deep		

**Washroom Accessories**  
Document No. 8025