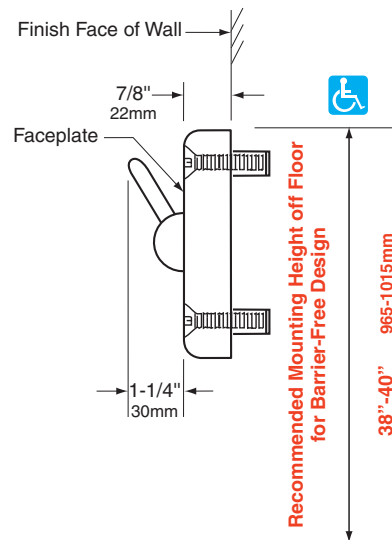
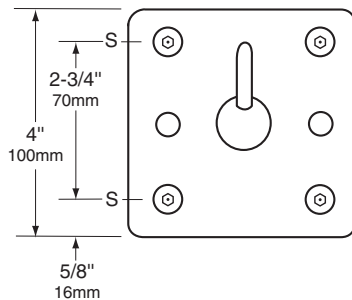




Technical Data

VANDAL-RESISTANT CLOTHES HOOK (SECURED FROM FRONT)

B-983



MATERIALS:

18-8 S, type-304 stainless steel with satin finish. Faceplate is 14-gauge (2mm). Hook snaps down for safety if excessively loaded.

INSTALLATION:

Secure unit to wall at all points indicated by an S. Unit has countersunk screw holes and is furnished with four 1/4-20 x 1 1/2" (6 x 40mm), tamper-resistant, flat-head, hex-socket, stainless steel machine screws and a security hex key for installation. Expansion shields are not furnished by manufacturer.

SPECIFICATION:

Clothes hook shall be type-304 stainless steel with satin finish. Faceplate shall be 14-gauge (2mm). Hook shall snap down for safety if excessively loaded. Unit shall be furnished with tamper-resistant mounting screws.

Clothes Hook shall be Model B-983 of Bobrick Washroom Equipment, Inc., Clifton Park, New York; Jackson, Tennessee; Los Angeles, California; Bobrick Washroom Equipment Company, Scarborough Ontario; Bobrick Washroom Equipment Pty. Ltd., Australia; and Bobrick Washroom Equipment Limited, United Kingdom.