



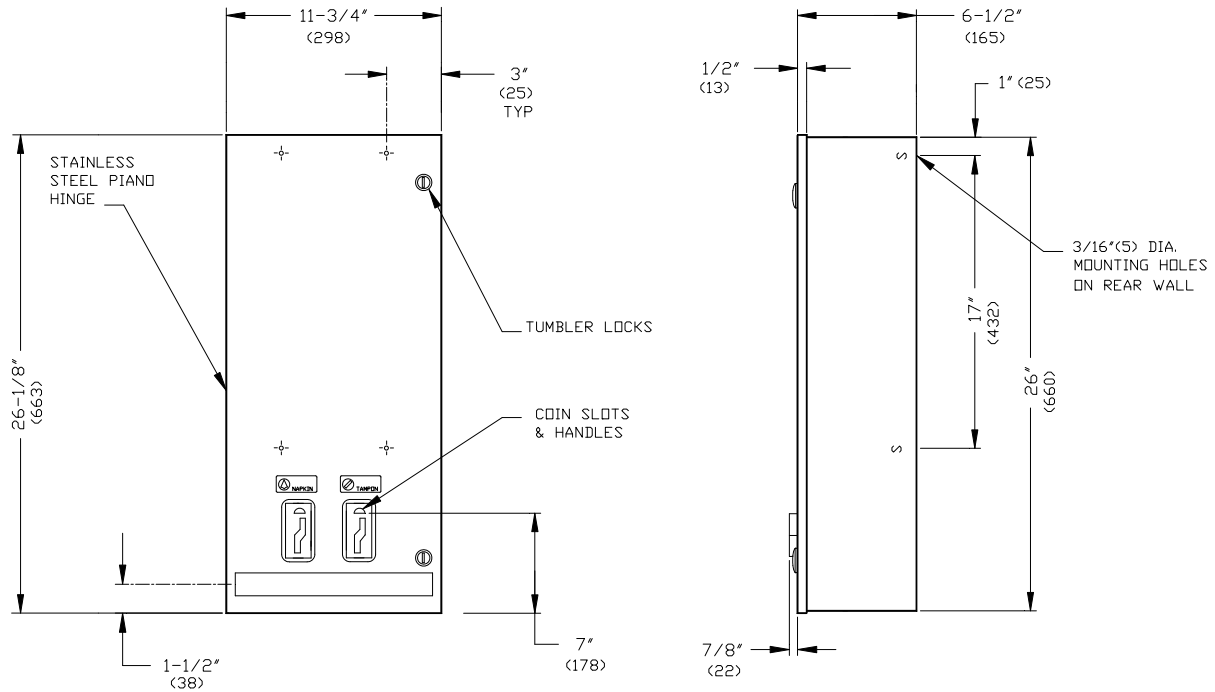
**AMERICAN SPECIALTIES, INC.**  
 441 Saw Mill River Road, NY 10701  
 (914) 476.9000 • (914) 476.0688  
 www.americanspecialties.com

**MODEL №: 0864**

**ISSUED: 01/87**

**REVISED: 02/12**

**SURFACE MOUNTED DUAL SANITARY NAPKIN AND TAMPON DISPENSER (PAGE 1/2)**



**DIMENSIONS**  
**INCH (mm)**

**SPECIFICATION**

Surface Mounted Dual Sanitary Napkin & Tampon Dispenser shall hold 30 napkins and 27 tampons of specified sizes. Door shall be 18 gauge type 304 stainless steel alloy 18-8. All exposed surfaces shall be satin finish and be protected during shipment with PVC film easily removable after installation. Cabinet shall be 22 gauge same grade stainless steel. Door shall be attached with a full length 3/16" diameter (Ø4.8) stainless steel multi-staked piano hinge and shall be held closed with two (2) tumbler locks keyed alike to other ASI washroom equipment. Internal coin-box shall be keyed differently than door locks. Dispensing mechanisms shall be fastener mounted internally to provide ability to change mechanisms for coinage denomination. Structural assembly of body and door components shall be of welded construction and have no exposed fasteners or welded seams. Weights for each feed track shall be supplied. Factory installed coin operation denomination shall be \_\_\_\_\_. (Please fill in 25¢ or 50¢; or FREE and add denomination as suffix to model № (e.g. 0864-25)).

**Surface Mounted Dual Sanitary Napkin and Tampon Dispenser shall be Model № 0864 of American Specialties Inc., 441 Saw Mill River Road, Yonkers, New York 10701-4913**

**INSTALLATION**

Mount unit on wall using four (4) № 10 self-tapping screws (by others) through concealed holes provided in cabinet rear wall. For maximum usability and compliance with ADA Accessibility Guidelines, install unit so that coin slot is between 48" (1219) maximum above finished floor (MAX AFF) and 38" (965) minimum AFF. Note that coin slot is 7" (178) above bottom of cabinet. Installer must provide adequate wall anchoring for screw mounting.



**AMERICAN SPECIALTIES, INC.**  
 441 Saw Mill River Road, NY 10701  
 (914) 476.9000 • (914) 476.0688  
 www.americanspecialties.com

**MODEL №:** 0864

**ISSUED:** 01/87

**REVISED:** 02/12

**SURFACE MOUNTED DUAL SANITARY NAPKIN AND TAMPON DISPENSER (PAGE 2/2)**

**OPERATION**

Deposit of specified coin allows operation of dispenser. Napkin and tampon dispensers operate independently. Selected product drops into vending opening after operator actuation. Indicator displays empty condition and blocks coin slot when vend product is depleted. Unit vend product supply is replenished on cycle determined by maintenance needs by opening door and manually reloading product into dispenser supply tracks. Empty indicator automatically resets upon refill. Track weights **MUST BE USED** to provide positive feed. Coins are retrieved from cash drawer opened using different key than is used to open door for service.

**NAPKINS, SINGLES, CARDBOARD-BOXED, SEMIGLOSS FINISH; CAPACITY: 30**  
**BOX SIZE: 4-1/4" x 3" x 1-1/8" (108 x 76 x 29)**

Stayfree	№ 4
Gards	№'s 247, or 147
Kotex	№'s 704, 707, 07010, 07040, 07045, 07300, 07320
Pure-Nat	№ M-4
Modess	№ 4

**TAMPONS, CYLINDER, CARDBOARD, SEMIGLOSS, CRIMPED ENDS; CAPACITY: 27**  
**TUBE SIZE: 3/4" diameter x 5-1/4" (Ø19 x 134)**

Tampax	
Modess Tampons	