



T&S BRASS AND BRONZE WORKS, INC.
 2 Saddleback Cove / P.O. Box 1088
 Travelers Rest, SC 29690

Model No.
110X

Item No.

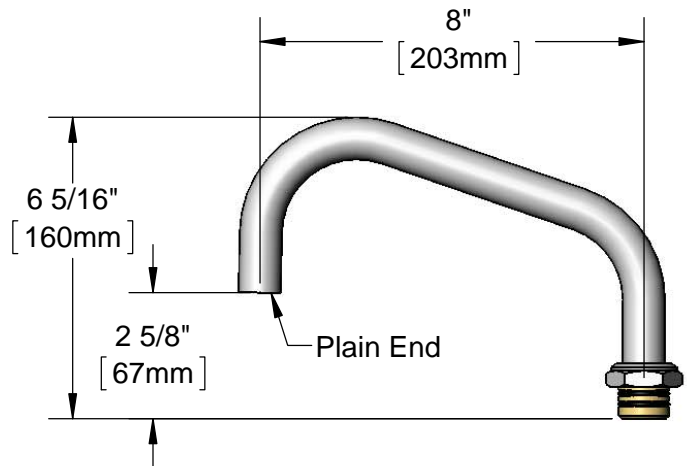
Travelers Rest, SC: 800-476-4103 • Simi Valley, CA: 800-423-0150 • Fax: 864-834-3518 • www.tsbrass.com

This Space for Architect/Engineer Approval

Job Name _____ Date _____
 Model Specified _____ Quantity _____
 Customer/Wholesaler _____
 Contractor _____
 Architect/Engineer _____



Swivel Nut Fits
 All Standard T&S
 Big-Flo Swivel
 Outlets



Product Specifications:
 8" Big-Flo Swing Nozzle w/ Plain End

Drawn KJG	Checked DMH	Approved JHB
Scale: 1:4		Date: 10/04/13



T&S BRASS AND BRONZE WORKS, INC.
 2 Saddleback Cove / P.O. Box 1088
 Travelers Rest, SC 29690

Model No.
112X

Item No.

Travelers Rest, SC: 800-476-4103 • Simi Valley, CA: 800-423-0150 • Fax: 864-834-3518 • www.tsbrass.com

This Space for Architect/Engineer Approval

Job Name _____ Date _____

Model Specified _____ Quantity _____

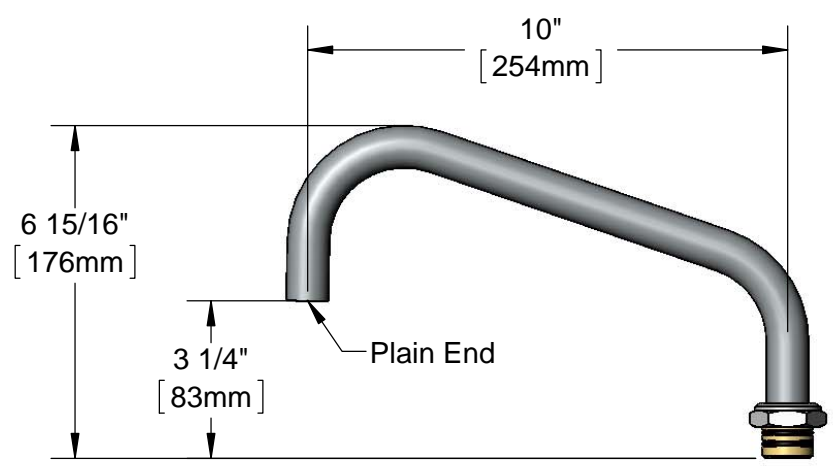
Customer/Wholesaler _____

Contractor _____

Architect/Engineer _____



Swivel Nut Fits
 All Standard T&S
 Big-Flo Swivel
 Outlets



Product Specifications:
 10" Big-Flo Swing Nozzle w/ Plain End

Drawn KJG	Checked DMH	Approved JHB
Scale: 1:4		Date: 10/04/13



T&S BRASS AND BRONZE WORKS, INC.
 2 Saddleback Cove / P.O. Box 1088
 Travelers Rest, SC 29690

Model No.
114X

Item No.

Travelers Rest, SC: 800-476-4103 • Simi Valley, CA: 800-423-0150 • Fax: 864-834-3518 • www.tsbrass.com

This Space for Architect/Engineer Approval

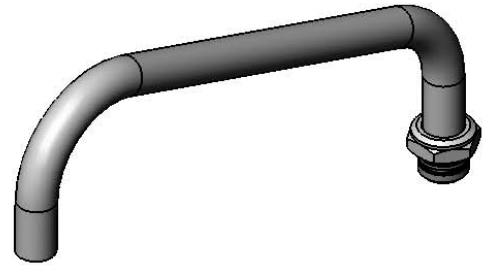
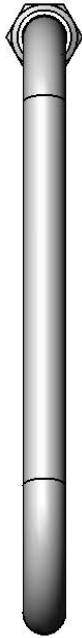
Job Name _____ Date _____

Model Specified _____ Quantity _____

Customer/Wholesaler _____

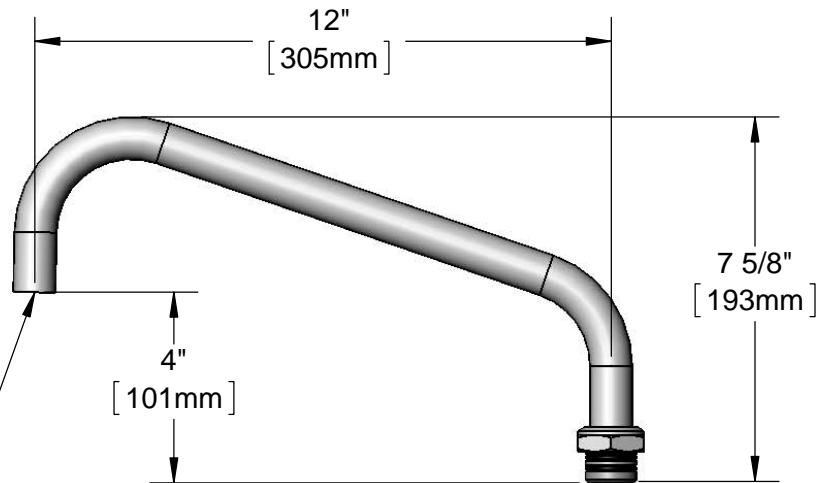
Contractor _____

Architect/Engineer _____



Swivel Nut Fits
 All Big-Flo
 Swivel Outlets

Plain End Outlet



Product Specifications:
 12" Big-Flo Swing Nozzle

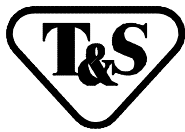
Drawn
DHL

Checked
DMH

Approved
JHB

Scale:
1:4

Date:
11/02/12



T&S BRASS AND BRONZE WORKS, INC.

2 SADDLEBACK COVE / P.O. BOX 1088 / TRAVELERS REST, SC 29690

PHONE 800-476-4103

FAX 864-834-3518



REG.#A2601
ISO #9002

Model No.

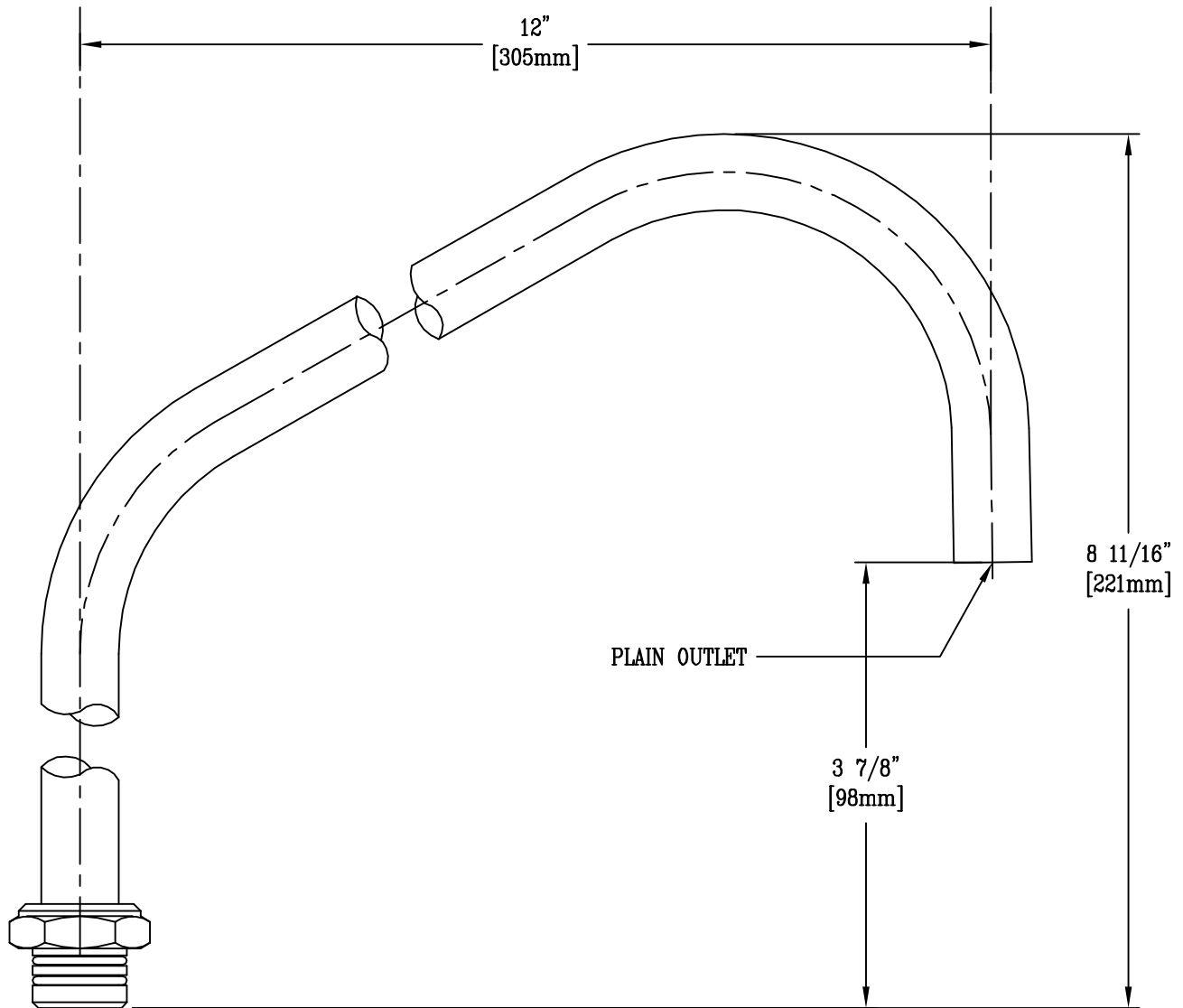
BF-0062-X

Item No.:

Job Name:

Architect/Engineer Approval:

Notes:



Product Description:

"BIG-FLO" SPOUT 12"L x 3 7/8"D

Drawn:

JKD

Approved

MVW

Checked

WJS

Scale:

6"=1'

Date:

09/05/01



T&S BRASS AND BRONZE WORKS, INC.
 2 SADDLEBACK COVE / P.O. BOX 1088 / TRAVELERS REST, SC 29690
 PHONE 800-476-4103 - FAX 864- 834-3518



REG.#A2601
 ISO #9001

Sales No.

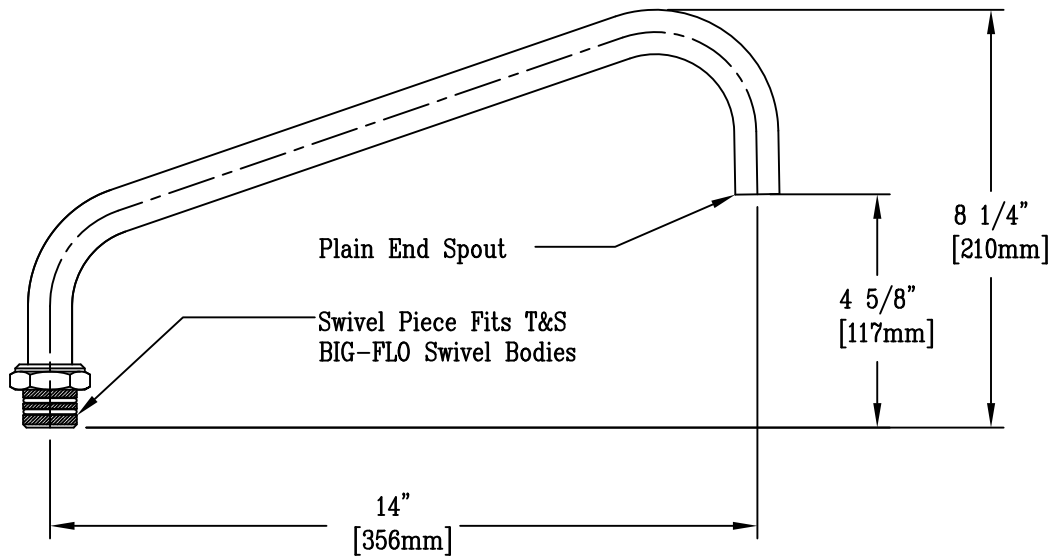
014462-40

**RELIABILITY
 BUILT IN**

Job Name:

Architect/Engineer Approval:

Notes:



Product Description:

14" BIG-FLO SWING NOZZLE

Drawn:

DHL

Checked

KJG

Scale:

1:4

Approved

JHB

Date:

05/05/11



T&S BRASS AND BRONZE WORKS, INC.
 2 Saddleback Cove / P.O. Box 1088
 Travelers Rest, SC 29690

Model No.
115X

Item No.

Travelers Rest, SC: 800-476-4103 • Simi Valley, CA: 800-423-0150 • Fax: 864-834-3518 • www.tsbrass.com

This Space for Architect/Engineer Approval

Job Name _____ Date _____

Model Specified _____ Quantity _____

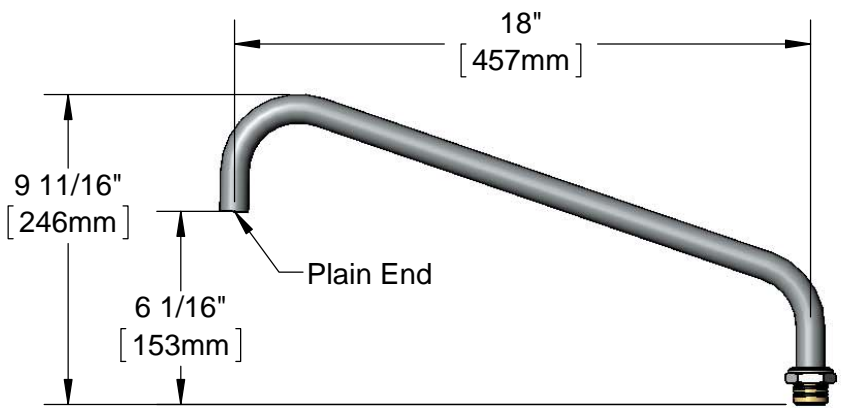
Customer/Wholesaler _____

Contractor _____

Architect/Engineer _____



Swivel Nut Fits
 All Standard T&S
 Big-Flo Swivel
 Outlets



Product Specifications:
 18" Big-Flo Swing Nozzle w/ Plain End

Drawn KJG	Checked DMH	Approved JHB
Scale: 1:6		Date: 10/04/13