



T&S BRASS AND BRONZE WORKS, INC.
 2 SADDLEBACK COVE / P.O. BOX 1088 / TRAVELERS REST, SC 29690
 PHONE 800-476-4103 - FAX 864- 834-3518



Sales No.

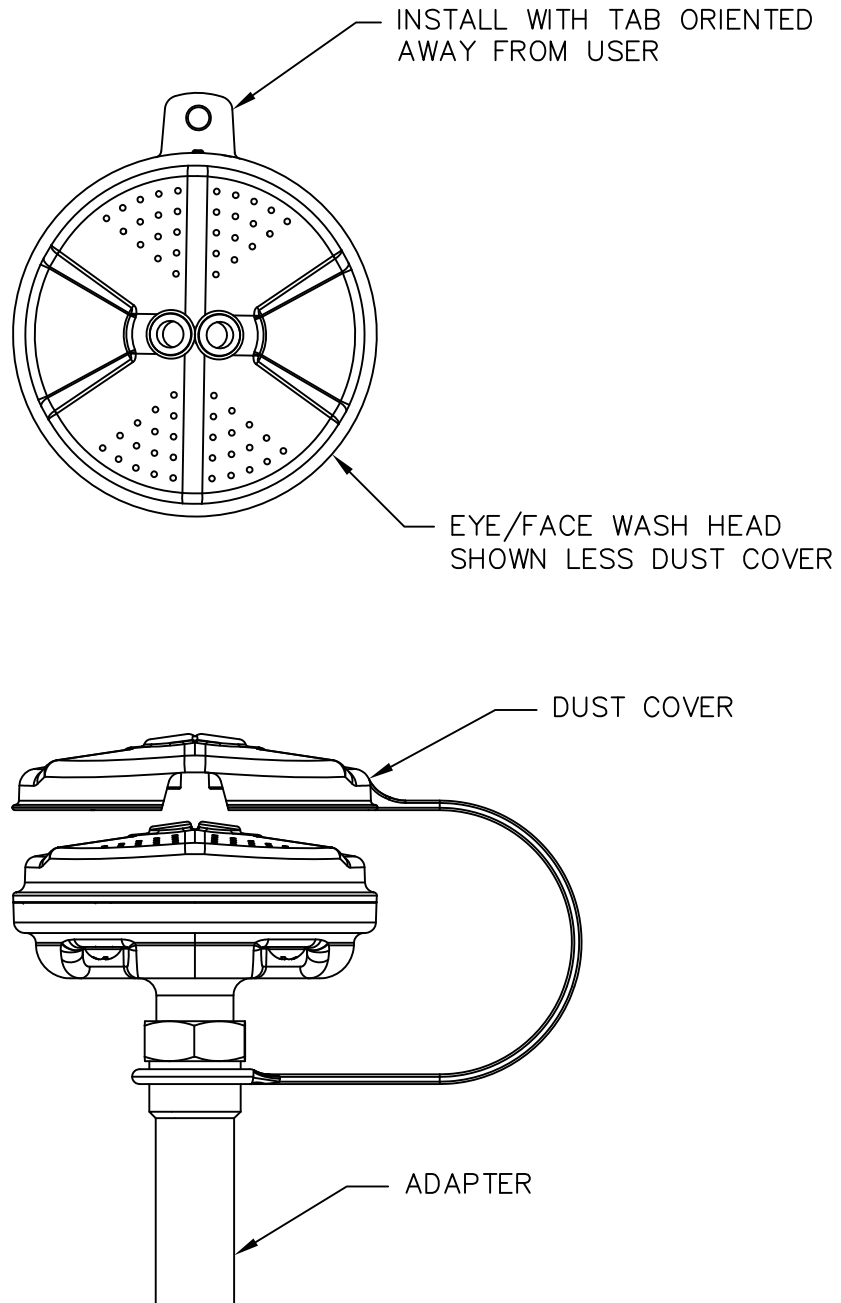
EW-SP65

**RELIABILITY
BUILT IN**

Job Name:

Architect/Engineer Approval:

Notes:



NOTES:

NOT FOR USE ON FREEZE RESISTANT EYE WASH STATIONS

Product Description:
EYE/FACE WASH HEAD

Drawn: DMH	Checked GEF	Scale: NONE
Approved JHB		Date: 12/20/10