



T&S BRASS AND BRONZE WORKS, INC.
 2 SADDLEBACK COVE / P.O. BOX 1088 / TRAVELERS REST, SC 29690
 PHONE 800-476-4103 - FAX 864- 834-3518



Sales No.

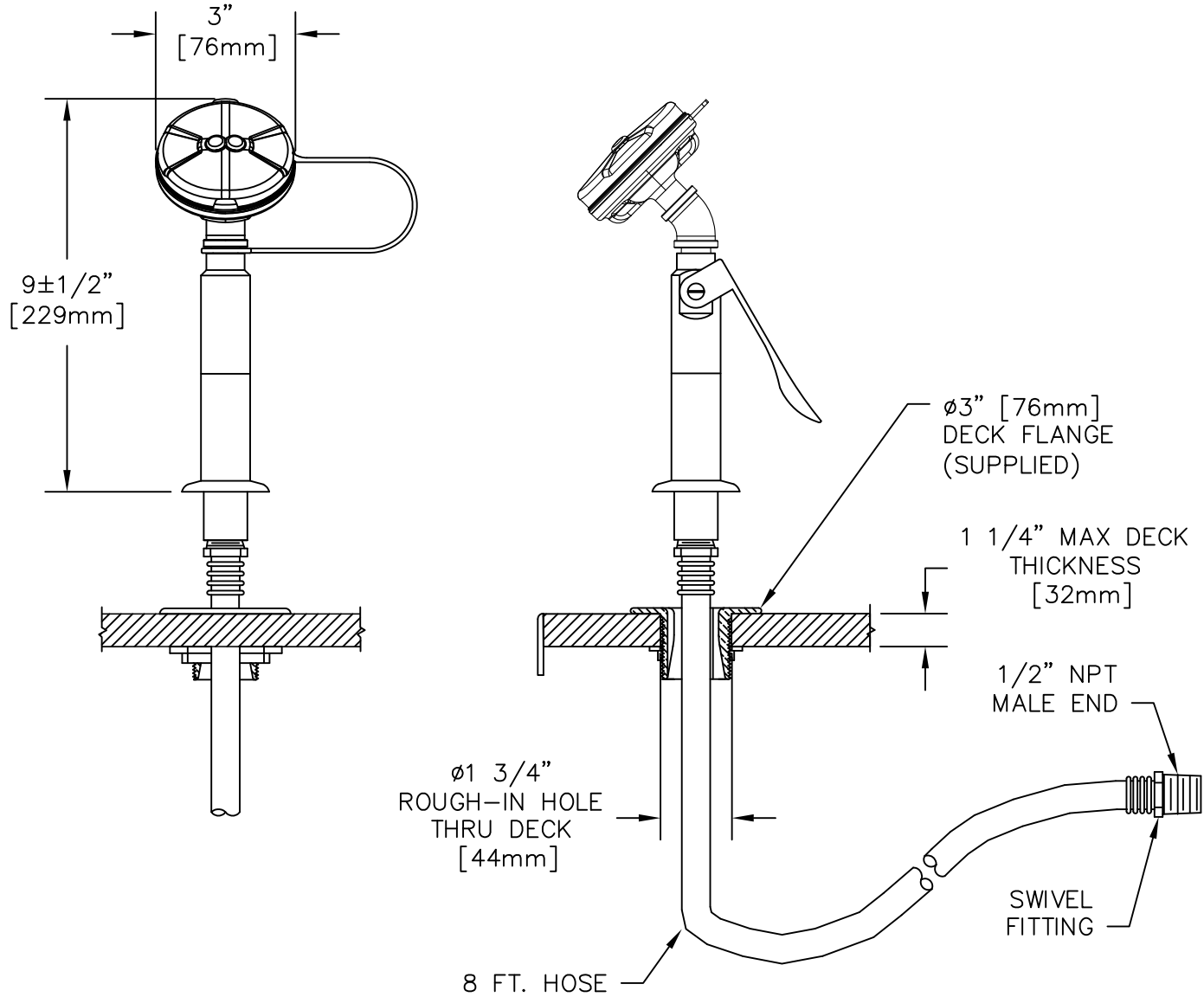
EW-8904

**RELIABILITY
BUILT IN**

Job Name:

Architect/Engineer Approval:

Notes:



NOTE:

1. BACKFLOW PREVENTION RECOMMENDED BY THE MANUFACTURER. PLEASE CONSULT LOCAL &/OR STATE CODES FOR SPECIFIC REQUIREMENTS.
2. ANSI STANDARD Z358.1 APPROVED

Product Description:

EYE/FACE WASH BODY SPRAY

Drawn:

DMH

Approved

JHB

Checked

GEF

Scale:

1:4

Date:

12/20/10