

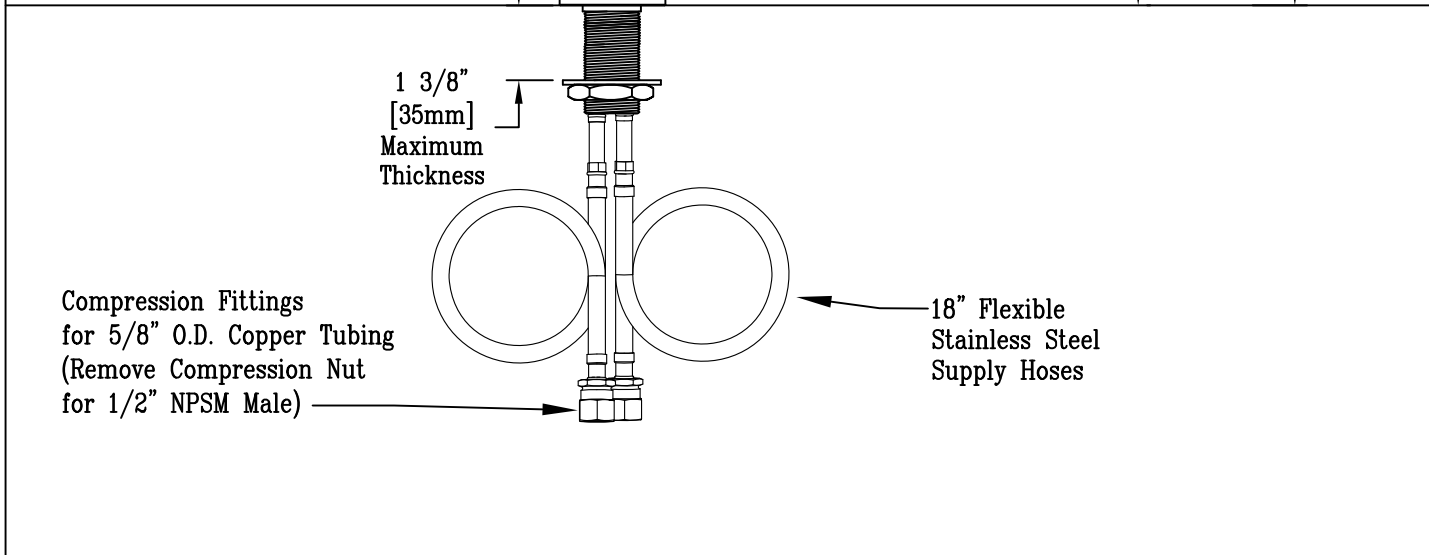
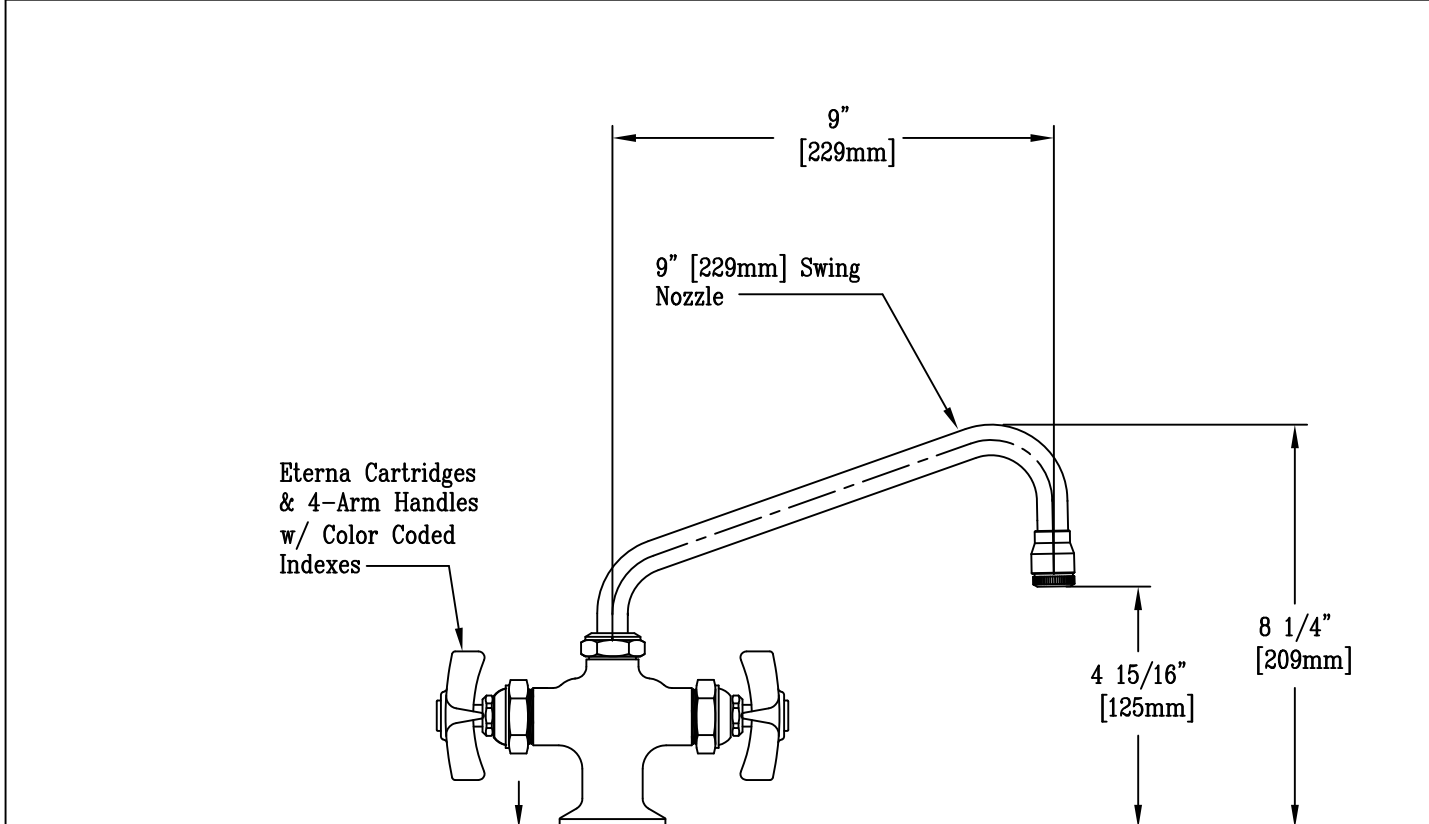


T&S BRASS AND BRONZE WORKS, INC.
 2 SADDLEBACK COVE / P.O. BOX 1088 / TRAVELERS REST, SC 29690
 PHONE 800-476-4103 - FAX 864- 834-3518

Model No.
 BL-5750-01
**RELIABILITY
 BUILT IN**

Job Name: _____ Architect/Engineer Approval: _____

Notes: _____



Rough-In Requirement:
 ø1 1/2" [38mm] Mounting Hole

Product Description: Single Hole Deck Mount Mixing Faucet, Eterna Cartridges, 9" Swing Nozzle, 4-Arm Handles & 18" Flexible Stainless Steel Supply Hoses w/ 1/2" NPT Male Inlets	Drawn: JRM	Checked DHL	Scale: 1 : 4
	Approved JHB		Date: 01/09/15