



**T&S BRASS AND BRONZE WORKS, INC.**  
 2 Saddleback Cove / P.O. Box 1088  
 Travelers Rest, SC 29690



REG. #A2601  
 ISO #9001

Model No.  
**BL-5740-LN**

Item No.

Travelers Rest, SC: 800-476-4103 Simi Valley, CA: 800-423-0150 Fax: 864-834-3518 www.tsbrass.com

This Space for Architect/Engineer Approval

Job Name \_\_\_\_\_ Date \_\_\_\_\_

Model Specified \_\_\_\_\_ Quantity \_\_\_\_\_

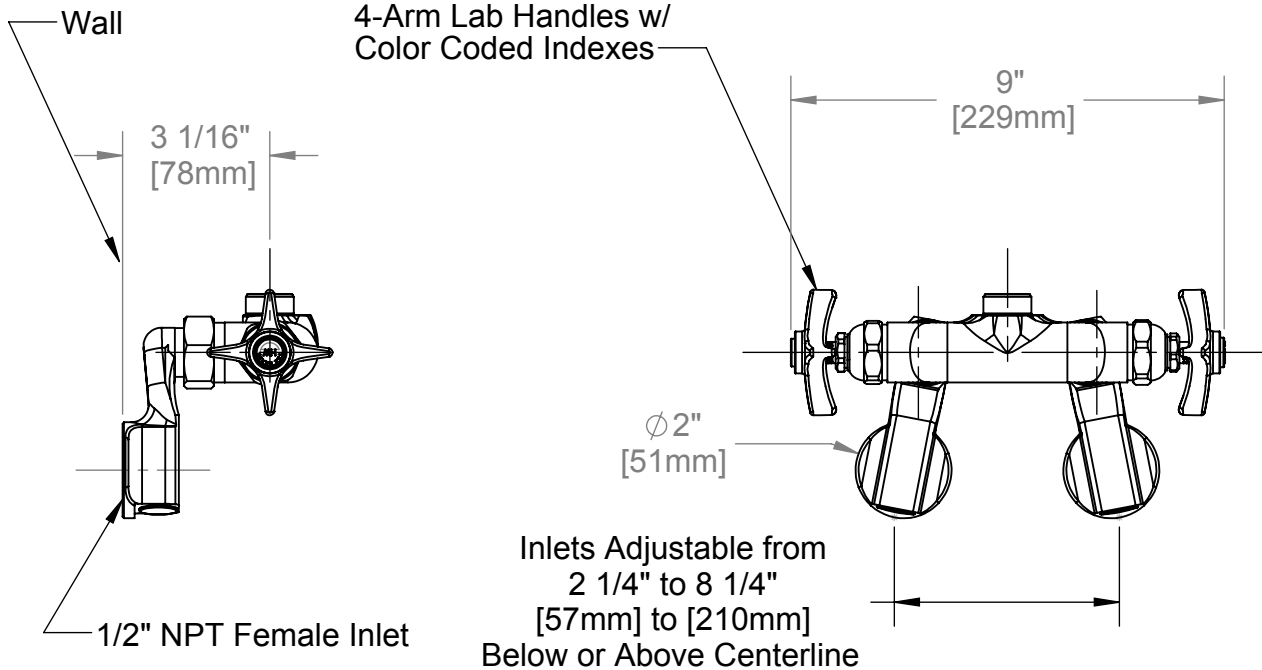
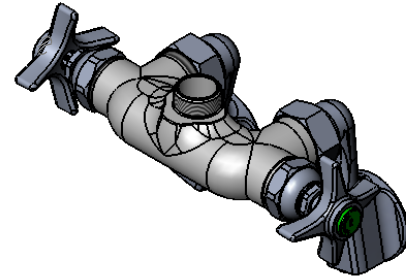
Customer/Wholesaler \_\_\_\_\_

Contractor \_\_\_\_\_

Architect/Engineer \_\_\_\_\_



**ADA Compliant**



Product Specifications:

**Wall Mount Polish Chrome Mixing Faucet  
 w/ Adjustable Inlets & 4-Arm Handles  
 Less Nozzle**

Drawn  
 ARH

Checked  
 DHL

Approved  
 JHB

Scale:

1:4

Date:

12/20/07



# T&S BRASS AND BRONZE WORKS, INC.

2 Saddleback Cove / P.O. Box 1088  
Travelers Rest, SC 29690



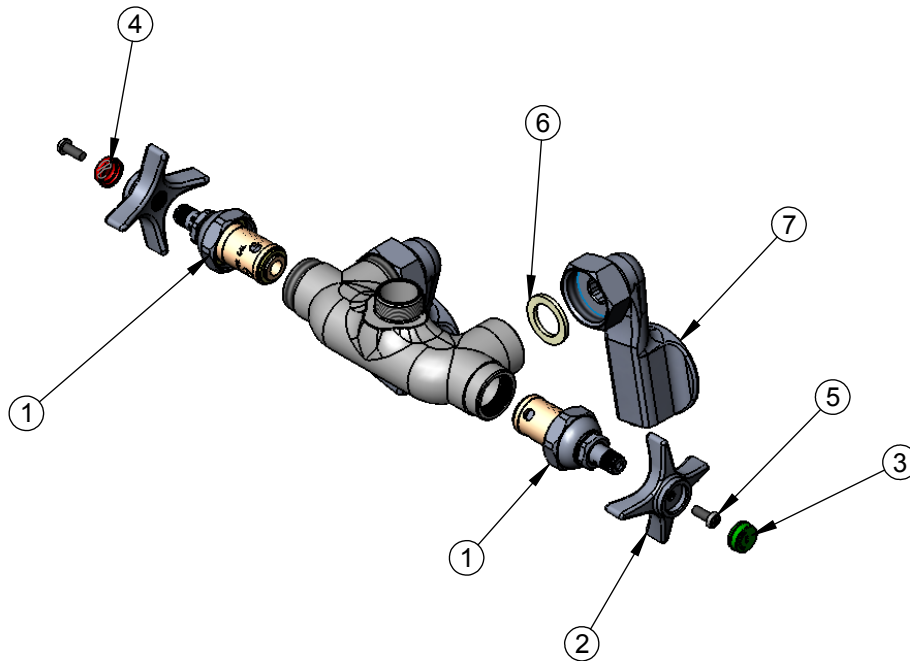
REG. #A2601  
ISO #9001

Model No.  
**BL-5740-LN**

Item No.

Travelers Rest, SC: 800-476-4103 Simi Valley, CA: 800-423-0150 Fax: 864-834-3518 www.tsbrass.com

ITEM NO.	SALES NO.	DESCRIPTION
1	005960-40	Eterna Spindle Asm, Hot
2	000059-40	4-Arm Lab Handle
3	001191-45	Cap, Index, Green, Cold Water
4	001194-45	Red HW Index
5	000925-45	Lab Handle Screw
6	001019-45	Washer, Coupling Nut
7	00GG	Flange Assembly, 1/2" NPT, Adjustable



Product Specifications:

Wall Mount Polish Chrome Mixing Faucet  
w/ Adjustable Inlets & 4-Arm Handles  
Less Nozzle

Drawn <b>ARH</b>	Checked <b>DHL</b>	Approved <b>JHB</b>
Scale: <b>1:4</b>		Date: <b>12/20/07</b>