



**T&S BRASS AND BRONZE WORKS, INC.**  
 2 Saddleback Cove / P.O. Box 1088  
 Travelers Rest, SC 29690

Model No.  
**B-TEE-EZK**

Item No.

Travelers Rest, SC: 800-476-4103 • Simi Valley, CA: 800-423-0150 • Fax: 864-834-3518 • www.tsbrass.com



This Space for Architect/Engineer Approval

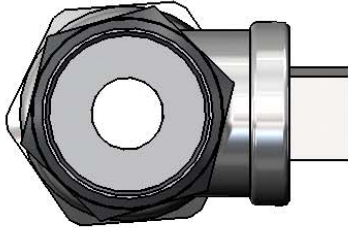
Job Name \_\_\_\_\_ Date \_\_\_\_\_

Model Specified \_\_\_\_\_ Quantity \_\_\_\_\_

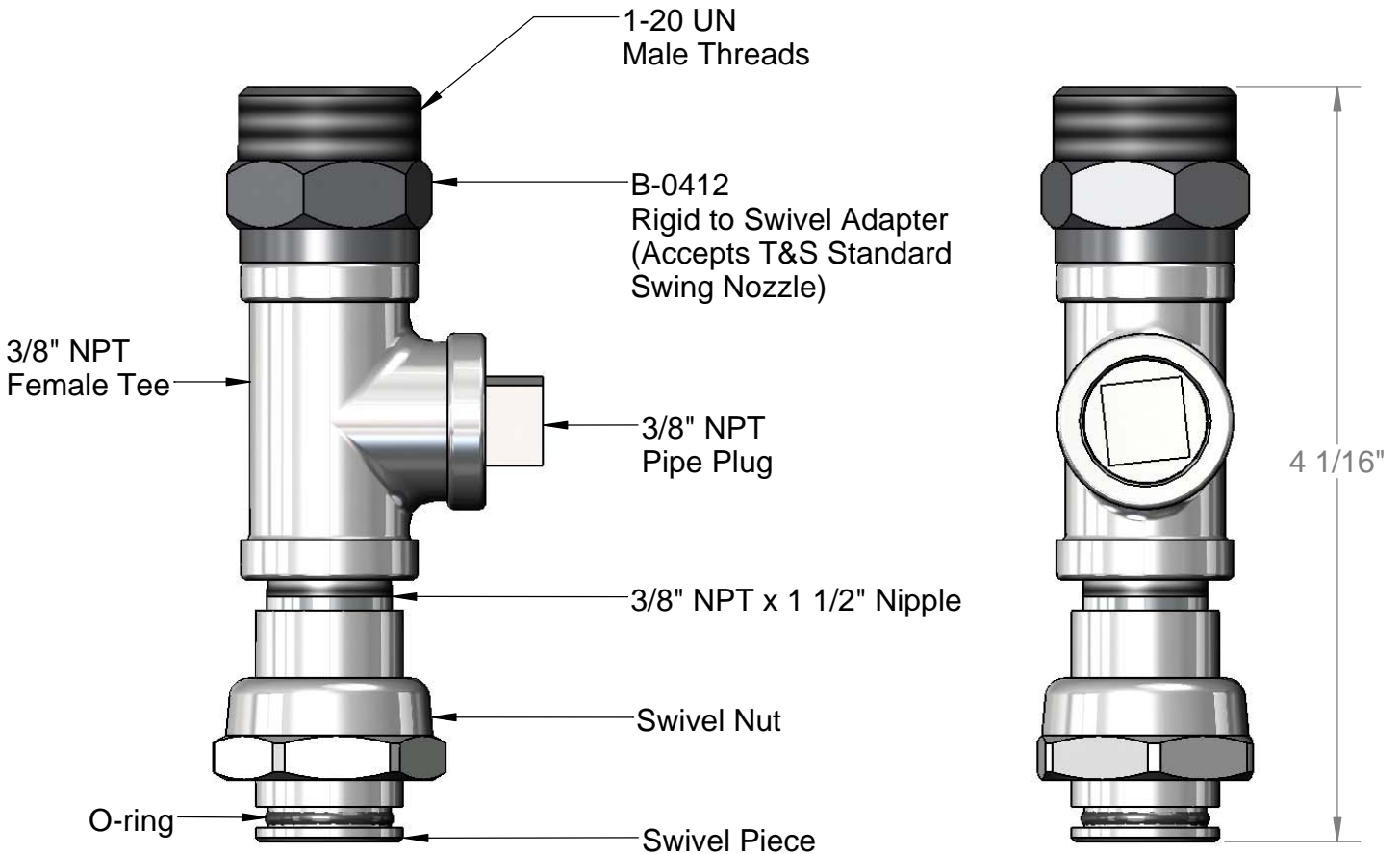
Customer/Wholesaler \_\_\_\_\_

Contractor \_\_\_\_\_

Architect/Engineer \_\_\_\_\_



Note: Swivel to Rigid Star Washer Included



Product Specifications:

Swivel Tee Assembly (Chrome Plated)

Drawn <b>DHL</b>	Checked <b>DMH</b>	Approved <b>JHB</b>
Scale: <b>1:1</b>		Date: <b>08/30/13</b>