

**T&S BRASS AND BRONZE WORKS, INC.**  
 2 Saddleback Cove / P.O. Box 1088  
 Travelers Rest, SC 29690

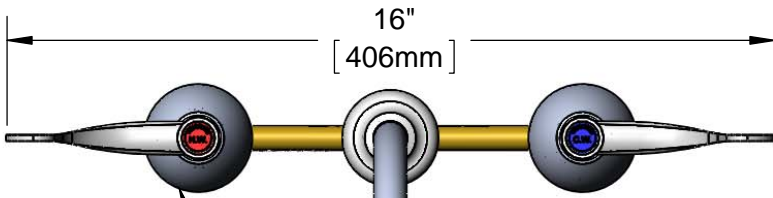
Model No.  
**B-2870**

Item No.

Travelers Rest, SC: 800-476-4103 • Simi Valley, CA: 800-423-0150 • Fax: 864-834-3518 • www.tsbrass.com

This Space for Architect/Engineer Approval

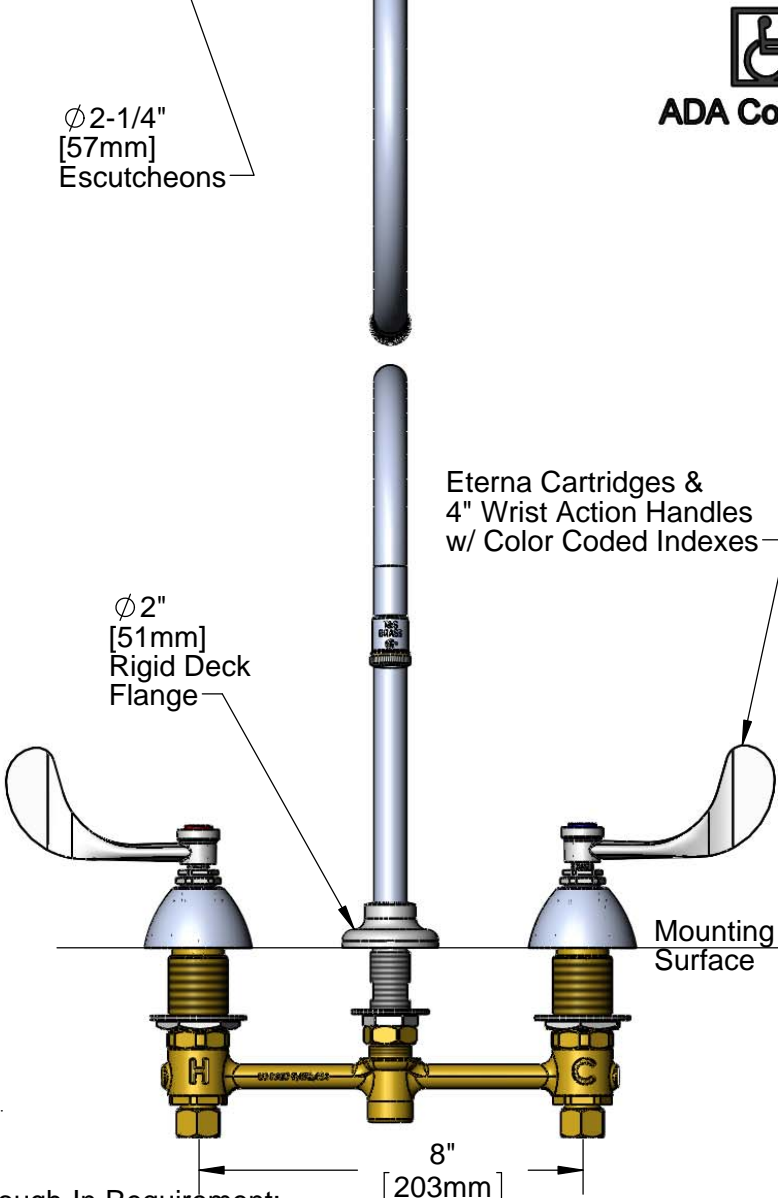
Job Name \_\_\_\_\_ Date \_\_\_\_\_  
 Model Specified \_\_\_\_\_ Quantity \_\_\_\_\_  
 Customer/Wholesaler \_\_\_\_\_  
 Contractor \_\_\_\_\_  
 Architect/Engineer \_\_\_\_\_



Ø2-1/4"  
 [57mm]  
 Escutcheons



**ADA Compliant**



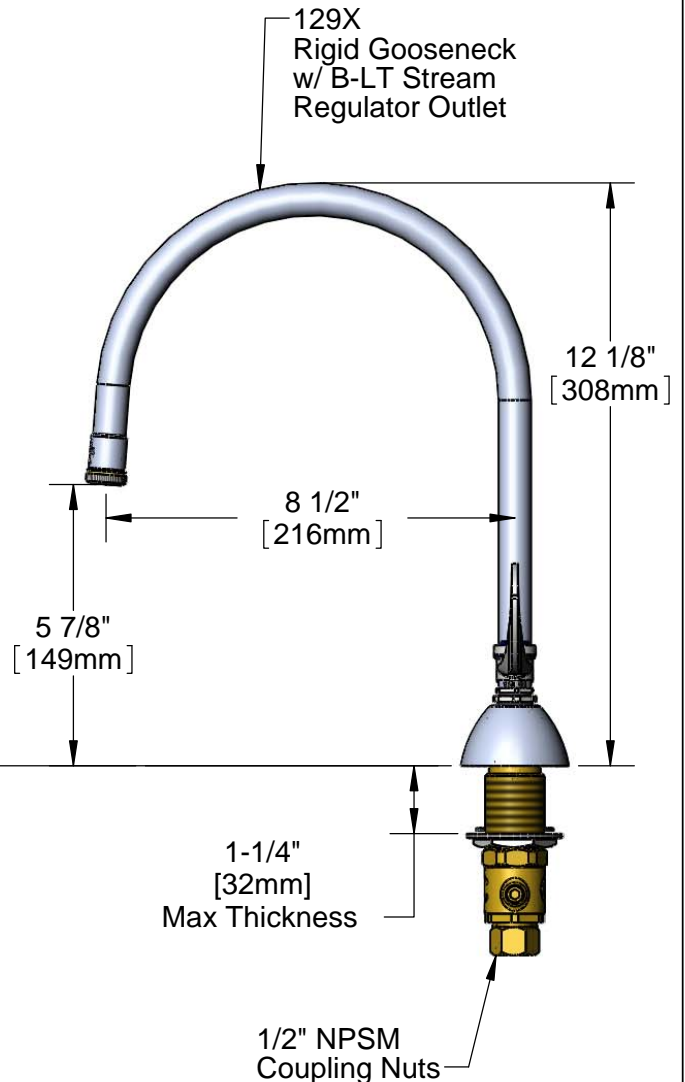
Eterna Cartridges &  
 4" Wrist Action Handles  
 w/ Color Coded Indexes

Ø2"  
 [51mm]  
 Rigid Deck  
 Flange

Mounting  
 Surface

8"  
 [203mm]

Rough-In Requirement:  
 Ø1" [25mm] for Center Shank  
 Ø1-1/2" [38mm] for Hot/Cold Side



129X  
 Rigid Gooseneck  
 w/ B-LT Stream  
 Regulator Outlet

12 1/8"  
 [308mm]

8 1/2"  
 [216mm]

5 7/8"  
 [149mm]

1-1/4"  
 [32mm]  
 Max Thickness

1/2" NPSM  
 Coupling Nuts

Product Specifications:  
 EasyInstall Faucet w/ 4" Wrist Action Handles, Eterna Cartridges,  
 8" Inlet Centers & Rigid Gooseneck w/ B-LT Stream Regulator Outlet

Drawn <b>JRM</b>	Checked <b>DMH</b>	Approved <b>JHB</b>
---------------------	-----------------------	------------------------

Scale: <b>1:4</b>	Date: <b>06/21/12</b>
----------------------	--------------------------



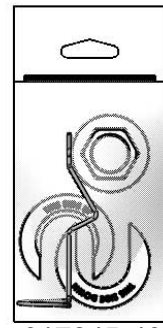
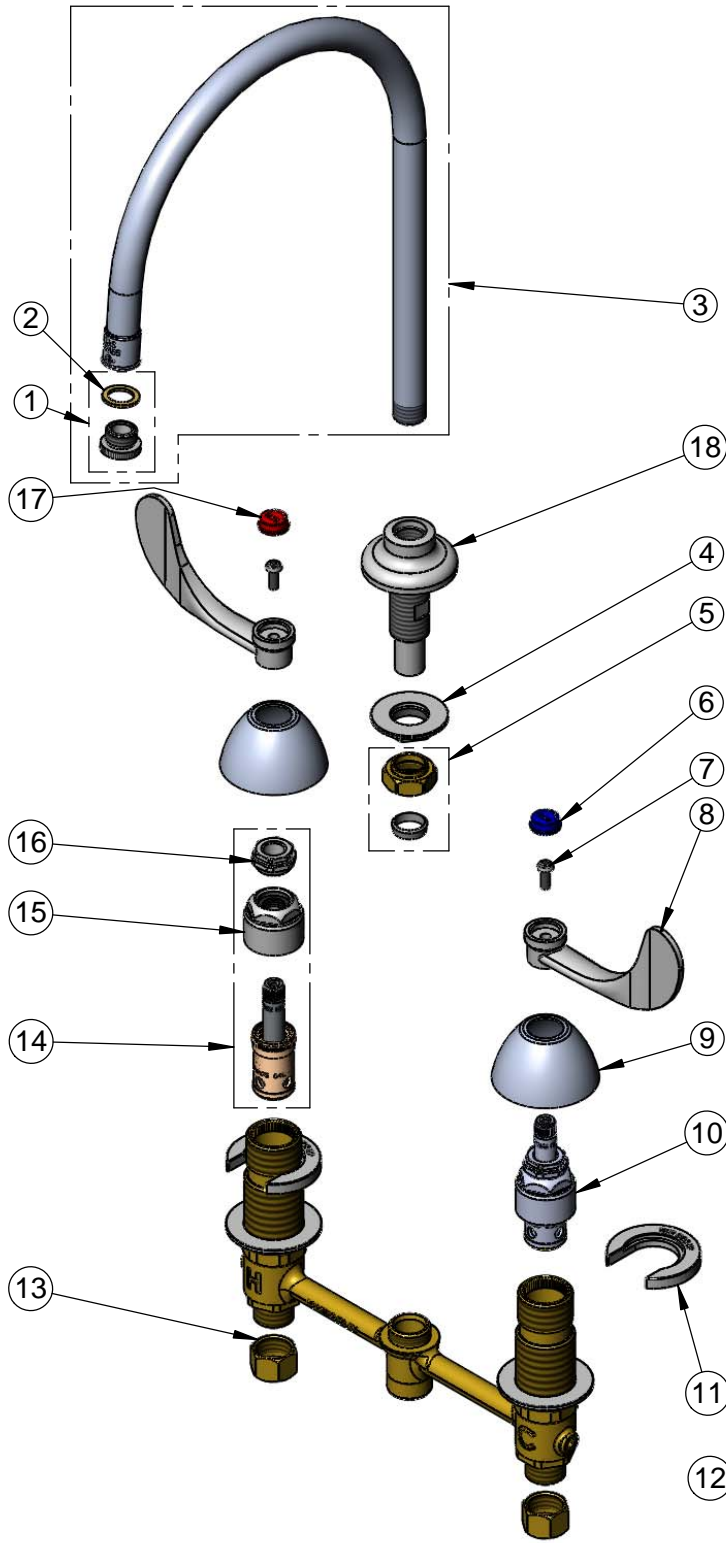
**T&S BRASS AND BRONZE WORKS, INC.**  
 2 Saddleback Cove / P.O. Box 1088  
 Travelers Rest, SC 29690

Model No.  
**B-2870**

Item No.

Travelers Rest, SC: 800-476-4103 • Simi Valley, CA: 800-423-0150 • Fax: 864-834-3518 • www.tsbrass.com

ITEM NO.	SALES NO.	DESCRIPTION
1	B-LT	Stream Regulator Outlet
2	001043-45	Washer
3	129X	Rigid Gooseneck w/B-LT
4	016742-45	Center Flange Nut
5	016745-45	Compression Nut & Fitting
6	001686-45	Blue CW Index
7	000925-45	Lab Handle Screw
8	B-WH4	4" Wrist Action Handle
9	001257-40	Bell Escutcheon
10	016752-40	EasyInstall CWS LTC Eterna (Teflon)
11	016749-45	Sidebody C-Washer
12	016777-45	CWS Hanger
13	000958-20	Coupling Nut
14	016753-40	EasyInstall CWS RTC Eterna (Teflon)
15	016743-25	CWS Bonnet Assembly
16	009002-25	Packing Nut Assembly
17	001194-45	Red HW Index
18	016847-40	EasyInstall CWS Rigid Center Shank



017245-40  
 Installation Repair Kit  
 Includes #4, (2)#11, & #12

Product Specifications:  
 EasyInstall Faucet w/ 4" Wrist Action Handles, Eterna Cartridges,  
 8" Inlet Centers & Rigid Gooseneck w/ B-LT Stream Regulator Outlet

Drawn <b>JRM</b>	Checked <b>DMH</b>	Approved <b>JHB</b>
Scale: <b>NTS</b>		Date: <b>06/21/12</b>