



Architect/Engineering Specifications:

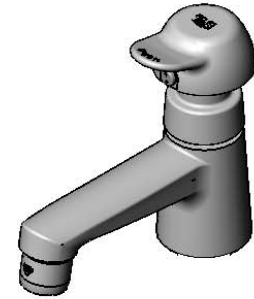
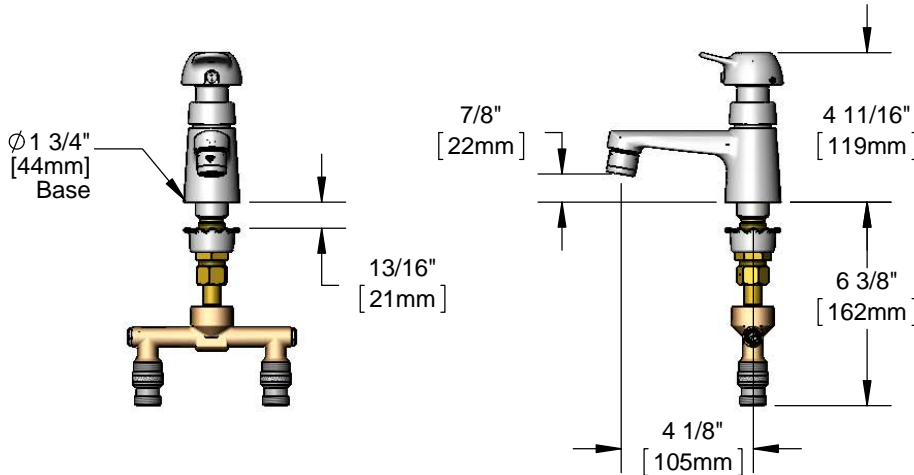
Single hole single temperature, deck mount faucet with polished chrome plated brass body, 2.2 GPM aerator, metering cartridge, blank pivot action handle, 4" spreader unit with volume controls and check valves with 1/2" BSP inlets. Certified to ASME A112.18.1/CSA B125.1, NSF 61-Section 9 and NSF 372. Meets ADA ANSI/ICC A117.1 requirements.

Job Name _____

Model Specified _____ Quantity _____

Variations Specified _____

Date _____



Features & Benefits:

- Single hole single temperature deck mount faucet with polished chrome plated brass body
- 2.2 GPM aerator, Series 2 (B-0199-02)
- Metering cartridge
- Adjustable metering cycle, 10 to 30 seconds
- Blank pivot action handle w/ vandal resistant screw
- 4" spreader unit w/ volume controls
- Check valves w/ 1/2" BSP male inlets
- Material: Polished chrome plated brass body, chrome plated metal handle & brass spreader

Product Compliance:

- ASME A112.18.1 / CSA B125.1
- NSF 61 - Section 9
- NSF 372 (Low Lead Content)
- ANSI A117.1 (ADA)

Warranty: One Year (Limited)

Performance Data:

- Pressure: 20 - 125 psi
- Temperature: 40°F - 140°F
- Flow Rate: 2.2 GPM @ 60 psi
- Water Consumption: @ 10 sec = .37 gal
@ 15 sec = .55 gal



ADA Compliant

Optional Outlets (Series 2 / VR Series 7)

GPM	Aerated	Non-Aerated (Laminar)	VR Aerated	VR Non-Aerated (VR Laminar)
0.35	N/A	<input type="checkbox"/> B-0199-02-N035	N/A	<input type="checkbox"/> B-0199-07-N035
0.5	N/A	<input type="checkbox"/> B-0199-02-N05	N/A	<input type="checkbox"/> B-0199-07-N05
1.0	<input type="checkbox"/> B-0199-02-F10	N/A	<input type="checkbox"/> B-0199-07-F10	N/A
1.5	<input type="checkbox"/> B-0199-02-WS	N/A	<input type="checkbox"/> B-0199-07-WS	N/A
2.2	Standard	N/A	<input type="checkbox"/> B-0199-07	N/A

Optional Cartridges

- Push Button Metering
- Pivot Action Metering (Standard)
- Wrist Action Metering

