



T&S BRASS AND BRONZE WORKS, INC.

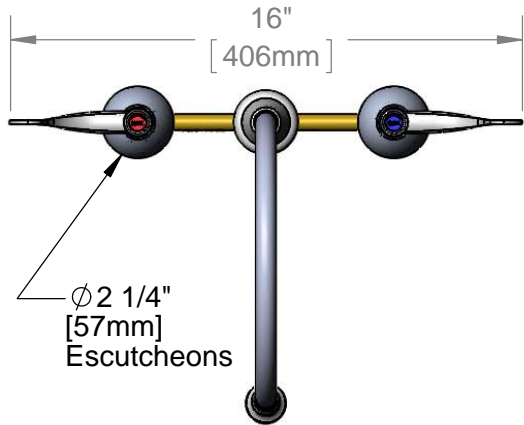
2 Saddleback Cove / P.O. Box 1088
Travelers Rest, SC 29690

Model No.

B-2347

Item No.

Travelers Rest, SC: 800-476-4103 • Simi Valley, CA: 800-423-0150 • Fax: 864-834-3518 • www.tsbrass.com



This Space for Architect/Engineer Approval

Job Name _____ Date _____

Model Specified _____ Quantity _____

Customer/Wholesaler _____

Contractor _____

Architect/Engineer _____

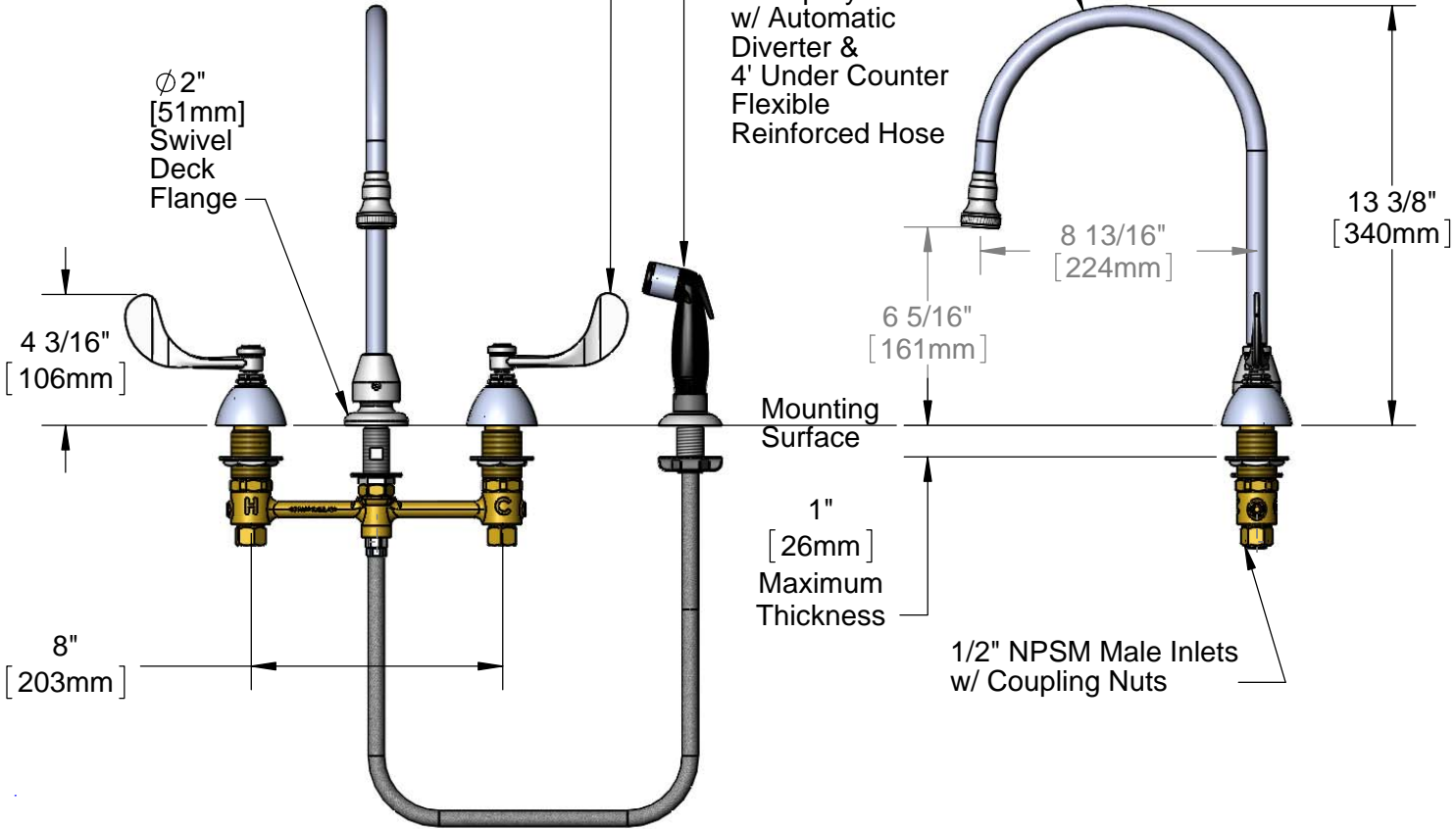


ADA Compliant

Swivel Gooseneck w/
B-0103
Rosespray Outlet

Eterna Cartridges &
4" Wrist Action Handles
w/ Color Coded Indexes

Black & Chrome
Sidespray
w/ Automatic
Diverter &
4' Under Counter
Flexible
Reinforced Hose



Rough-In Requirement:
 $\phi 1$ " [25mm] for Center Shank
 $\phi 1 \frac{1}{2}$ " [38mm] for Hot/Cold Side

Product Specifications:
8" Deck Mount EasyInstall Mixing Faucet w/ 4' Sidespray, Eterna Cartridges, 4" Wrist Action Handles, Gooseneck w/ Rosespray Outlet & 1/2" NPSM Male Inlets w/ Coupling Nuts

Product Compliance:
ASME A112.18.1 / CSA B125.1
NSF 61 - Section 9
NSF 372 (Low Lead Content)
ANSI A117.1 (ADA)

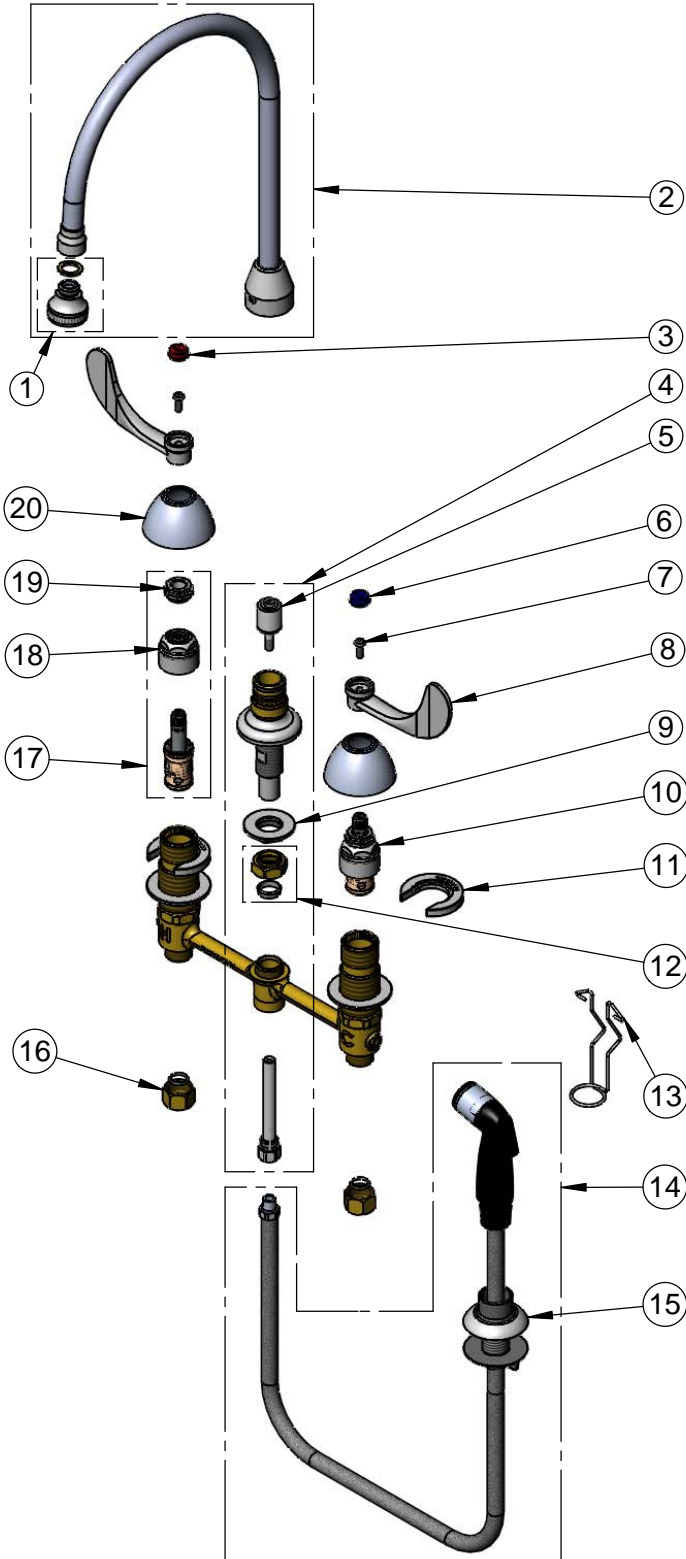


T&S BRASS AND BRONZE WORKS, INC.
 2 Saddleback Cove / P.O. Box 1088
 Travelers Rest, SC 29690

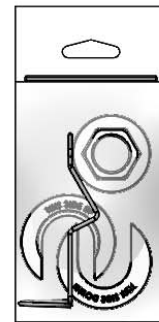
Model No.
B-2347

Item No.

Travelers Rest, SC: 800-476-4103 • Simi Valley, CA: 800-423-0150 • Fax: 864-834-3518 • www.tsbrass.com



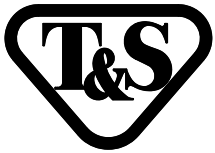
ITEM NO.	SALES NO.	DESCRIPTION
1	B-0103	Rosespray Outlet
2	009436-40	Gooseneck w/ Rosespray Outlet
3	001194-45	Red Index - HW
4	017208-40	Center Body Diverter
5	002338-45	Diverter
6	001686-45	Blue Index - CW
7	000925-45	Lab Handle Screw
8	B-WH4	4" Wrist Action Handle
9	016742-45	Center Flange Nut
10	016752-40	EasyInstall CWS LTC Eterna (Teflon)
11	016749-45	C-Washer
12	016745-45	Compression Nut & Fitting
13	016777-45	CWS Hanger
14	001495-45	4' Side Spray w/ Hose Guide
15	001496-45	Hose Guide
16	000958-20	Coupling Nut
17	016753-40	EasyInstall CWS RTC Eterna (Teflon)
18	016743-25	CWS Bonnet
19	009002-25	Packing
20	001257-40	Bell Escutcheon



017245-40
 Installation Repair Kit
 Includes #9, (2)#11, & #13

Product Specifications:
 8" Deck Mount EasyInstall Mixing Faucet w/ 4' Sidespray, Eterna Cartridges, 4" Wrist Action Handles, Gooseneck w/ Rosespray Outlet & 1/2" NPSM Male Inlets w/ Coupling Nuts

Product Compliance:
 ASME A112.18.1 / CSA B125.1
 NSF 61 - Section 9
 NSF 372 (Low Lead Content)
 ANSI A117.1 (ADA)



T&S BRASS AND BRONZE WORKS, INC.

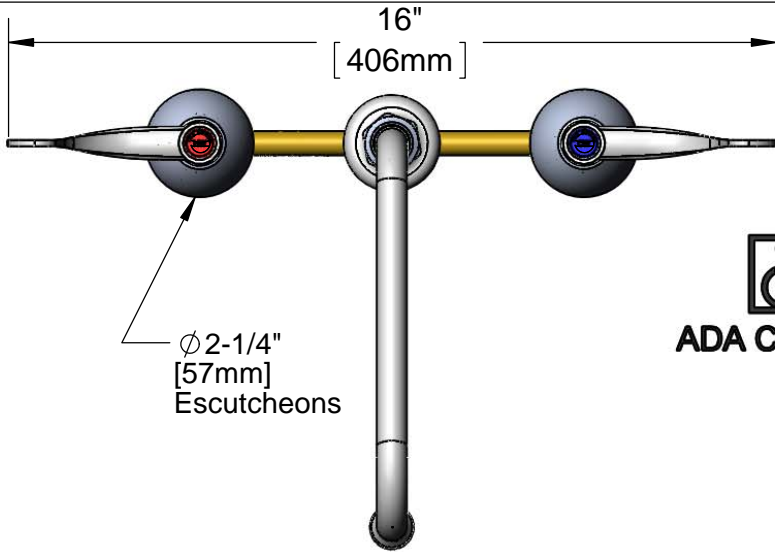
2 Saddleback Cove / P.O. Box 1088
Travelers Rest, SC 29690

Model No.

B-2347-01

Item No.

Travelers Rest, SC: 800-476-4103 • Simi Valley, CA: 800-423-0150 • Fax: 864-834-3518 • www.tsbrass.com



This Space for Architect/Engineer Approval

Job Name _____ Date _____

Model Specified _____ Quantity _____

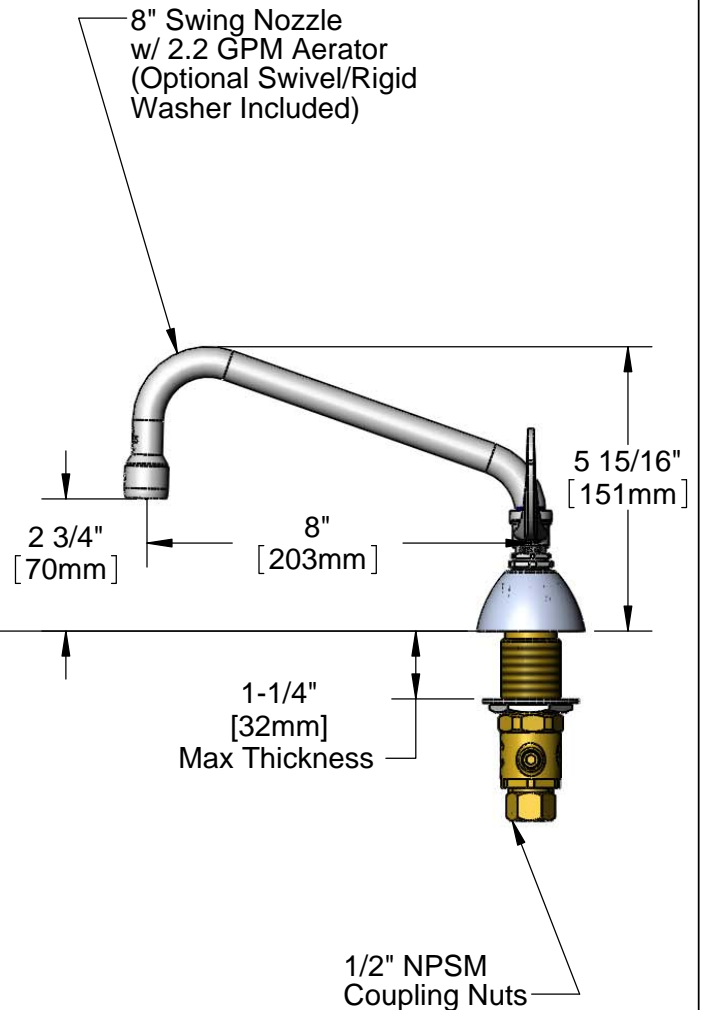
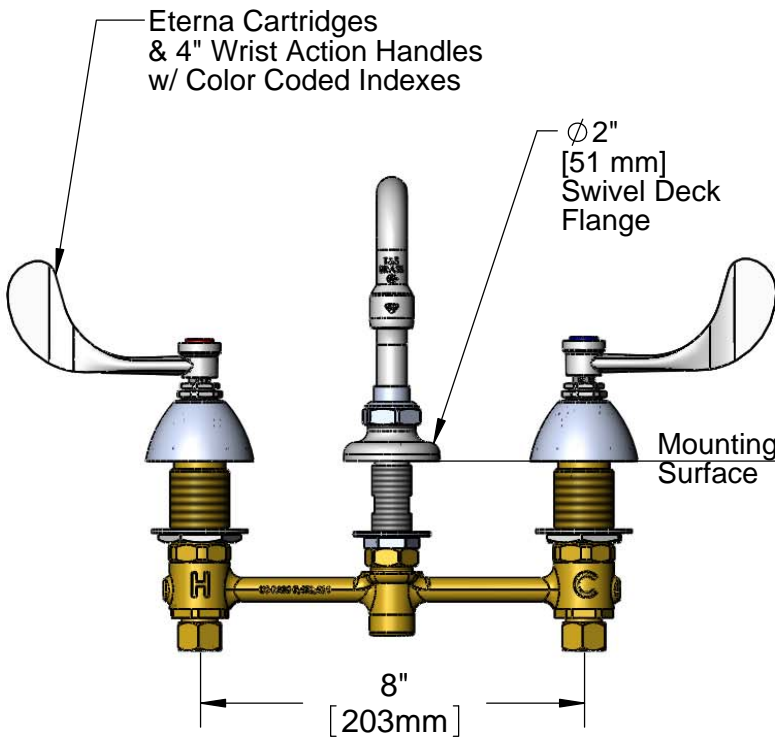
Customer/Wholesaler _____

Contractor _____

Architect/Engineer _____



ADA Compliant



Rough-In Requirement:

Ø 1" [25mm] for Center Shank

Ø 1-1/2" [38mm] for Hot/Cold Side

Product Specifications:

EasyInstall Faucet w/ 4" Wrist Action Handles, Eterna Cartridges,
8" Inlet Centers & Swing Nozzle w/ 2.2 GPM Aerator

Drawn

JRM

Checked

DMH

Approved

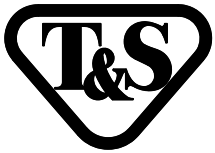
JHB

Scale:

1:4

Date:

06/21/12



T&S BRASS AND BRONZE WORKS, INC.

2 Saddleback Cove / P.O. Box 1088

Travelers Rest, SC 29690

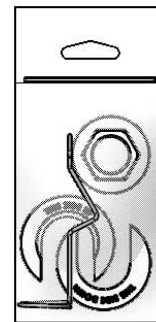
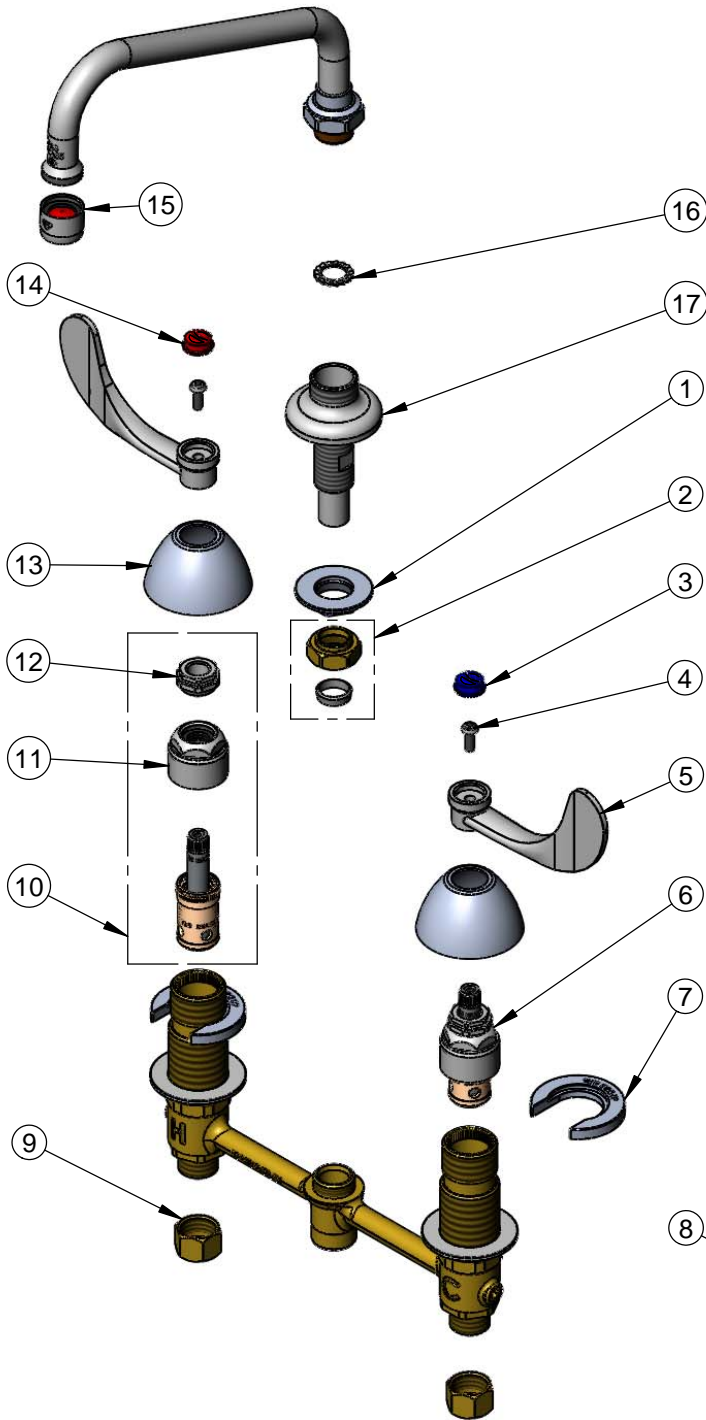
Model No.

B-2347-01

Item No.

Travelers Rest, SC: 800-476-4103 • Simi Valley, CA: 800-423-0150 • Fax: 864-834-3518 • www.tsbrass.com

ITEM NO.	SALES NO.	DESCRIPTION
1	016742-45	Center Flange Nut
2	016745-45	Compression Nut & Fitting
3	001686-45	Blue CW Index
4	000925-45	Lab Handle Screw </td
5	B-WH4	4" Wrist Action Handle
6	016752-40	EasyInstall CWS LTC Eterna (Teflon)
7	016749-45	C-Washer
8	016777-45	CWS Hanger
9	000958-20	Coupling Nut
10	016753-40	EasyInstall CWS RTC Eterna (Teflon)
11	016743-25	CWS Bonnet Assembly
12	009002-25	Packing Assembly
13	001257-40	Bell Escutcheon
14	001194-45	Red HW Index
15	B-0199-01	2.2 GPM Aerator
16	014200-45	Star Washer, Anti-Rotation
17	016754-40	EasyInstall CWS Swivel Center Shank



017245-40
Installation Repair Kit
Includes #1, (2)#7 & #8

Product Specifications:
EasyInstall Faucet w/ 4" Wrist Action Handles, Eterna Cartridges,
8" Inlet Centers & Swing Nozzle w/ 2.2 GPM Aerator

Drawn JRM	Checked DMH	Approved JHB
Scale: NTS		Date: 06/21/12



T&S BRASS AND BRONZE WORKS, INC.

2 Saddleback Cove / P.O. Box 1088
Travelers Rest, SC 29690

Model No.

B-2347-02

Item No.

Travelers Rest, SC: 800-476-4103 • Simi Valley, CA: 800-423-0150 • Fax: 864-834-3518 • www.tsbrass.com

This Space for Architect/Engineer Approval

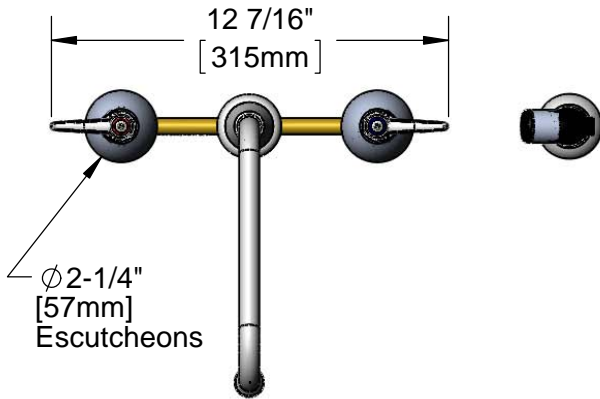
Job Name _____ Date _____

Model Specified _____ Quantity _____

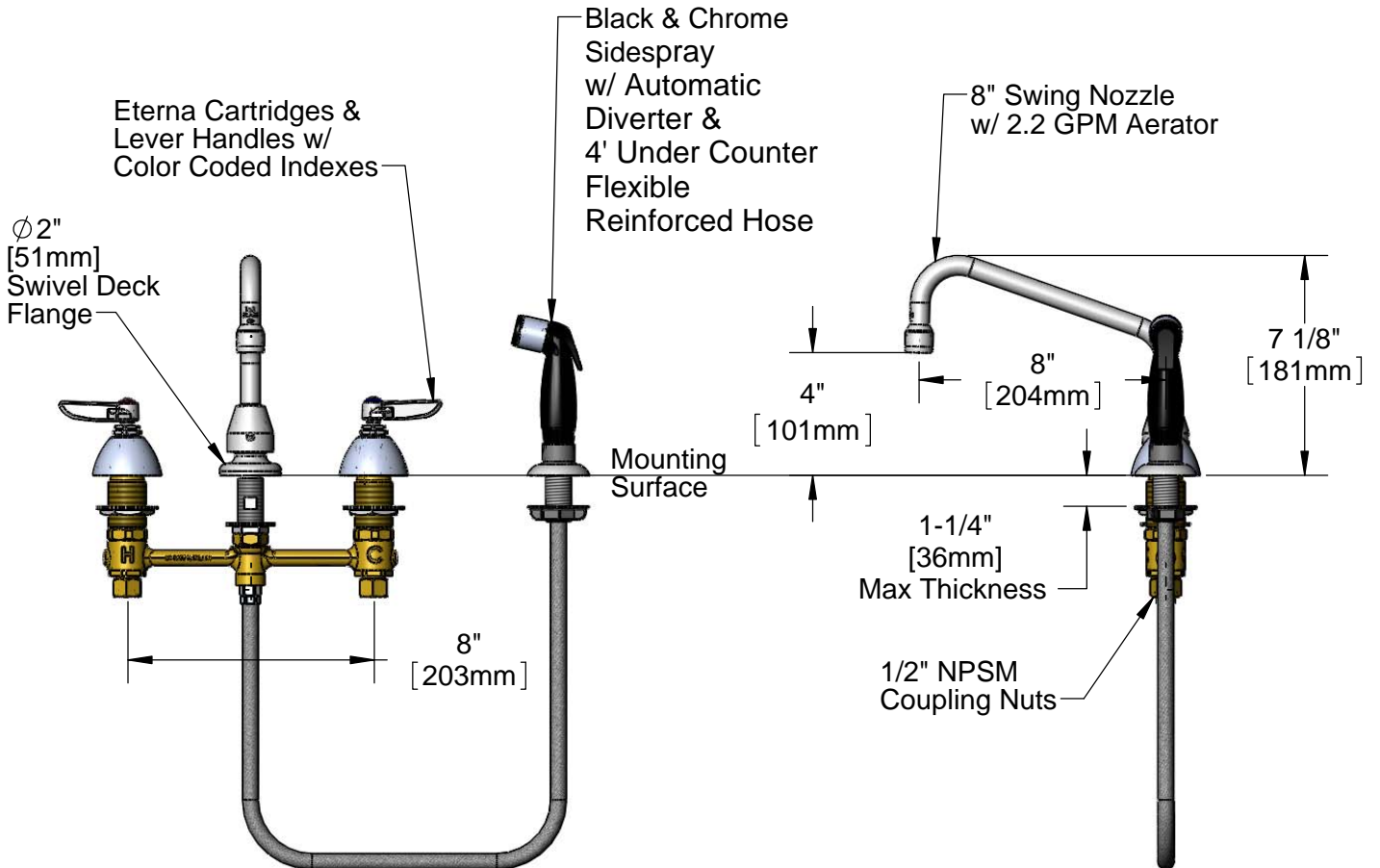
Customer/Wholesaler _____

Contractor _____

Architect/Engineer _____



ADA Compliant



Rough-In Requirement:
 ϕ 1" [25mm] for Center Shank
 ϕ 1-1/2" [38mm] for Hot/Cold Side

Product Specifications:
 EasyInstall Faucet w/ 4' Sidespray, Lever Handles, Eterna Cartridges,
 8" Inlet Centers & 8" Swing Nozzle w/ 2.2 GPM Aerator

Drawn JRM	Checked DMH	Approved JHB
Scale: 1:6		Date: 06/21/12



T&S BRASS AND BRONZE WORKS, INC.

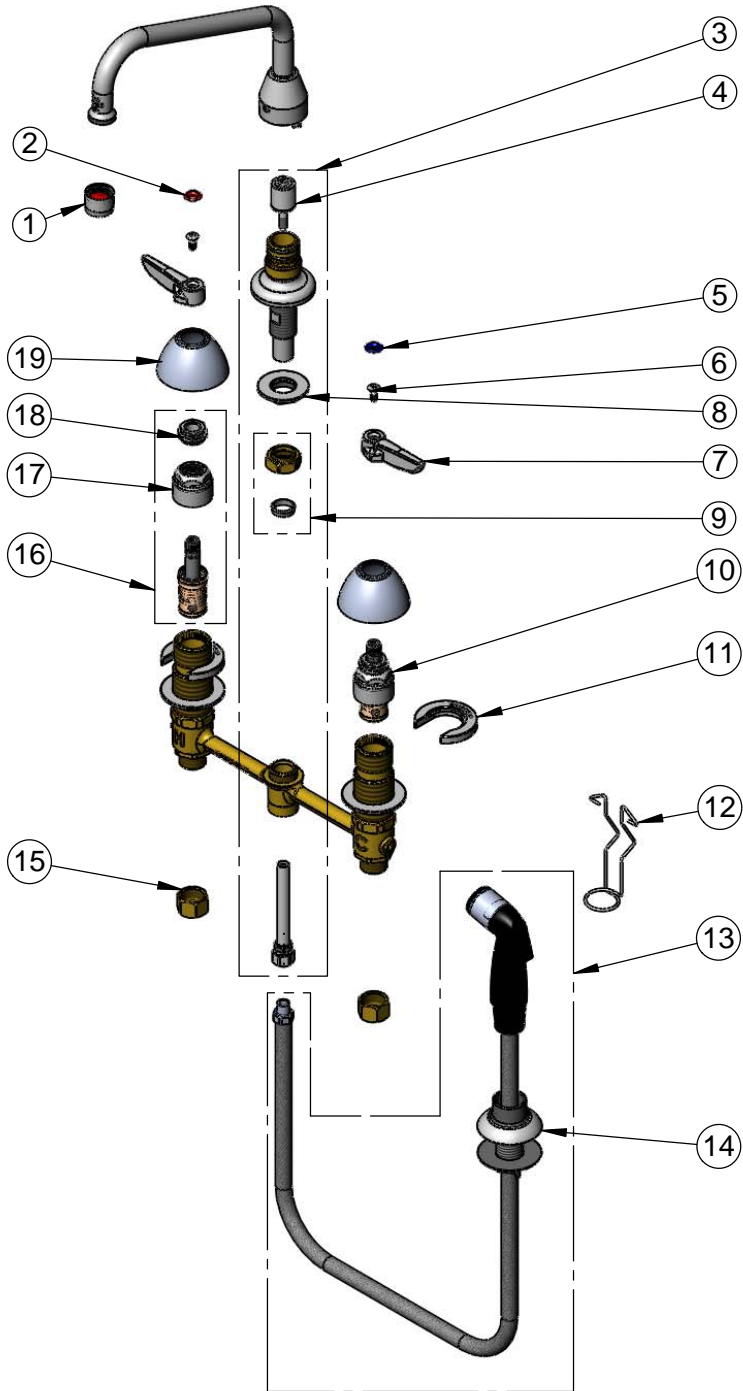
2 Saddleback Cove / P.O. Box 1088
Travelers Rest, SC 29690

Model No.

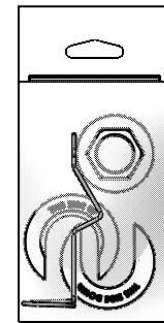
B-2347-02

Item No.

Travelers Rest, SC: 800-476-4103 • Simi Valley, CA: 800-423-0150 • Fax: 864-834-3518 • www.tsbrass.com



ITEM NO.	SALES NO.	DESCRIPTION
1	B-0199-01	2.2 GPM Aerator
2	001661-45	Red Index-HW
3	017208-40	Center Body Diverter Asy
4	002338-45	Diverter
5	001660-45	Blue Index-CW
6	000922-45	Lever Handle Screw
7	001638-45	Lever Handle
8	016742-45	Center Flange Nut
9	016745-45	Compression Nut & Fitting
10	016752-40	EasyInstall CWS LTC Eterna (Teflon)
11	016749-45	C-Washer
12	016777-45	CWS Hanger
13	001495-45	4' Side Spray w/ Hose Guide
14	001496-45	Hose Guide
15	000958-20	Coupling Nut
16	016753-40	EasyInstall CWS RTC Eterna (Teflon)
17	016743-25	CWS Bonnet Assembly
18	009002-25	Packing Assembly
19	001257-40	Bell Escutcheon



017245-40
Installation Repair Kit
Includes #8, (2)#11 & #12

Product Specifications:

EasyInstall Faucet w/ 4' Sidespray, Lever Handles, Eterna Cartridges, 8" Inlet Centers & 8" Swing Nozzle w/ 2.2 GPM Aerator

Drawn JRM	Checked DMH	Approved JHB
Scale: NTS		Date: 06/21/12



T&S BRASS AND BRONZE WORKS, INC.

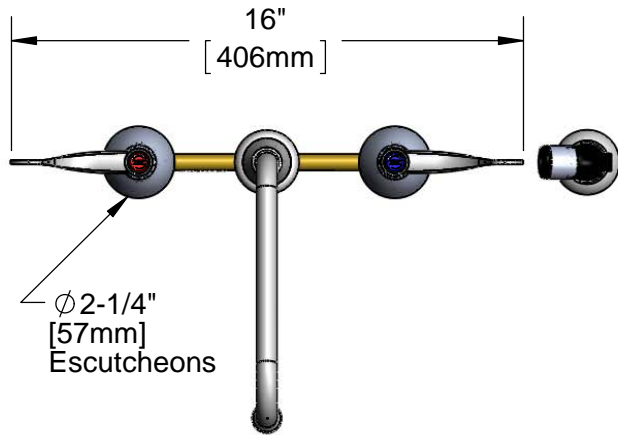
2 Saddleback Cove / P.O. Box 1088
Travelers Rest, SC 29690

Model No.

B-2347-02-WH4CR

Item No.

Travelers Rest, SC: 800-476-4103 • Simi Valley, CA: 800-423-0150 • Fax: 864-834-3518 • www.tsbrass.com



This Space for Architect/Engineer Approval

Job Name _____ Date _____

Model Specified _____ Quantity _____

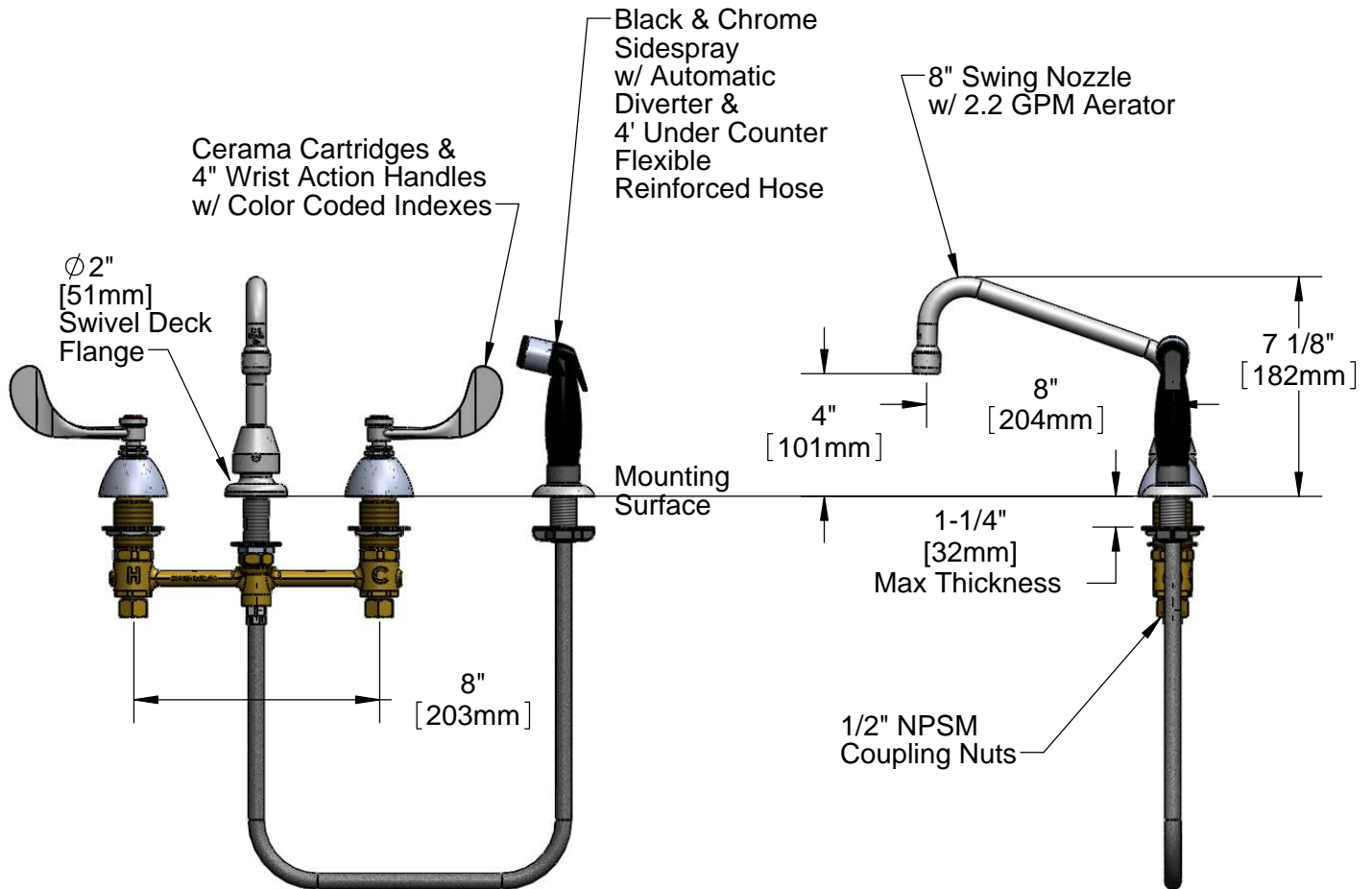
Customer/Wholesaler _____

Contractor _____

Architect/Engineer _____



ADA Compliant



Rough-In Requirement:
 Ø 1" [25mm] for Center Shank
 Ø 1-1/2" [38mm] for Hot/Cold Side

Product Specifications:

EasyInstall Faucet w/ 4' Sidespray, Swing Nozzle w/ 2.2 GPM Aerator, 4" Wrist Action Handles, Cerama Cartridges, & 8" Inlet Centers

Drawn JRM	Checked DMH	Approved JHB
Scale: 1:4		Date: 06/21/12



T&S BRASS AND BRONZE WORKS, INC.

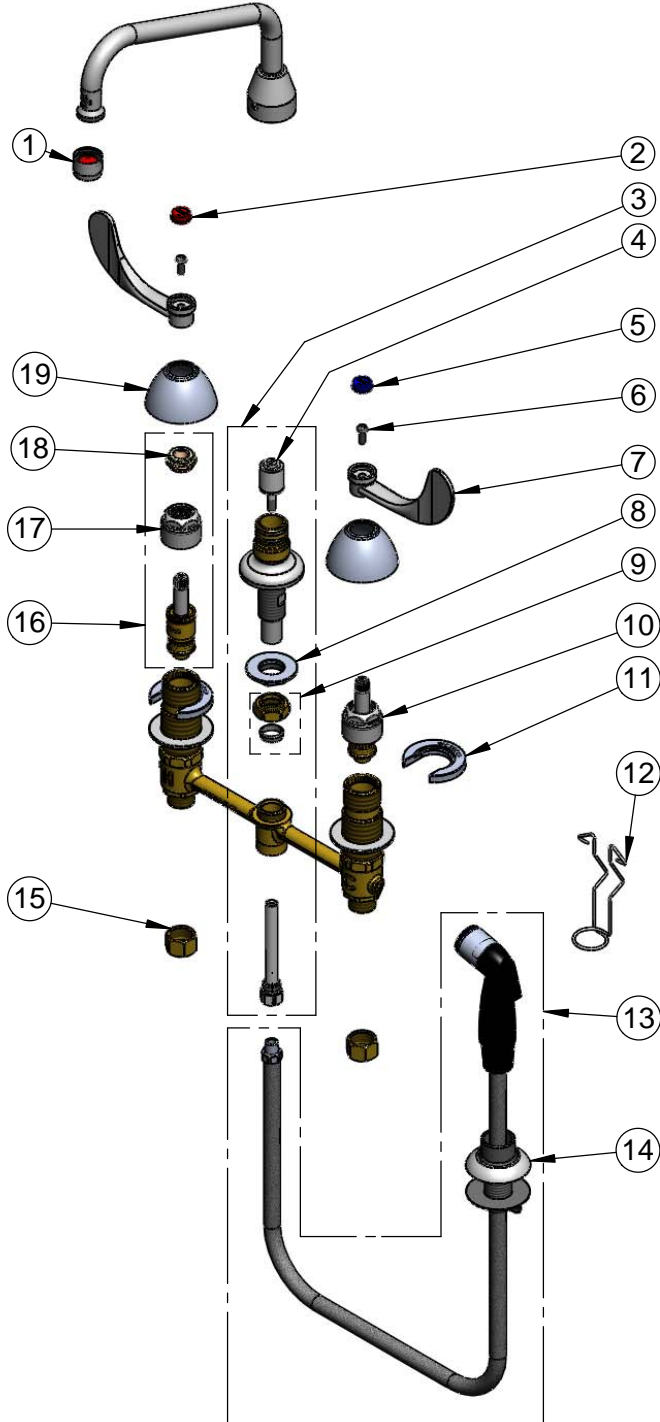
2 Saddleback Cove / P.O. Box 1088
Travelers Rest, SC 29690

Model No.

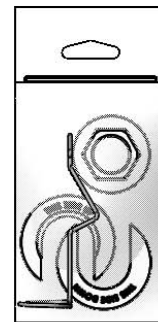
B-2347-02-WH4CR

Item No.

Travelers Rest, SC: 800-476-4103 • Simi Valley, CA: 800-423-0150 • Fax: 864-834-3518 • www.tsbrass.com



ITEM NO.	SALES NO.	DESCRIPTION
1	B-0199-01	2.2 GPM Aerator
2	001194-45	Red HW Index
3	017208-40	Center Body Diverter Asy
4	002338-45	Diverter
5	001686-45	Blue CW Index
6	000925-45	Lab Handle Screw
7	B-WH4	4" Wrist Action Handle
8	016742-45	Center Flange Nut
9	016745-45	Compression Nut & Fitting
10	016767-25	EasyInstall CWS LTC Cerama
11	016749-45	C-Washer
12	016777-45	CWS Hanger
13	001495-45	4' Side Spray w/ Hose Guide
14	001496-45	Hose Guide
15	000958-20	Coupling Nut
16	016768-25	EasyInstall CWS RTC Cerama
17	016743-25	CWS Bonnet Assembly
18	009002-25	Packing Assembly
19	001257-40	Bell Escutcheon



017245-40
Installation Repair Kit
Includes #8, (2)#11, & #12

Product Specifications:

EasyInstall Faucet w/ 4' Sidespray, Swing Nozzle w/ 2.2 GPM Aerator, 4" Wrist Action Handles, Cerama Cartridges, & 8" Inlet Centers

Drawn	Checked	Approved
JRM	DMH	JHB
Scale:	Date:	
NTS	06/21/12	



T&S BRASS AND BRONZE WORKS, INC.

2 Saddleback Cove / P.O. Box 1088
Travelers Rest, SC 29690

Model No.

B-2347-03

Item No.

Travelers Rest, SC: 800-476-4103 • Simi Valley, CA: 800-423-0150 • Fax: 864-834-3518 • www.tsbrass.com

This Space for Architect/Engineer Approval

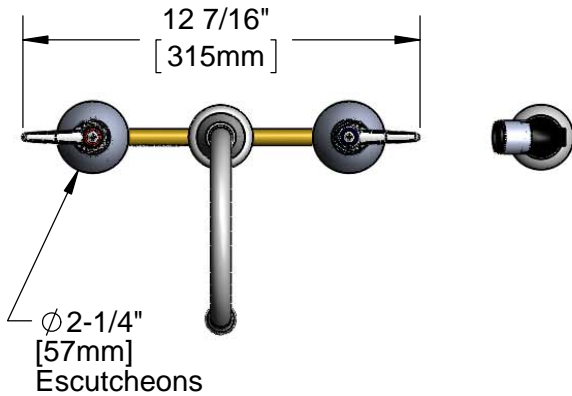
Job Name _____ Date _____

Model Specified _____ Quantity _____

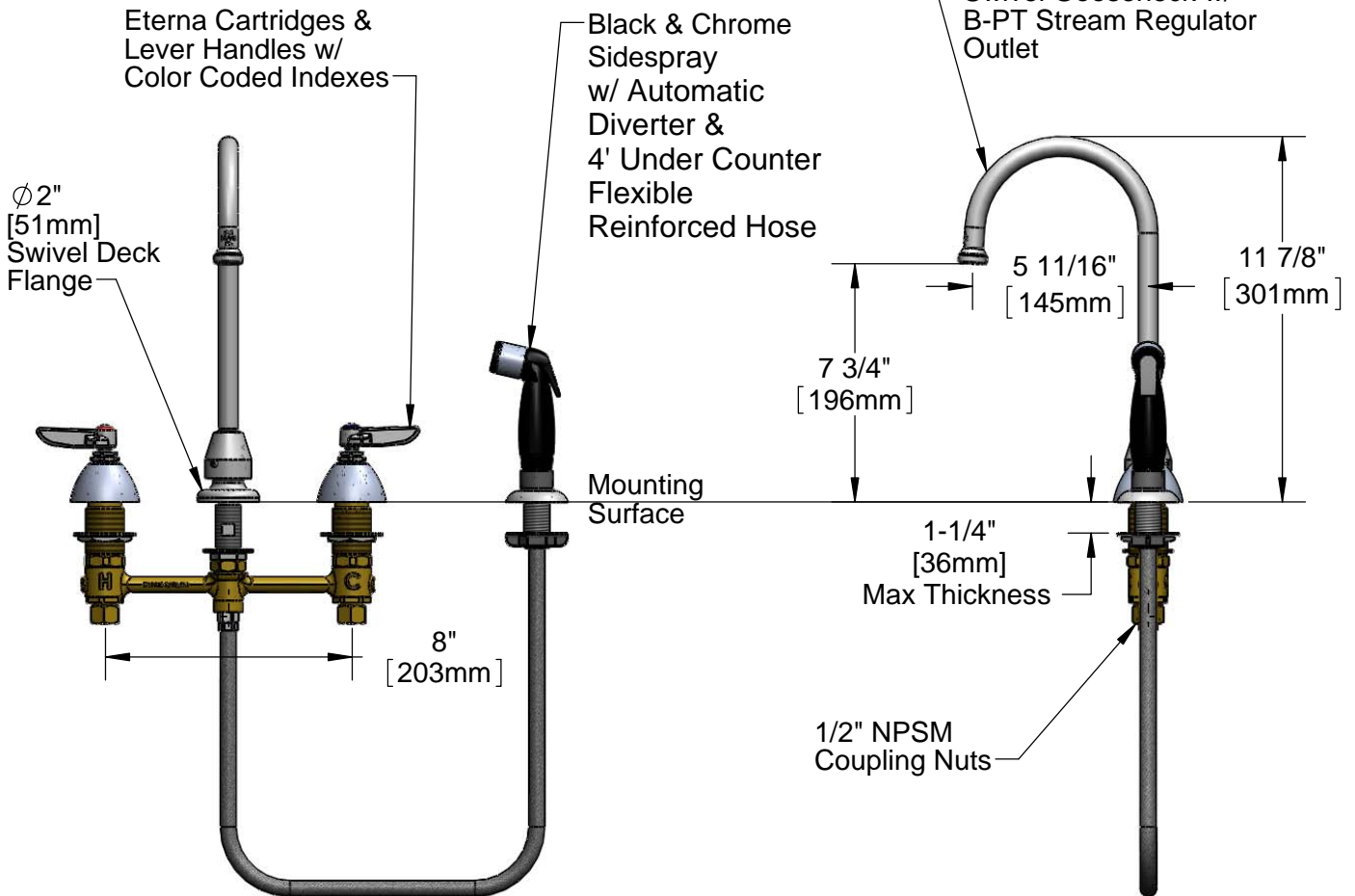
Customer/Wholesaler _____

Contractor _____

Architect/Engineer _____



ADA Compliant



Rough-In Requirement:

Ø 1" [25mm] for Center Shank

Ø 1-1/2" [38mm] for Hot/Cold Side

Product Specifications:

EasyInstall Faucet w/ 4' Sidespray, Lever Handles, Eterna Cartridges, 8" Inlet Centers & Gooseneck w/ Stream Regulator Outlet

Drawn

JRM

Checked

DMH

Approved

JHB

Scale:

1:4

Date:

06/21/12



T&S BRASS AND BRONZE WORKS, INC.

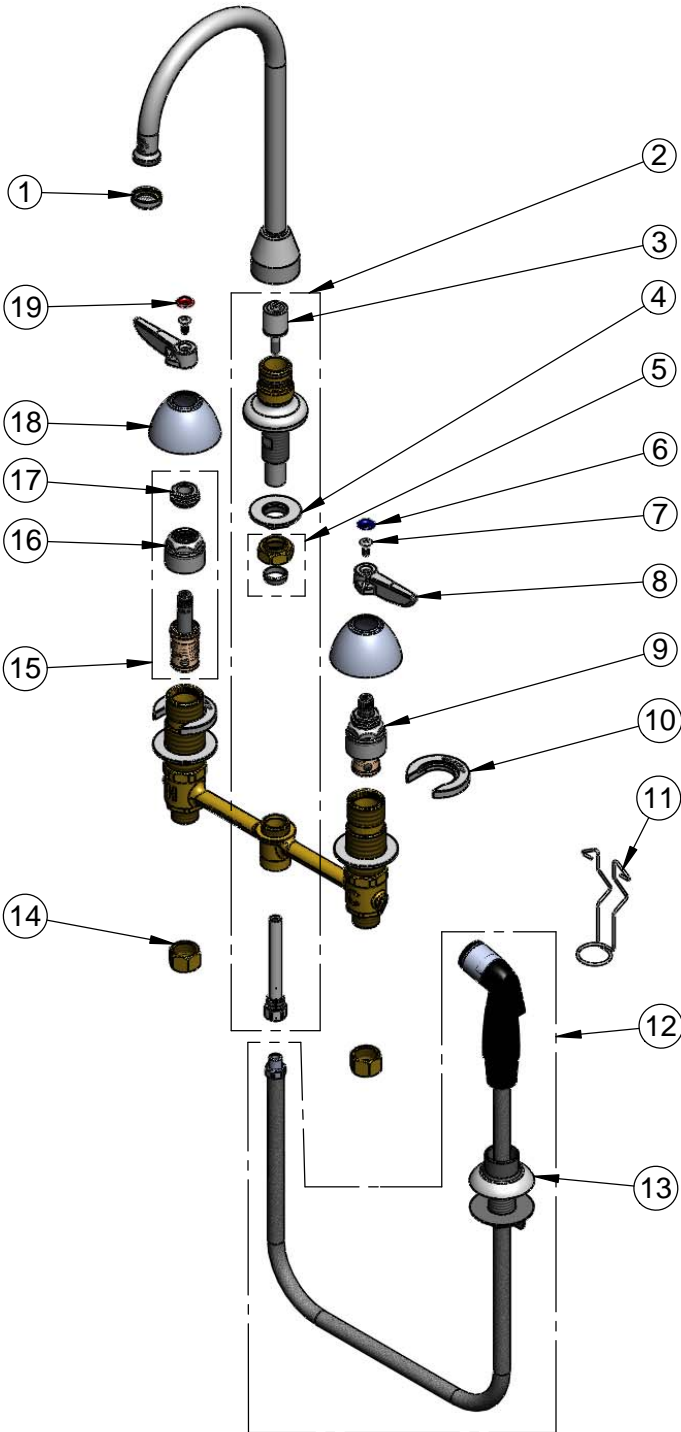
2 Saddleback Cove / P.O. Box 1088
Travelers Rest, SC 29690

Model No.

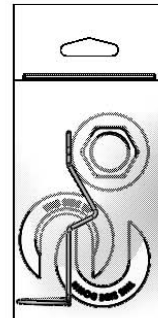
B-2347-03

Item No.

Travelers Rest, SC: 800-476-4103 • Simi Valley, CA: 800-423-0150 • Fax: 864-834-3518 • www.tsbrass.com



ITEM NO.	SALES NO.	DESCRIPTION
1	B-PT	Stream Regulator Outlet
2	017208-40	Center Body Diverter Asy
3	002338-45	Diverter
4	016742-45	Center Flange nut
5	016745-45	Compression Nut & Fitting
6	001660-45	Blue Index-CW
7	000922-45	Lever Handle Screw
8	001638-45	Lever Handle
9	016752-40	EasyInstall CWS LTC Eterna (Teflon)
10	016749-45	C-Washer
11	016777-45	CWS Hanger
12	001495-45	4' Side Spray w/ Hose Guide
13	001496-45	Hose Guide
14	000958-20	Coupling Nut
15	016753-40	EasyInstall CWS RTC Eterna (Teflon)
16	016743-25	CWS Bonnet Assembly
17	009002-25	Packing Assembly
18	001257-40	Bell Escutcheon
19	001661-45	Red Index-HW



017245-40
Installation Repair Kit
Includes #4, (2)#10 & #11

Product Specifications:

EasyInstall Faucet w/ 4' Sidespray, Lever Handles, Eterna Cartridges, 8" Inlet Centers & Gooseneck w/ Stream Regulator Outlet

Drawn JRM	Checked DMH	Approved JHB
Scale: NTS		Date: 06/21/12



T&S BRASS AND BRONZE WORKS, INC.

2 Saddleback Cove / P.O. Box 1088
Travelers Rest, SC 29690

Model No.

B-2347-04

Item No.

Travelers Rest, SC: 800-476-4103 • Simi Valley, CA: 800-423-0150 • Fax: 864-834-3518 • www.tsbrass.com

This Space for Architect/Engineer Approval

Job Name _____ Date _____

Model Specified _____ Quantity _____

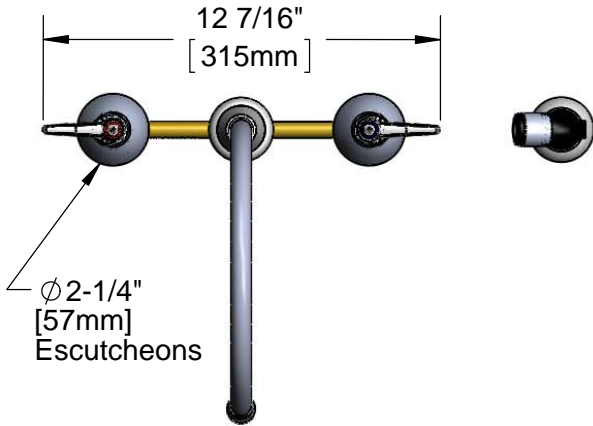
Customer/Wholesaler _____

Contractor _____

Architect/Engineer _____



ADA Compliant



Ø 2-1/4"
[57mm]
Escutcheons

Eterna Cartridges &
Lever Handles w/
Color Coded Indexes

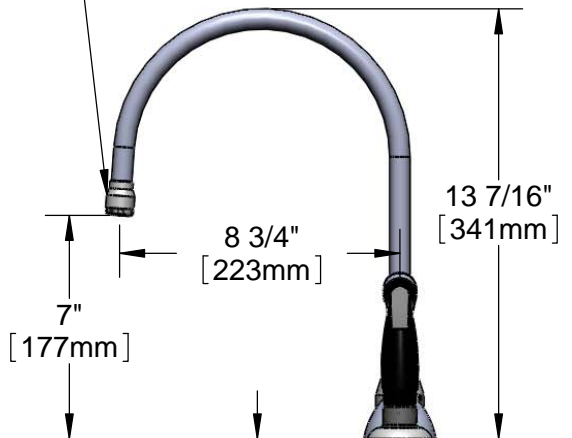
Ø 2"
[51mm]
Swivel Deck
Flange

Black & Chrome
Sidespray
w/ Automatic
Diverter &
4' Under Counter
Flexible
Reinforced Hose

Mounting
Surface

8"
[203mm]

Swivel Gooseneck w/
B-LT Stream Regulator
Outlet



1-1/4"
[36mm]
Max Thickness

1/2" NPSM
Coupling Nuts

Rough-In Requirement:

Ø 1" [25mm] for Center Shank

Ø 1-1/2" [38mm] for Hot/Cold Side

Product Specifications:

EasyInstall Faucet w/ 4' Sidespray, Lever Handles, Eterna Cartridges,
8" Inlet Centers & Gooseneck w/ Stream Regulator Outlet

Drawn

JRM

Checked

DMH

Approved

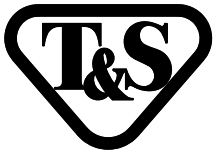
JHB

Scale:

1:4

Date:

06/21/12



T&S BRASS AND BRONZE WORKS, INC.

2 Saddleback Cove / P.O. Box 1088

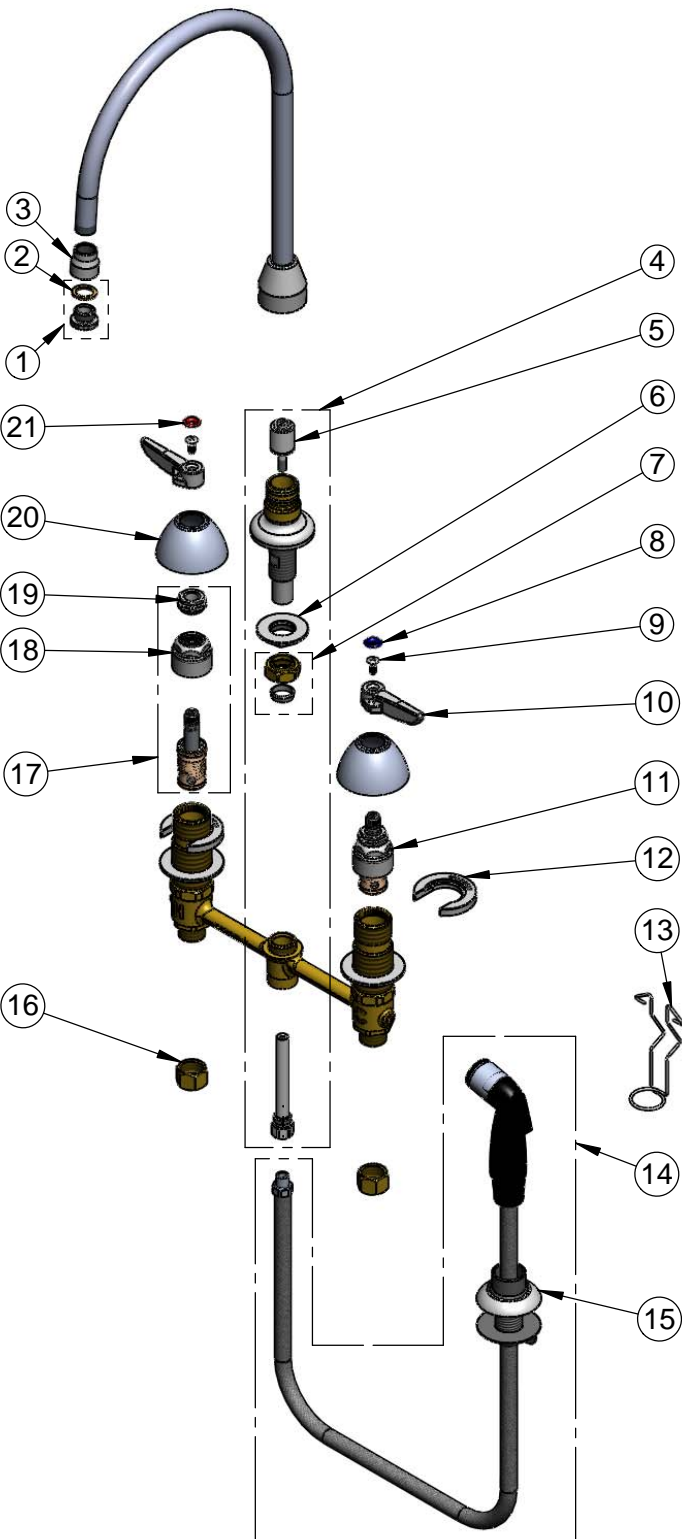
Travelers Rest, SC 29690

Model No.

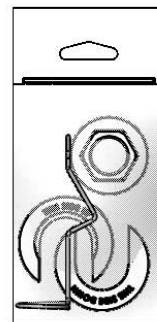
B-2347-04

Item No.

Travelers Rest, SC: 800-476-4103 • Simi Valley, CA: 800-423-0150 • Fax: 864-834-3518 • www.tsbrass.com



ITEM NO.	SALES NO.	DESCRIPTION
1	B-LT	Stream Regulator Outlet
2	009636-45	Washer
3	000557-25	Bell Adapter
4	017208-40	Center Body Diverter Asy
5	002338-45	Diverter
6	016742-45	Center Flange nut
7	016745-45	Compression Nut & Fitting
8	001660-45	Blue Index-CW
9	000922-45	Lever Handle Screw
10	001638-45	Lever Handle
11	016752-40	EasyInstall CWS LTC Eterna (Telfon)
12	016749-45	C-Washer
13	016777-45	CWS Hanger
14	001495-45	4' Side Spray w/ Hose Guide
15	001496-45	Hose Guide
16	000958-20	Coupling Nut
17	016753-40	EasyInstall CWS RTC Eterna (Teflon)
18	016743-25	CWS Bonnet Assembly
19	009002-25	Packing Assembly
20	001257-40	Bell Escutcheon
21	001661-45	Red Index-HW



017245-40

Installation Repair Kit
Includes #6, (2)#12 & #13

Product Specifications:

EasyInstall Faucet w/ 4' Sidespray, Lever Handles, Eterna Cartridges, 8" Inlet Centers & Gooseneck w/ Stream Regulator Outlet

Drawn	Checked	Approved
JRM	DMH	JHB
Scale:	Date:	
NTS	06/21/12	



T&S BRASS AND BRONZE WORKS, INC.

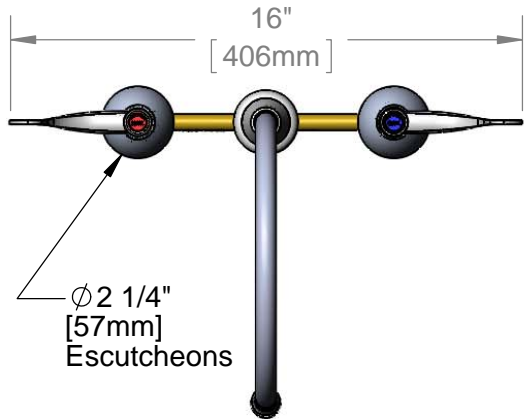
2 Saddleback Cove / P.O. Box 1088
Travelers Rest, SC 29690

Model No.

B-2347-05

Item No.

Travelers Rest, SC: 800-476-4103 • Simi Valley, CA: 800-423-0150 • Fax: 864-834-3518 • www.tsbrass.com



This Space for Architect/Engineer Approval

Job Name _____ Date _____

Model Specified _____ Quantity _____

Customer/Wholesaler _____

Contractor _____

Architect/Engineer _____

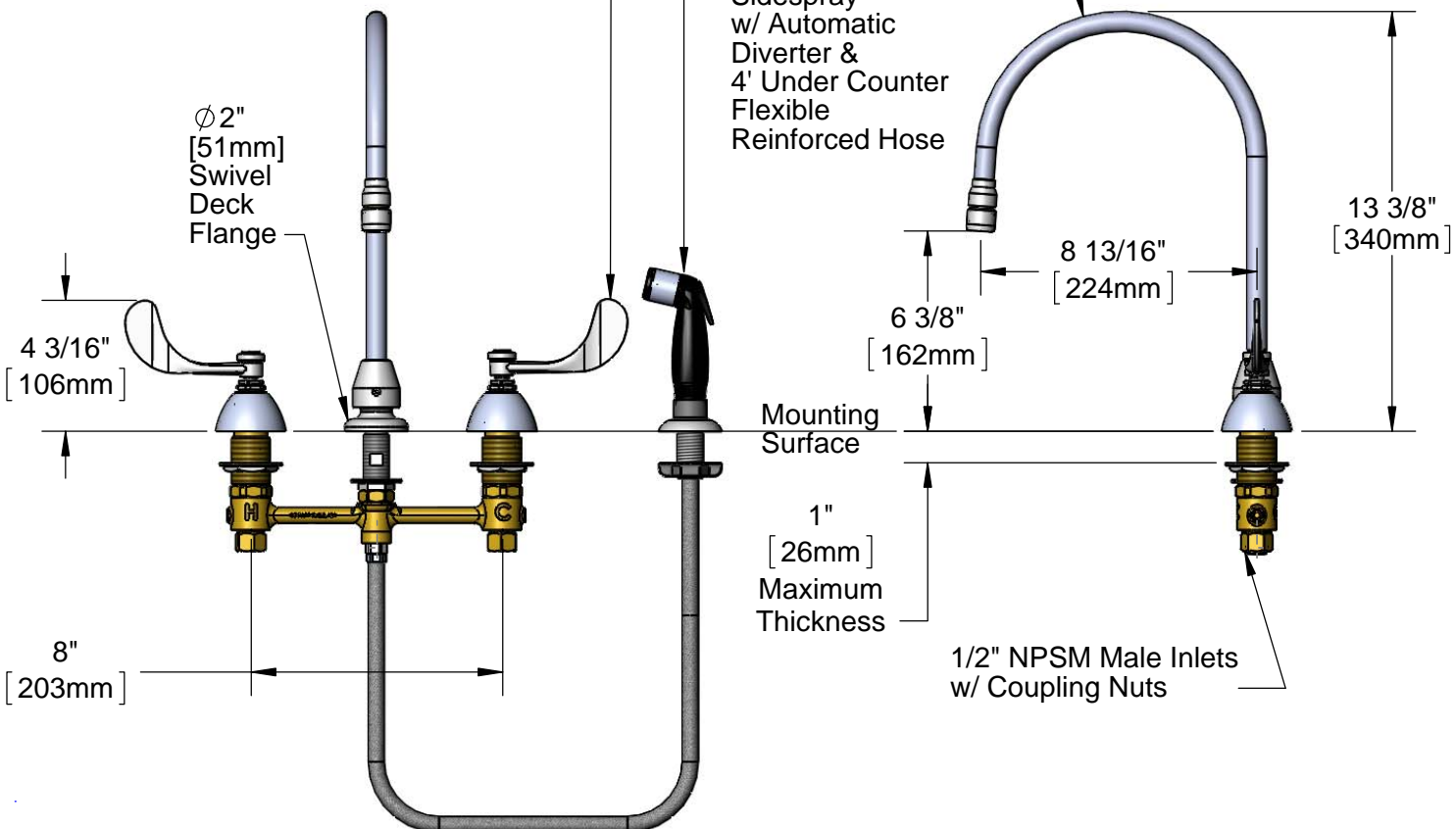


ADA Compliant

Swivel Gooseneck w/
B-0199-02
2.2 GPM Aerator Outlet

Black & Chrome
Sidespray
w/ Automatic
Diverter &
4' Under Counter
Flexible
Reinforced Hose

Eterna Cartridges &
4" Wrist Action Handles
w/ Color Coded Indexes



Rough-In Requirement:
Ø 1" [25mm] for Center Shank
Ø 1 1/2" [38mm] for Hot/Cold Side

Product Specifications:
8" Deck Mount EasyInstall Mixing Faucet w/ 4' Sidespray, Eterna Cartridges, 4" Wrist Action Handles, Gooseneck w/ 2.2 GPM Aerator Outlet & 1/2" NPSM Male Inlets w/ Coupling Nuts

Product Compliance:
ASME A112.18.1 / CSA B125.1
NSF 61 - Section 9
NSF 372 (Low Lead Content)
ANSI A117.1 (ADA)

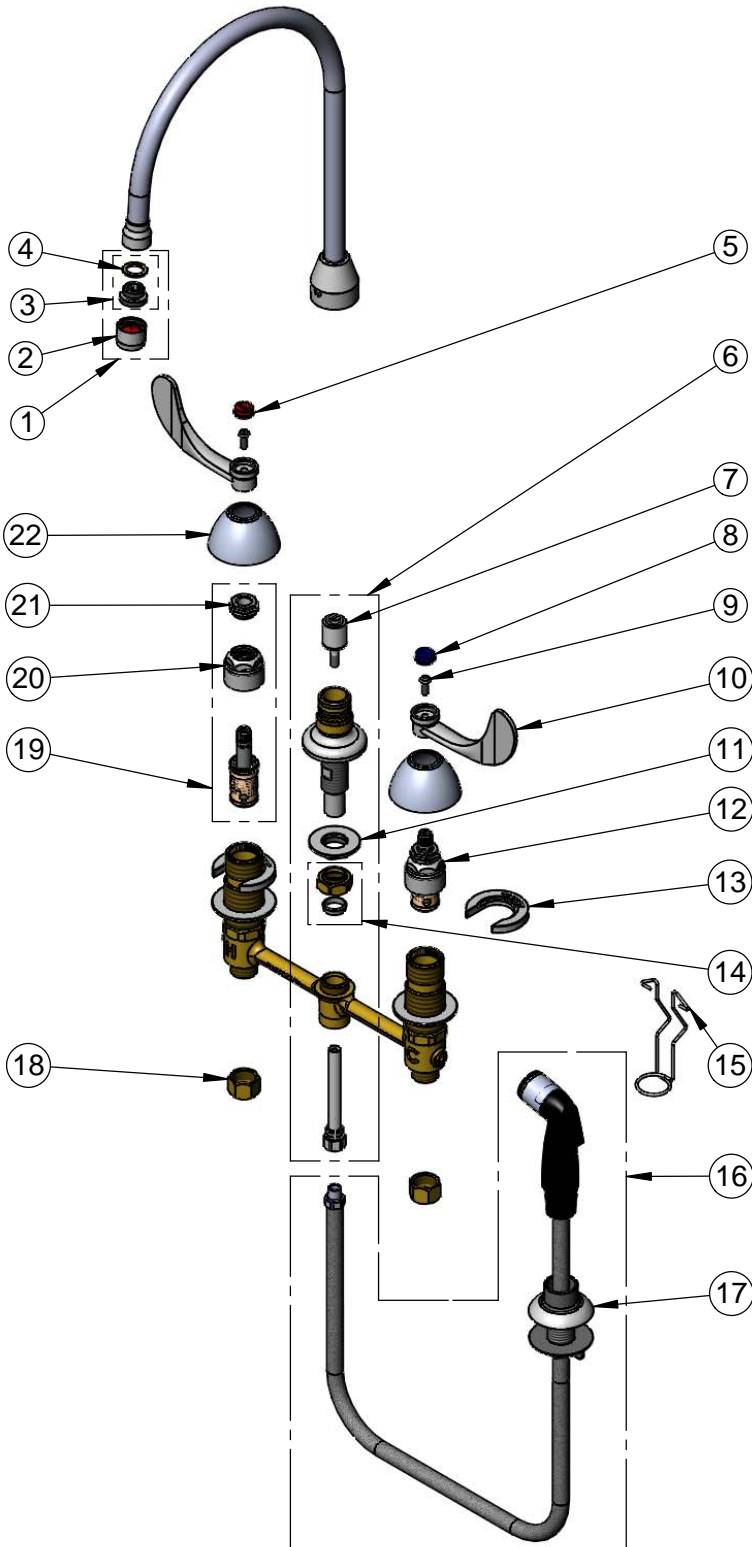


T&S BRASS AND BRONZE WORKS, INC.
 2 Saddleback Cove / P.O. Box 1088
 Travelers Rest, SC 29690

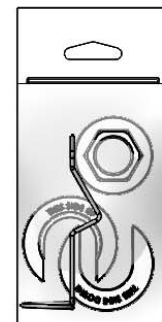
Model No.
B-2347-05

Item No.

Travelers Rest, SC: 800-476-4103 • Simi Valley, CA: 800-423-0150 • Fax: 864-834-3518 • www.tsbrass.com



ITEM NO.	SALES NO.	DESCRIPTION
1	B-0199-02	2.2 GPM Aerator, 3/8" NPSM Male
2	B-0199-01	2.2 GPM Aerator, 55/64-27 UN Female
3	044A	3/8" to Aerator Adapter
4	001043-45	Washer
5	001194-45	Red Index-HW
6	017208-40	Center Body Diverter
7	002338-45	Valve Diverter Piston
8	001686-45	Blue Index-CW
9	000925-45	Lab Handle Screw
10	B-WH4	4" Wrist Action Handle
11	016742-45	Center Flange Nut
12	016752-40	EasyInstall CWS LTC Eterna (Teflon)
13	016749-45	Sidebody C-Washer
14	016745-45	Compression Nut & Fitting
15	016777-45	CWS Hanger
16	001495-45	4' Sidespray w/ Hose Guide
17	001496-45	Hose Guide
18	000958-20	Coupling Nut
19	016753-40	EasyInstall CWS RTC Eterna (Teflon)
20	016743-25	CWS Eterna Bonnet
21	009002-25	Packing
22	001257-40	Bell Escutcheon



017245-40
 Installation Repair Kit
 Includes #11, (2)#13, & #15

Product Specifications:

8" Deck Mount EasyInstall Mixing Faucet w/ 4' Sidespray, Eterna Cartridges, 4" Wrist Action Handles, Gooseneck w/ 2.2 GPM Aerator Outlet & 1/2" NPSM Male Inlets w/ Coupling Nuts

Product Compliance:

ASME A112.18.1 / CSA B125.1
 NSF 61 - Section 9
 NSF 372 (Low Lead Content)
 ANSI A117.1 (ADA)



T&S BRASS AND BRONZE WORKS, INC.

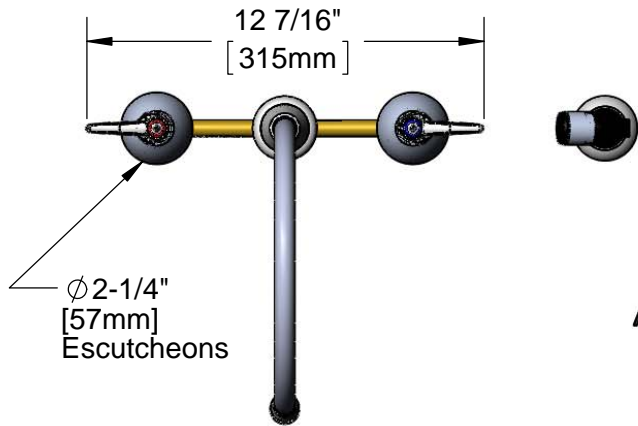
2 Saddleback Cove / P.O. Box 1088
Travelers Rest, SC 29690

Model No.

B-2347-05-LVR

Item No.

Travelers Rest, SC: 800-476-4103 • Simi Valley, CA: 800-423-0150 • Fax: 864-834-3518 • www.tsbrass.com



ADA Compliant

This Space for Architect/Engineer Approval

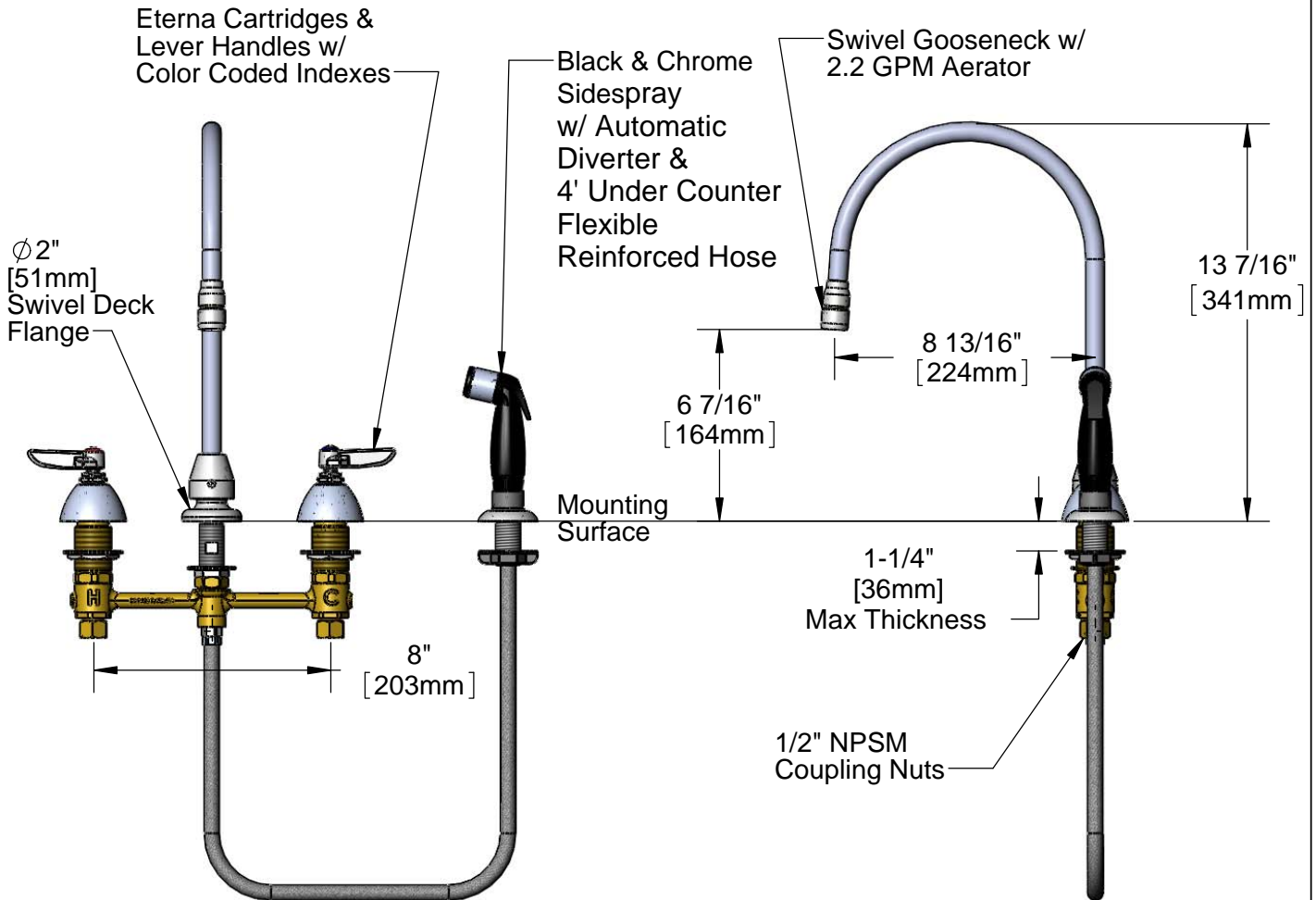
Job Name _____ Date _____

Model Specified _____ Quantity _____

Customer/Wholesaler _____

Contractor _____

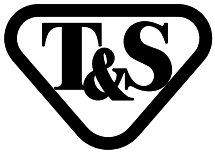
Architect/Engineer _____



Rough-In Requirement:
 ϕ 1" [25mm] for Center Shank
 ϕ 1-1/2" [38mm] for Hot/Cold Side

Product Specifications:
 EasyInstall Faucet w/ 4' Sidespray, Lever Handles, Eterna Cartridges,
 8" Inlet Centers & Gooseneck w/ 2.2 GPM Aerator

Drawn JRM	Checked DMH	Approved JHB
Scale: 1:4		Date: 06/21/12



T&S BRASS AND BRONZE WORKS, INC.

2 Saddleback Cove / P.O. Box 1088

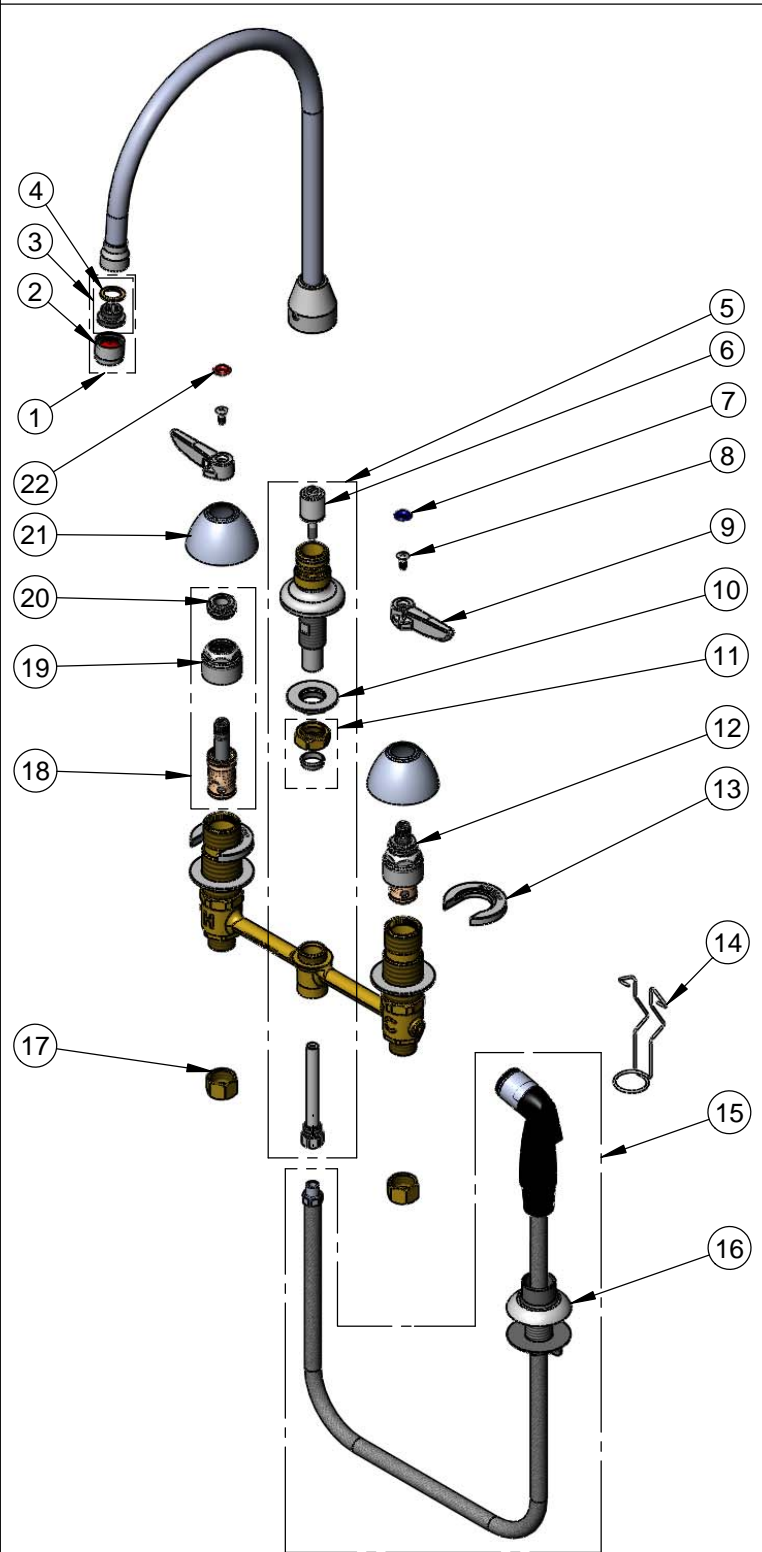
Travelers Rest, SC 29690

Model No.

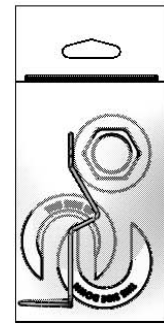
B-2347-05-LVR

Item No.

Travelers Rest, SC: 800-476-4103 • Simi Valley, CA: 800-423-0150 • Fax: 864-834-3518 • www.tsbrass.com



ITEM NO.	SALES NO.	DESCRIPTION
1	B-0199-02	2.2 GPM Male Aerator
2	B-0199-01	2.2 GPM Female Aerator
3	044A	Male Aerator Adapter
4	001043-45	Washer
5	017208-40	Center Body Diverter Asy
6	002338-45	Diverter
7	001660-45	Blue Index-CW
8	000922-45	Lever Handle Screw
9	001638-45	Lever Handle
10	016742-45	Center Flange Nut
11	016745-45	Compression Nut & Fitting
12	016752-40	EasyInstall CWS LTC Eterna (Teflon)
13	016749-45	C-Washer
14	016777-45	CWS Hanger
15	001495-45	4' Side Spray w/ Hose Guide
16	001496-45	Hose Guide
17	000958-20	Coupling Nut
18	016753-40	EasyInstall CWS RTC Eterna (Teflon)
19	016743-25	CWS Bonnet Assembly
20	009002-25	Packing Assembly
21	001257-40	Bell Escutcheon
22	001661-45	Red Index-HW



017245-40

Installation Repair Kit

Includes #10, (2)#13, & #14

Product Specifications:

EasyInstall Faucet w/ 4' Sidespray, Lever Handles, Eterna Cartridges, 8" Inlet Centers & Gooseneck w/ 2.2 GPM Aerator

Drawn	Checked	Approved
JRM	DMH	JHB
Scale:	Date:	
NTS	06/21/12	



T&S BRASS AND BRONZE WORKS, INC.

2 Saddleback Cove / P.O. Box 1088
Travelers Rest, SC 29690

Model No.

B-2347-06

Item No.

Travelers Rest, SC: 800-476-4103 • Simi Valley, CA: 800-423-0150 • Fax: 864-834-3518 • www.tsbrass.com

This Space for Architect/Engineer Approval

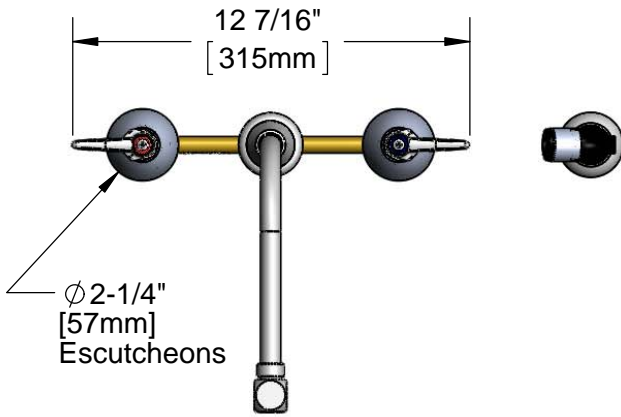
Job Name _____ Date _____

Model Specified _____ Quantity _____

Customer/Wholesaler _____

Contractor _____

Architect/Engineer _____



ADA Compliant

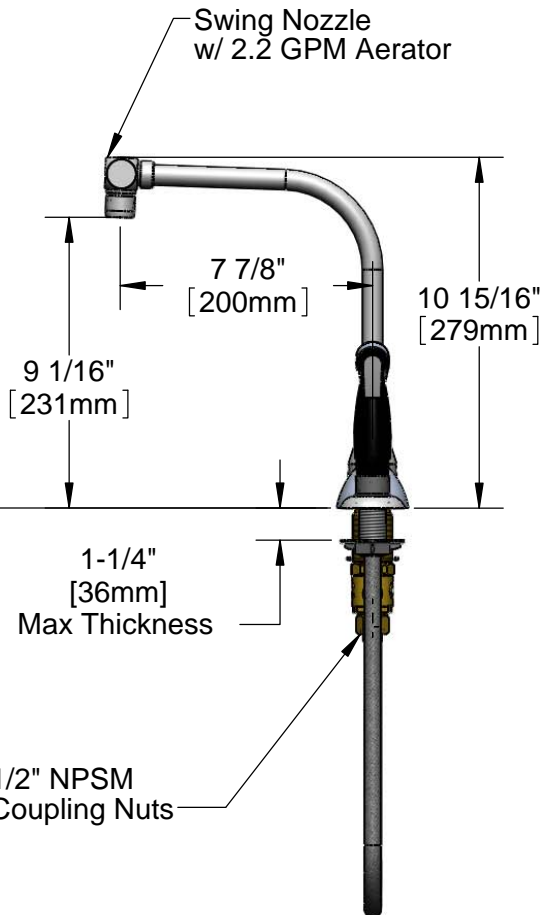
Ø 2-1/4"
[57mm]
Escutcheons

Eterna Cartridges &
Lever Handles w/
Color Coded Indexes

Ø 2"
[51mm]
Swivel Deck
Flange

Black & Chrome
Sidespray
w/ Automatic
Diverter &
4' Under Counter
Flexible
Reinforced Hose

Mounting
Surface



Swing Nozzle
w/ 2.2 GPM Aerator

9 1/16"
[231mm]

7 7/8"
[200mm]

10 15/16"
[279mm]

1-1/4"
[36mm]
Max Thickness

1/2" NPSM
Coupling Nuts

8"
[203mm]

Rough-In Requirement:
Ø 1" [25mm] for Center Shank
Ø 1-1/2" [38mm] for Hot/Cold Side

Product Specifications:
EasyInstall Faucet w/ 4' Sidespray, Lever Handles, Eterna
Cartridges, 8" Inlet Centers & Swing Nozzle w/ 2.2 GPM Aerator

Drawn JRM	Checked DMH	Approved JHB
Scale: 1:4		Date: 06/21/12



T&S BRASS AND BRONZE WORKS, INC.

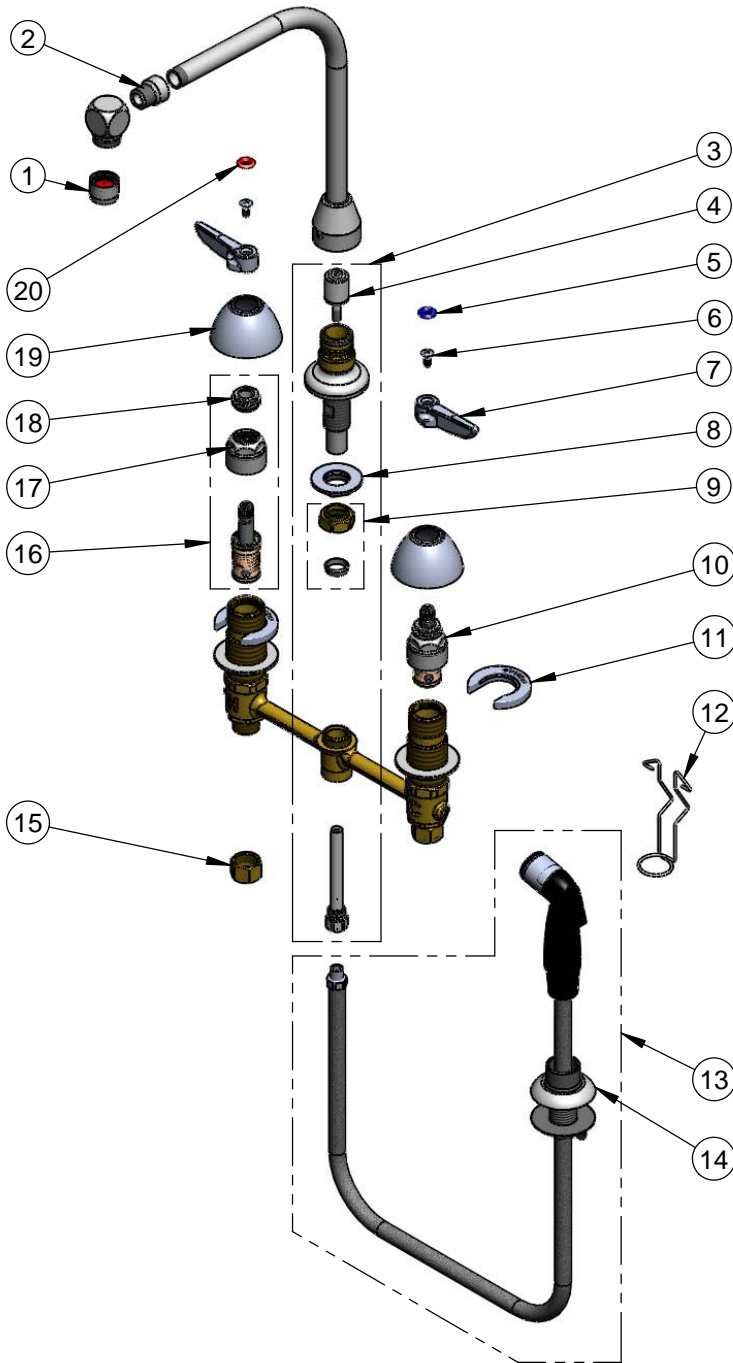
2 Saddleback Cove / P.O. Box 1088
Travelers Rest, SC 29690

Model No.

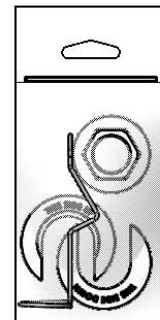
B-2347-06

Item No.

Travelers Rest, SC: 800-476-4103 • Simi Valley, CA: 800-423-0150 • Fax: 864-834-3518 • www.tsbrass.com



ITEM NO.	SALES NO.	DESCRIPTION
1	B-0199-01	2.2 GPM Aerator
2	000564-25	Adapter 3/8" NPT M x 5/8-27 F
3	017208-40	Center Body Diverter Asy
4	002338-45	Diverter
5	001660-45	Blue Index-CW
6	000922-45	Lever Handle Screw
7	001638-45	Lever Handle
8	016742-45	Center Flange Nut
9	016745-45	Compression Nut & Fitting
10	016752-40	EasyInstall CWS LTC Eterna (Teflon)
11	016749-45	C-Washer
12	016777-45	CWS Hanger
13	001495-45	4' Side Spray w/ Hose Guide
14	001496-45	Hose Guide
15	000958-20	Coupling Nut
16	016753-40	EasyInstall CWS RTC Eterna (Teflon)
17	016743-25	CWS Bonnet Assembly
18	009002-25	Packing Assembly
19	001257-40	Bell Escutcheon
20	001661-45	Red Index-HW



017245-40
Installation Repair Kit
Includes #8, (2)#11, & #12

Product Specifications:

EasyInstall Faucet w/ 4' Sidespray, Lever Handles, Eterna Cartridges, 8" Inlet Centers & Swing Nozzle w/ 2.2 GPM Aerator

Drawn

JRM

Checked

DMH

Approved

JHB

Scale:

NTS

Date:

06/21/12



T&S BRASS AND BRONZE WORKS, INC.

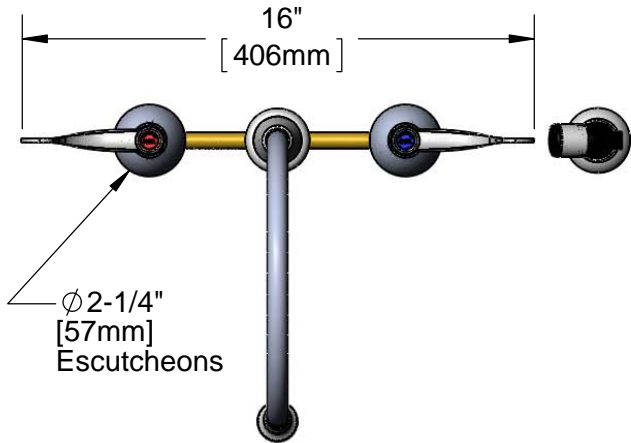
2 Saddleback Cove / P.O. Box 1088
Travelers Rest, SC 29690

Model No.

B-2347-07

Item No.

Travelers Rest, SC: 800-476-4103 • Simi Valley, CA: 800-423-0150 • Fax: 864-834-3518 • www.tsbrass.com



ADA Compliant

This Space for Architect/Engineer Approval

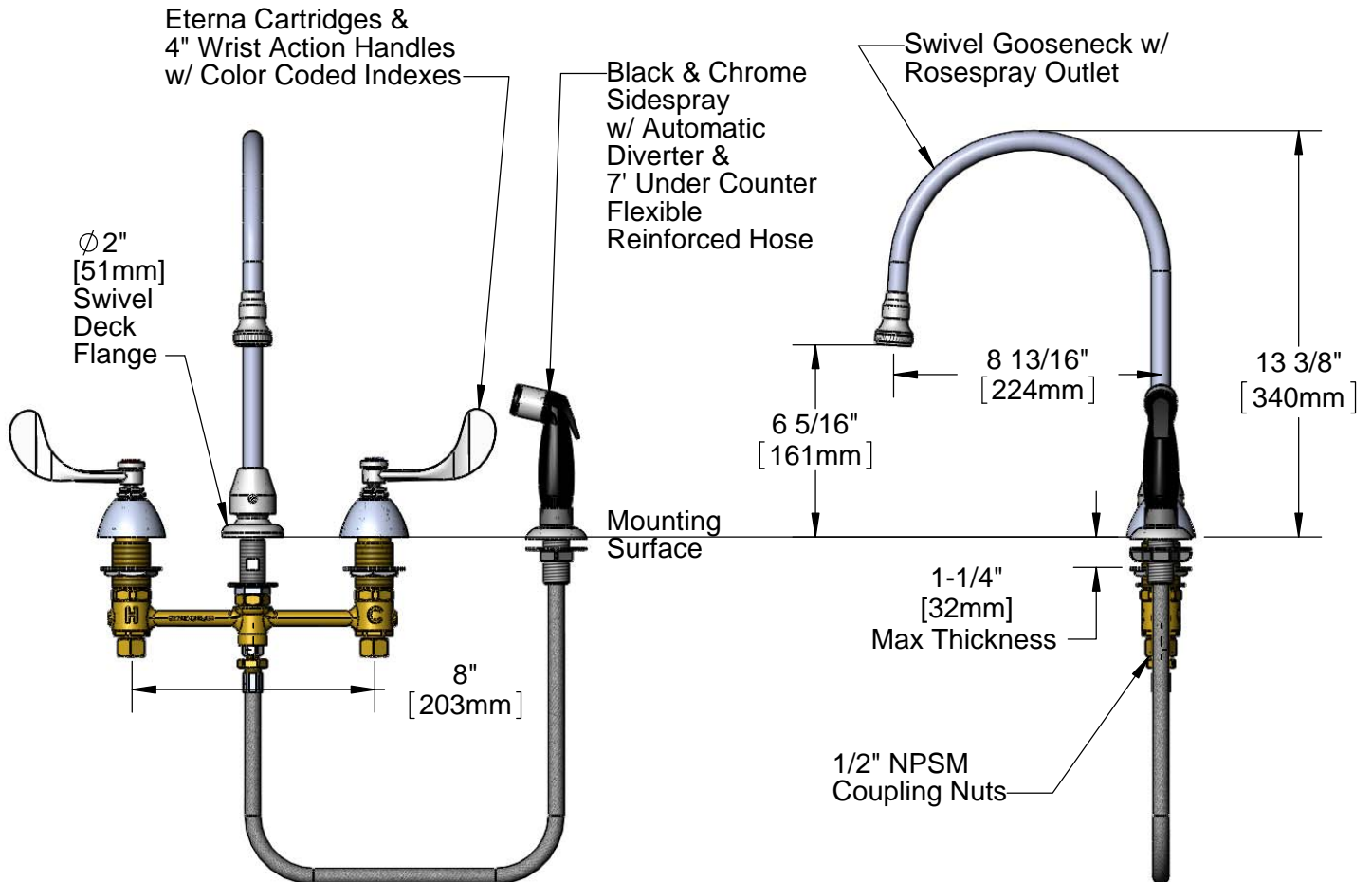
Job Name _____ Date _____

Model Specified _____ Quantity _____

Customer/Wholesaler _____

Contractor _____

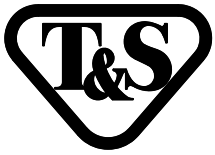
Architect/Engineer _____



Rough-In Requirement:
Ø1" [25mm] for Center Shank
Ø1-1/2" [38mm] for Hot/Cold Side

Product Specifications:
EasyInstall Faucet w/ 7' Sidespray, 4" Wrist Action Handles, Eterna Cartridges, 8" Inlet Centers & Gooseneck w/ Rosespray Outlet

Drawn JRM	Checked DMH	Approved JHB
Scale: 1:4		Date: 06/21/12



T&S BRASS AND BRONZE WORKS, INC.

2 Saddleback Cove / P.O. Box 1088

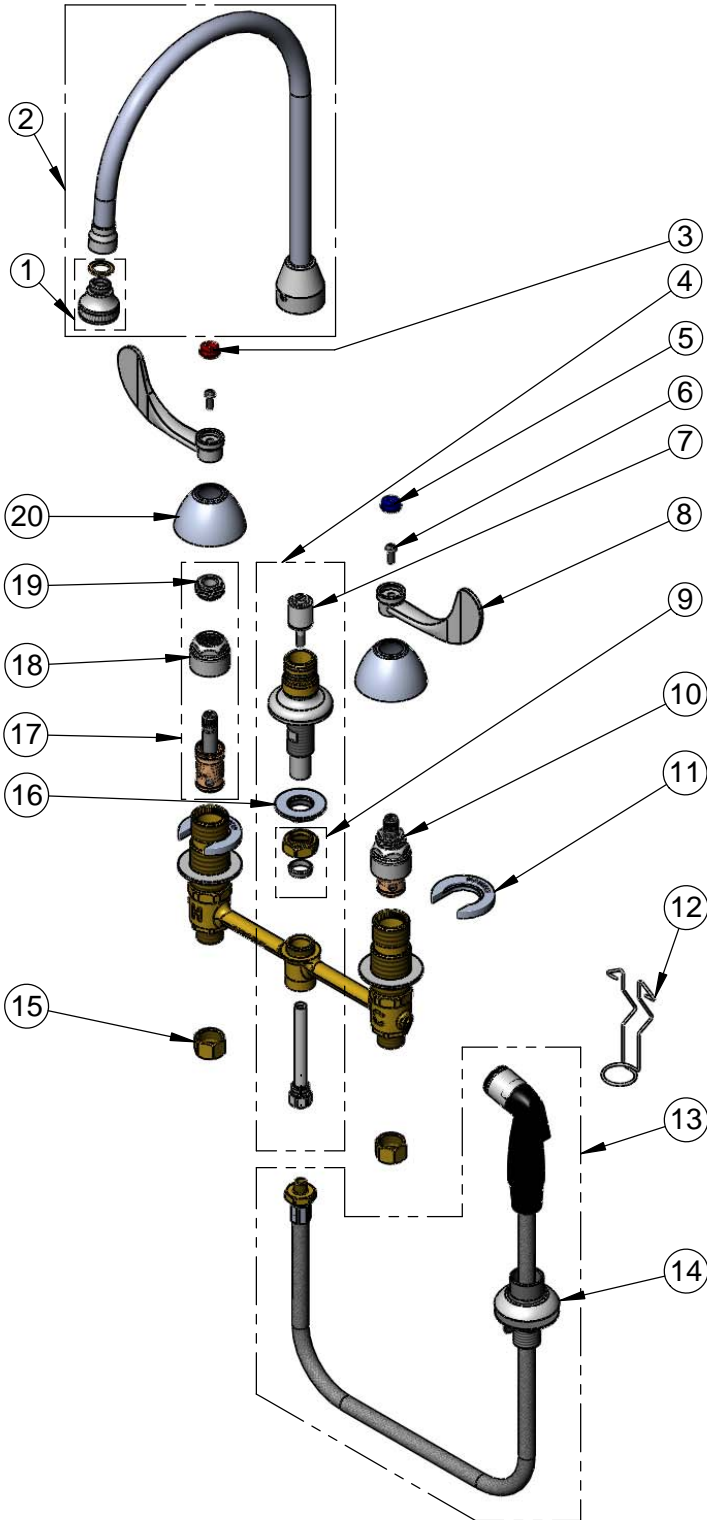
Travelers Rest, SC 29690

Model No.

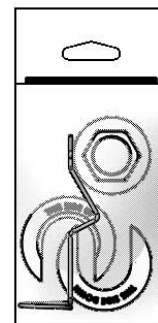
B-2347-07

Item No.

Travelers Rest, SC: 800-476-4103 • Simi Valley, CA: 800-423-0150 • Fax: 864-834-3518 • www.tsbrass.com



ITEM NO.	SALES NO.	DESCRIPTION
1	B-0103	Rosespray Outlet
2	009436-40	Assembly, B-2347 Nozzle
3	001194-45	Red HW Index
4	017208-40	Center Body Diverter Asy
5	001686-45	Blue CW Index
6	000925-45	Lab Handle Screw
7	002338-45	Diverter
8	B-WH4	4" Wrist Action Handle
9	016745-45	Compression Nut & Fitting
10	016752-40	EasyInstall CWS LTC Eterna (Teflon)
11	016749-45	C-Washer
12	016777-45	CWS Hanger
13	013659-45	7' Sidespray w/ Hose Guide
14	001496-45	Hose Guide
15	000958-20	Coupling Nut
16	016742-45	Center Nut Flange
17	016753-40	EasyInstall CWS RTC Eterna (Teflon)
18	016743-25	CWS Bonnet Assembly
19	009002-25	Packing Assembly
20	001257-40	Bell Escutcheon



017245-40
Installation Repair Kit
Includes #16, (2)#11, & #12

Product Specifications:

EasyInstall Faucet w/ 7' Sidespray, 4" Wrist Action Handles, Eterna Cartridges, 8" Inlet Centers & Gooseneck w/ Rosespray Outlet

Drawn

JRM

Checked

DMH

Approved

JHB

Scale:

NTS

Date:

06/21/12



T&S BRASS AND BRONZE WORKS, INC.

2 Saddleback Cove / P.O. Box 1088
Travelers Rest, SC 29690

Model No.

B-2347-08

Item No.

Travelers Rest, SC: 800-476-4103 • Simi Valley, CA: 800-423-0150 • Fax: 864-834-3518 • www.tsbrass.com

This Space for Architect/Engineer Approval

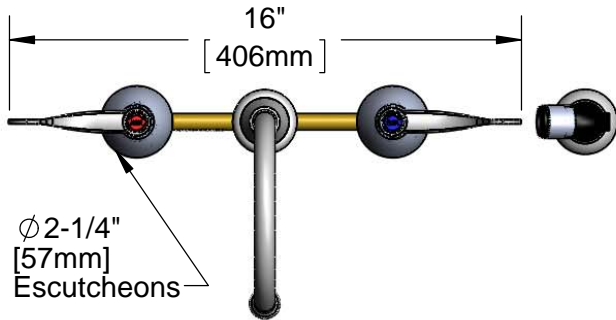
Job Name _____ Date _____

Model Specified _____ Quantity _____

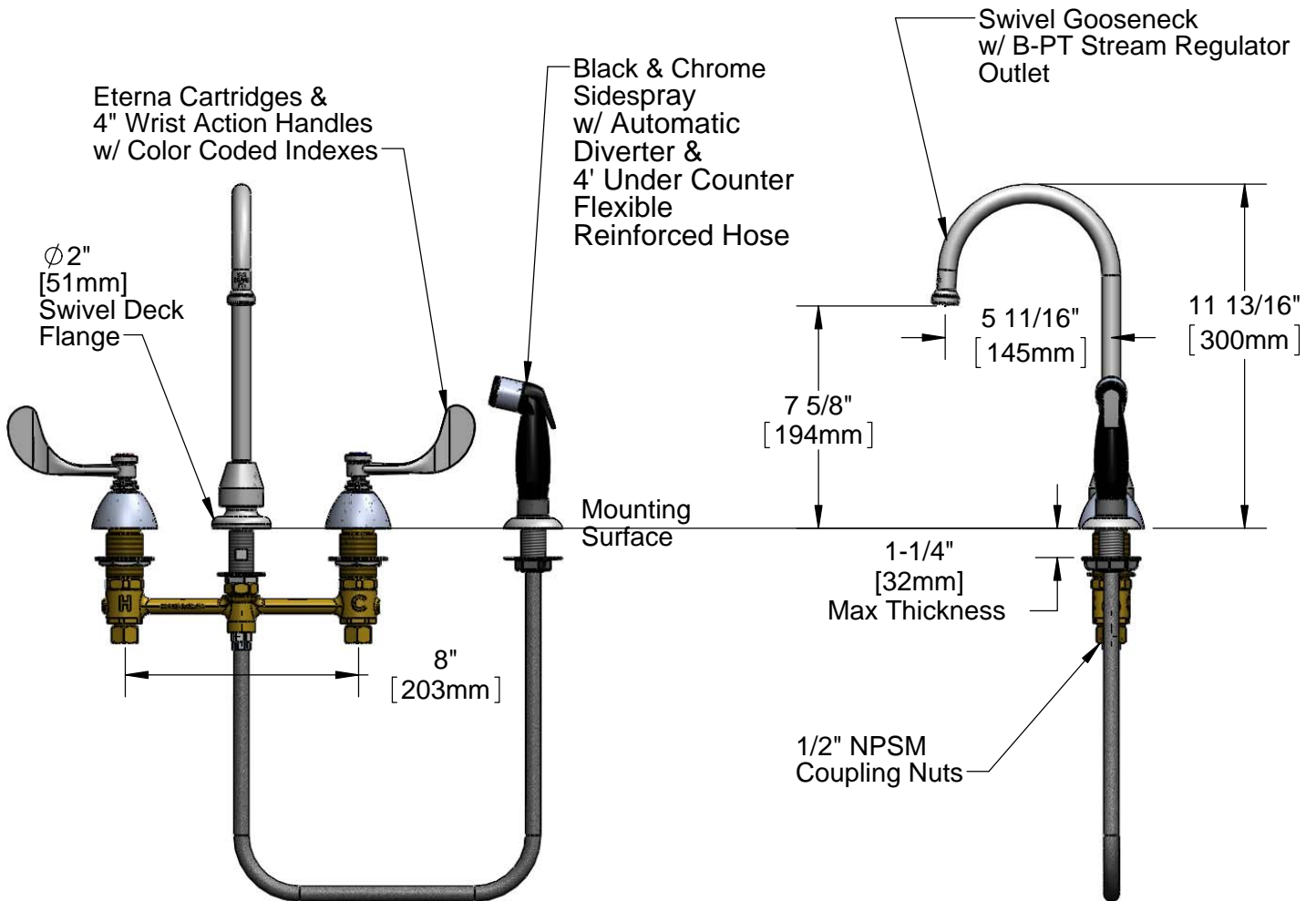
Customer/Wholesaler _____

Contractor _____

Architect/Engineer _____



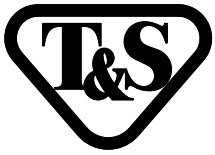
ADA Compliant



Rough-In Requirement:
 ϕ 1" [25mm] for Center Shank
 ϕ 1-1/2" [38mm] for Hot/Cold Side

Product Specifications:
 EasyInstall Faucet w/ 4' Sidespray, 4" Wrist Action Handles,
 Eterna Cartridges, 8" Inlet Centers & Swivel Gooseneck
 w/ Stream Regulator Outlet

Drawn JRM	Checked DMH	Approved JHB
Scale: 1:4		Date: 06/21/12



T&S BRASS AND BRONZE WORKS, INC.

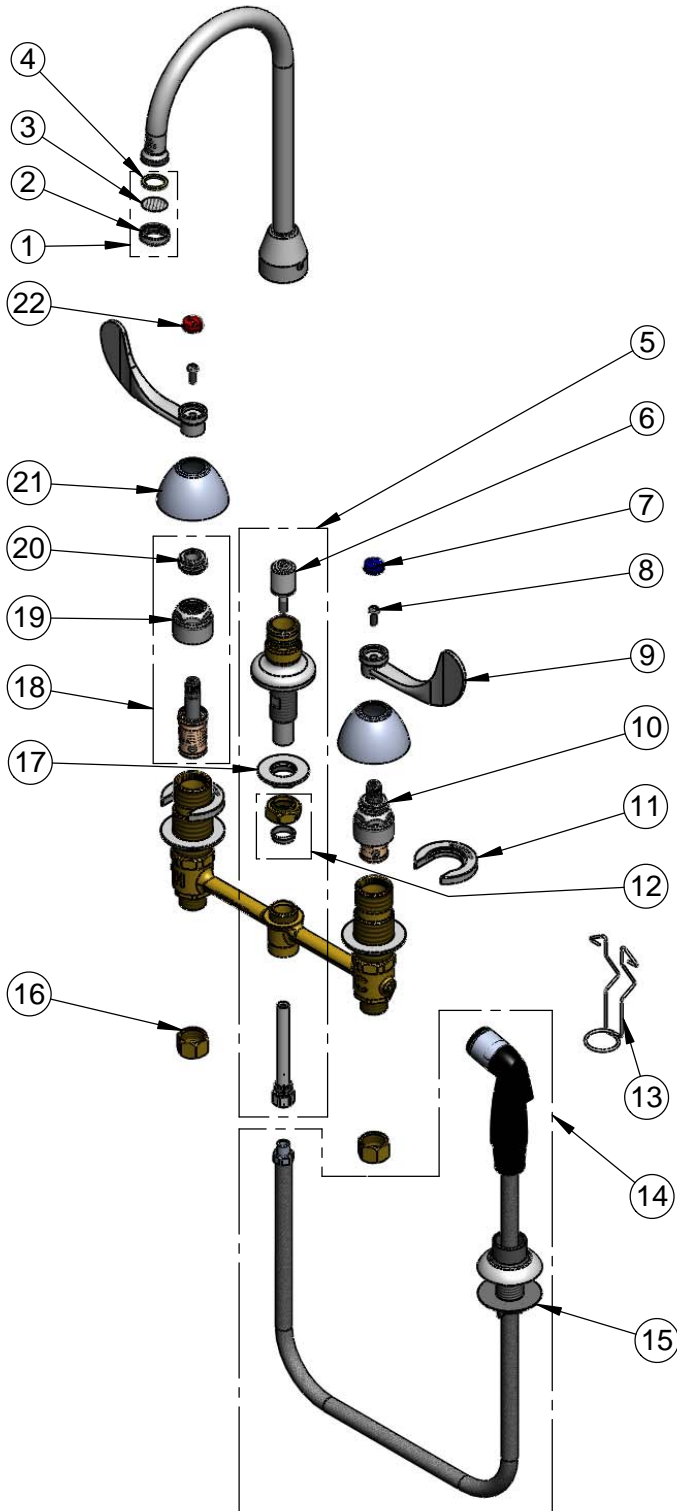
2 Saddleback Cove / P.O. Box 1088
Travelers Rest, SC 29690

Model No.

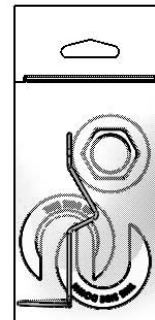
B-2347-08

Item No.

Travelers Rest, SC: 800-476-4103 • Simi Valley, CA: 800-423-0150 • Fax: 864-834-3518 • www.tsbrass.com



ITEM NO.	SALES NO.	DESCRIPTION
1	B-PT	Stream Regulator Outlet
2	000863-25	Index Ring
3	001323-45	Screen
4	001048-45	Washer
5	017208-40	Center Body Diverter Asy
6	002338-45	Diverter
7	001686-45	Blue CW Index
8	000925-45	Lab Handle Screw
9	B-WH4	4" Wrist Action Handle
10	016752-40	EasyInstall CWS LTC Eterna (Teflon)
11	016749-45	C-Washer
12	016745-45	Compression Nut & Fitting
13	016777-45	CWS Hanger
14	001495-45	4' Side Spray w/ Hose Guide
15	001496-45	Hose Guide
16	000958-20	Coupling Nut
17	016742-45	Center Flange Nut
18	016753-40	EasyInstall CWS RTC Eterna (Teflon)
19	016743-25	CWS Bonnet Assembly
20	009002-25	Packing Assembly
21	001257-40	Bell Escutcheon
22	001194-45	Red HW Index



017245-40
Installation Repair Kit
Includes #17, (2)#11, & #13

Product Specifications:

EasyInstall Faucet w/ 4' Sidespray, 4" Wrist Action Handles, Eterna Cartridges, 8" Inlet Centers & Swivel Gooseneck w/ Stream Regulator Outlet

Drawn

JRM

Checked

DMH

Approved

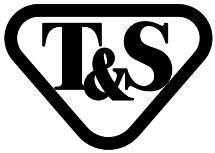
JHB

Scale:

NTS

Date:

06/21/12



T&S BRASS AND BRONZE WORKS, INC.

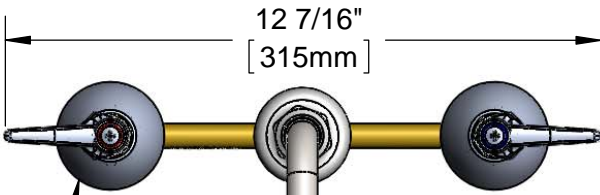
2 Saddleback Cove / P.O. Box 1088
Travelers Rest, SC 29690

Model No.

B-2347-09

Item No.

Travelers Rest, SC: 800-476-4103 • Simi Valley, CA: 800-423-0150 • Fax: 864-834-3518 • www.tsbrass.com



Ø2-1/4"
[57mm]
Escutcheons



ADA Compliant

This Space for Architect/Engineer Approval

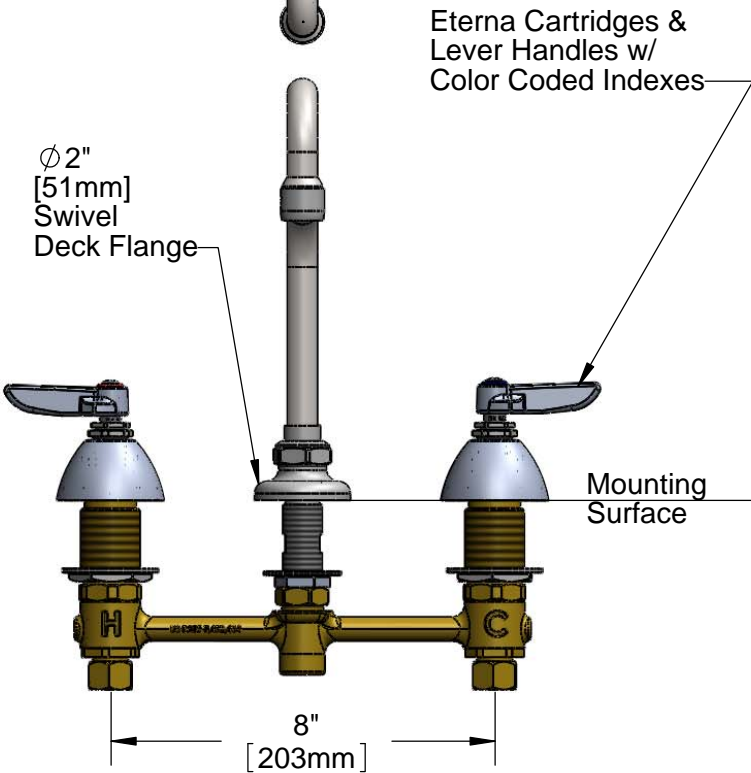
Job Name _____ Date _____

Model Specified _____ Quantity _____

Customer/Wholesaler _____

Contractor _____

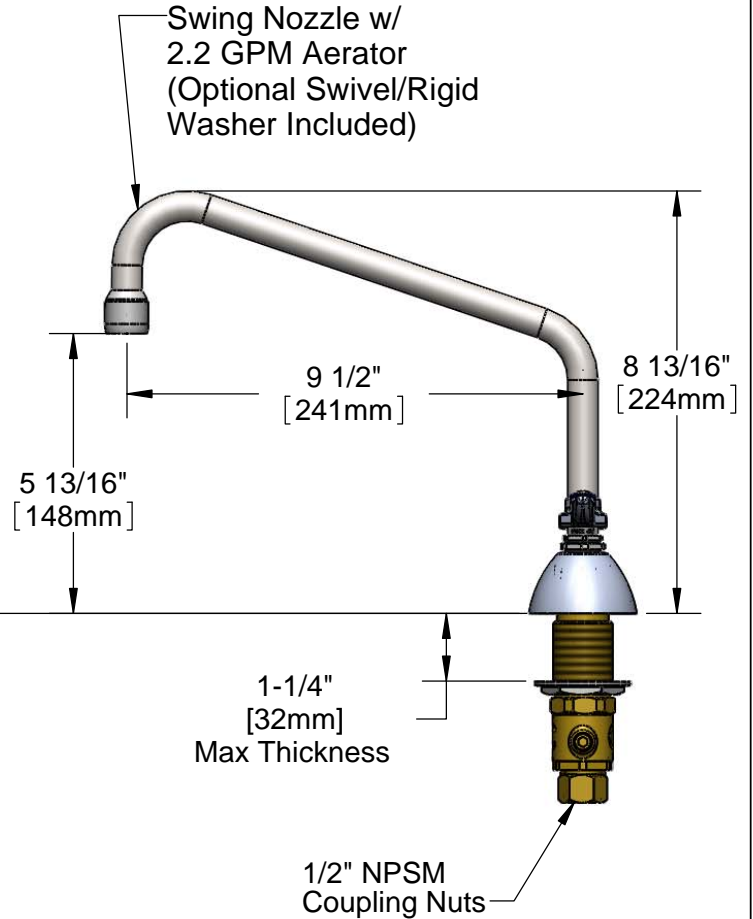
Architect/Engineer _____



Ø2"
[51mm]
Swivel
Deck Flange

Eterna Cartridges &
Lever Handles w/
Color Coded Indexes

Mounting
Surface



Swing Nozzle w/
2.2 GPM Aerator
(Optional Swivel/Rigid
Washer Included)

5 13/16"
[148mm]

9 1/2"
[241mm]

8 13/16"
[224mm]

1-1/4"
[32mm]
Max Thickness

1/2" NPSM
Coupling Nuts

Rough-In Requirement:

Ø 1" [25mm] for Center Shank

Ø 1-1/2" [38mm] for Hot/Cold Side

Product Specifications:

EasyInstall Faucet, Lever Handles, Eterna Cartridges,
8" Inlet Centers & Swing Nozzle w/ 2.2 GPM Aerator

Drawn

JRM

Checked

DMH

Approved

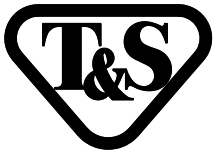
JHB

Scale:

1:4

Date:

06/21/12



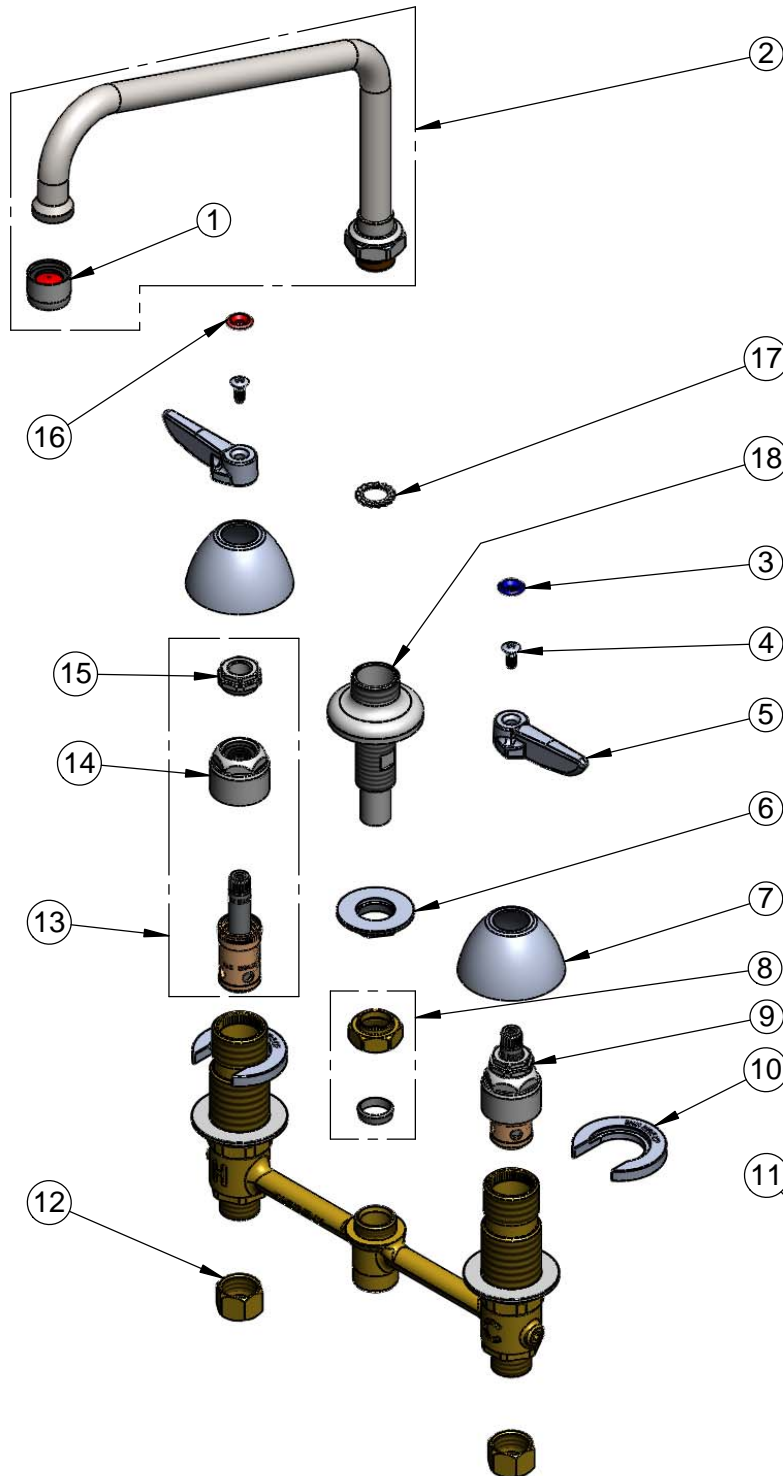
T&S BRASS AND BRONZE WORKS, INC.

2 Saddleback Cove / P.O. Box 1088
Travelers Rest, SC 29690

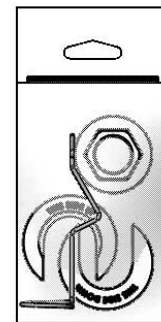
Model No.
B-2347-09

Item No.

Travelers Rest, SC: 800-476-4103 • Simi Valley, CA: 800-423-0150 • Fax: 864-834-3518 • www.tsbrass.com



ITEM NO.	SALES NO.	DESCRIPTION
1	B-0199-01	2.2 GPM Aerator
2	015499-40	B-2347-09 Swing Nozzle
3	001660-45	Blue Index-CW
4	000922-45	Lever Handle Screw
5	001638-45	Lever Handle
6	016742-45	Center Flange Nut
7	001257-40	Bell Escutcheon
8	016745-45	Compression Nut & Fitting
9	016752-40	EasyInstall CWS LTC Eterna (Teflon)
10	016749-45	C-Washer
11	016777-45	CWS Hanger
12	000958-20	Coupling Nut
13	016753-40	EasyInstall CWS RTC Eterna (Teflon)
14	016743-25	CWS Bonnet Assembly
15	009002-25	Packing Assembly
16	001661-45	Red Index-HW
17	014200-45	Star Washer, Anti-Rotation
18	016754-40	EasyInstall CWS Swivel Center Shank



017245-40
Installation Repair Kit
Includes #6, (2)#10, & #11

Product Specifications:
EasyInstall Faucet, Lever Handles, Eterna Cartridges,
8" Inlet Centers & Swing Nozzle w/ 2.2 GPM Aerator

Drawn JRM	Checked DMH	Approved JHB
Scale: NTS		Date: 06/21/12



T&S BRASS AND BRONZE WORKS, INC.

2 Saddleback Cove / P.O. Box 1088
Travelers Rest, SC 29690

Model No.

B-2347-09-WH4

Item No.

Travelers Rest, SC: 800-476-4103 • Simi Valley, CA: 800-423-0150 • Fax: 864-834-3518 • www.tsbrass.com

This Space for Architect/Engineer Approval

Job Name _____ Date _____

Model Specified _____ Quantity _____

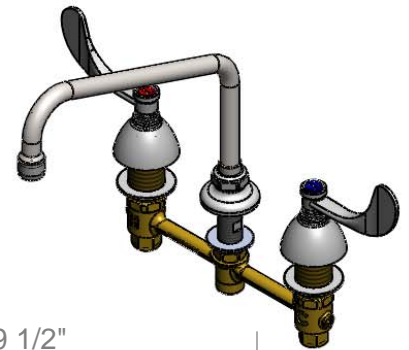
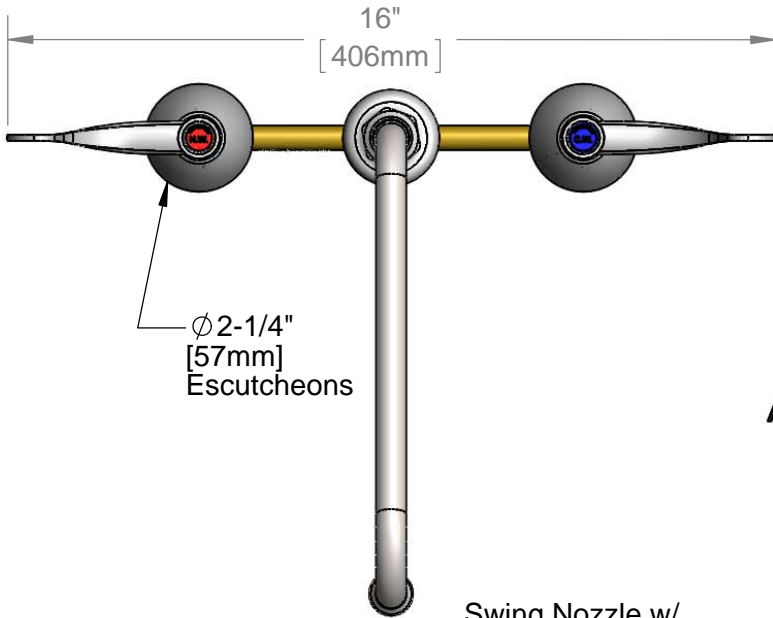
Customer/Wholesaler _____

Contractor _____

Architect/Engineer _____

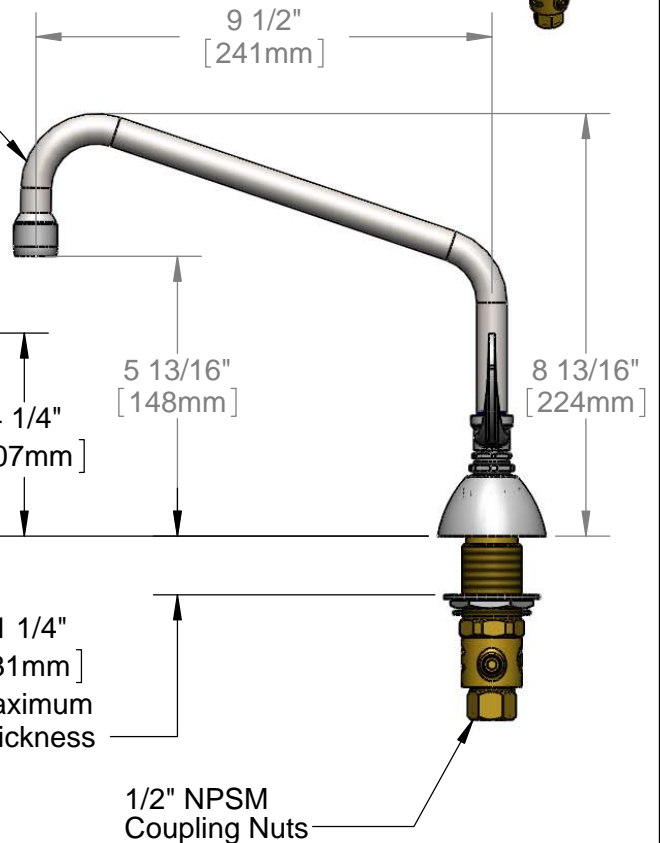
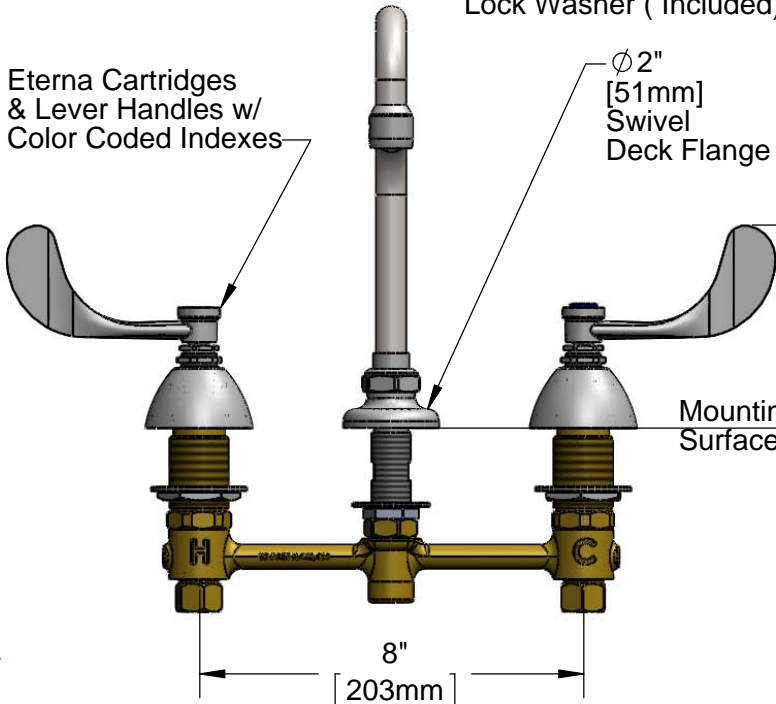


ADA Compliant



Swing Nozzle w/
2.2 GPM Aerator.
Rigid Conversion
Requires 014200-45
Lock Washer (Included)

Eterna Cartridges
& Lever Handles w/
Color Coded Indexes



Rough-In Requirement:
Ø 1" [25mm] for Center Shank
Ø 1 1/2" [38mm] for Hot/Cold Side

Product Specifications:
8" Deck Mount EasyInstall Mixing Faucet, Eterna Cartridges, 4" Wrist Action
Handles & Swing Nozzle w/ 2.2 GPM Aerator

Product Compliance:
ASME A112.18.1 / CSA B125.1
NSF 61 - Section 9
NSF 372 (Low Lead Content)
ANSI A117.1 (ADA)



T&S BRASS AND BRONZE WORKS, INC.

2 Saddleback Cove / P.O. Box 1088
Travelers Rest, SC 29690

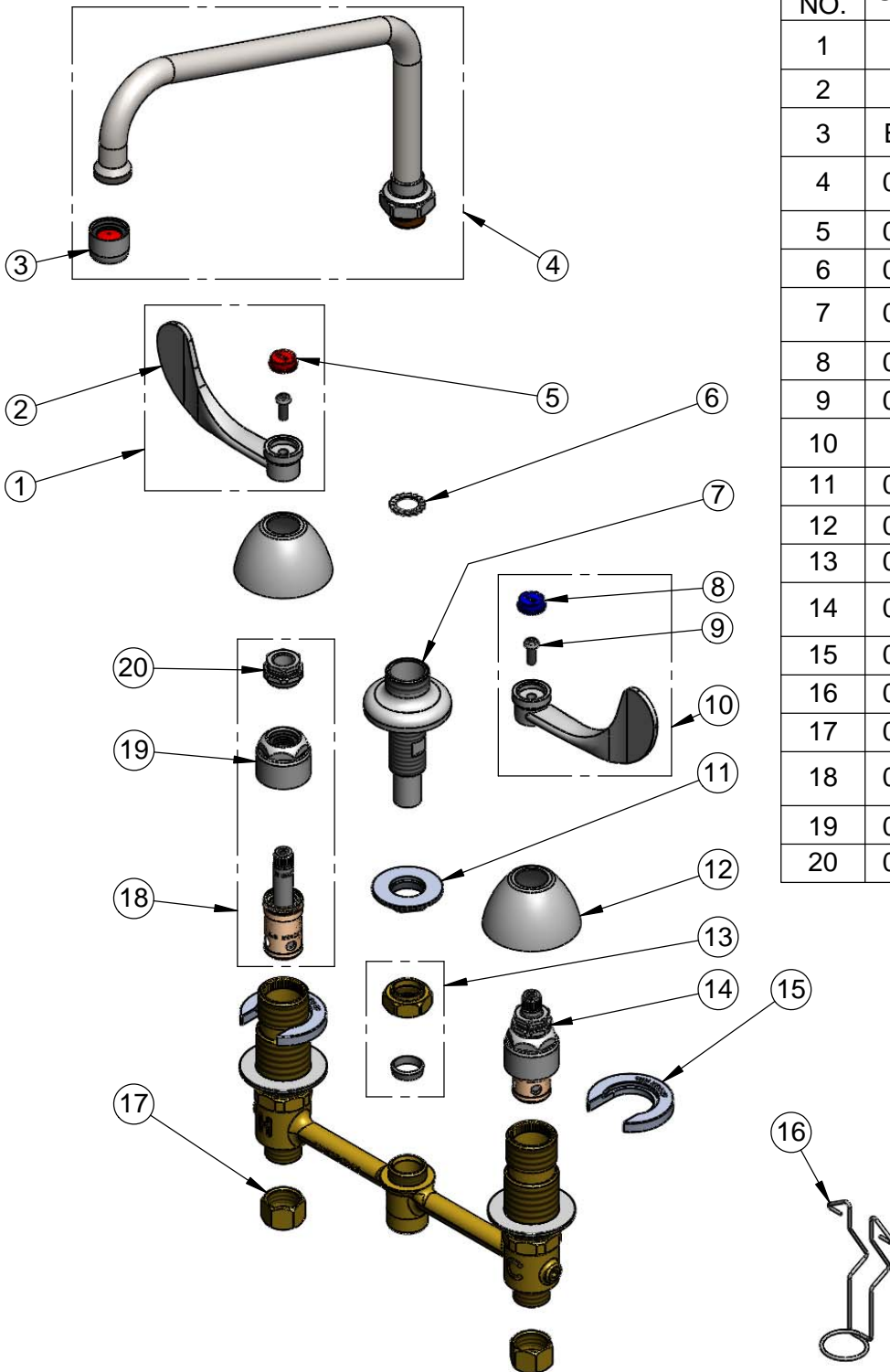
Model No.

B-2347-09-WH4

Item No.

Travelers Rest, SC: 800-476-4103 • Simi Valley, CA: 800-423-0150 • Fax: 864-834-3518 • www.tsbrass.com

ITEM NO.	SALES NO.	DESCRIPTION
1	B-WH4H	4" Wrist Action Handle, Screw & Hot Index
2	B-WH4	4" Wrist Action Handle
3	B-0199-01	2.2 GPM Aerator, 55/64"-27 UN Female
4	015499-40	B-2347-09 Swing Nozzle w/ B-0199-01 Aerator
5	001194-45	Red Index - HW
6	014200-45	Star Washer, Anti-Rotation
7	016754-40	EasyInstall CWS Swivel Center Shank
8	001686-45	Blue Index - CW
9	000925-45	Lab Handle Screw
10	B-WH4C	4" Wrist Action Handle, Screw & Cold Index
11	016742-45	Center Flange Nut
12	001257-40	Bell Escutcheon
13	016745-45	Compression Nut & Fitting
14	016752-40	EasyInstall CWS LTC Eterna (Teflon)
15	016749-45	Sidebody C-Washer
16	016777-45	CWS Hanger
17	000958-20	Coupling Nut
18	016753-40	EasyInstall CWS RTC Eterna (Teflon)
19	016743-25	CWS Eterna Bonnet
20	009002-25	Packing Nut



017245-40
Installation Repair Kit
Includes #11, (2)#15, & #16

Product Specifications:

8" Deck Mount EasyInstall Mixing Faucet, Eterna Cartridges, 4" Wrist Action Handles & Swing Nozzle w/ 2.2 GPM Aerator

Product Compliance:

ASME A112.18.1 / CSA B125.1
NSF 61 - Section 9
NSF 372 (Low Lead Content)
ANSI A117.1 (ADA)



T&S BRASS AND BRONZE WORKS, INC.

2 Saddleback Cove / P.O. Box 1088
Travelers Rest, SC 29690

Model No.

B-2347-10

Item No.

Travelers Rest, SC: 800-476-4103 • Simi Valley, CA: 800-423-0150 • Fax: 864-834-3518 • www.tsbrass.com

This Space for Architect/Engineer Approval

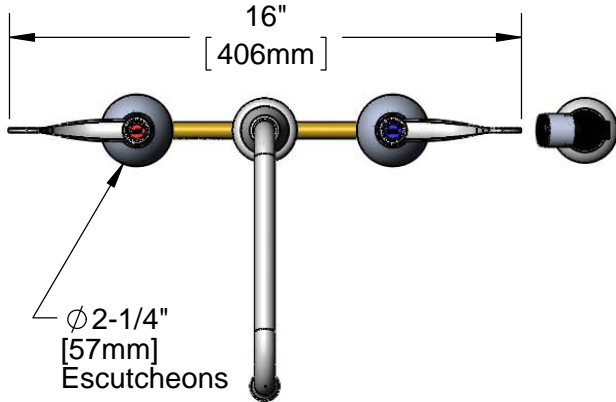
Job Name _____ Date _____

Model Specified _____ Quantity _____

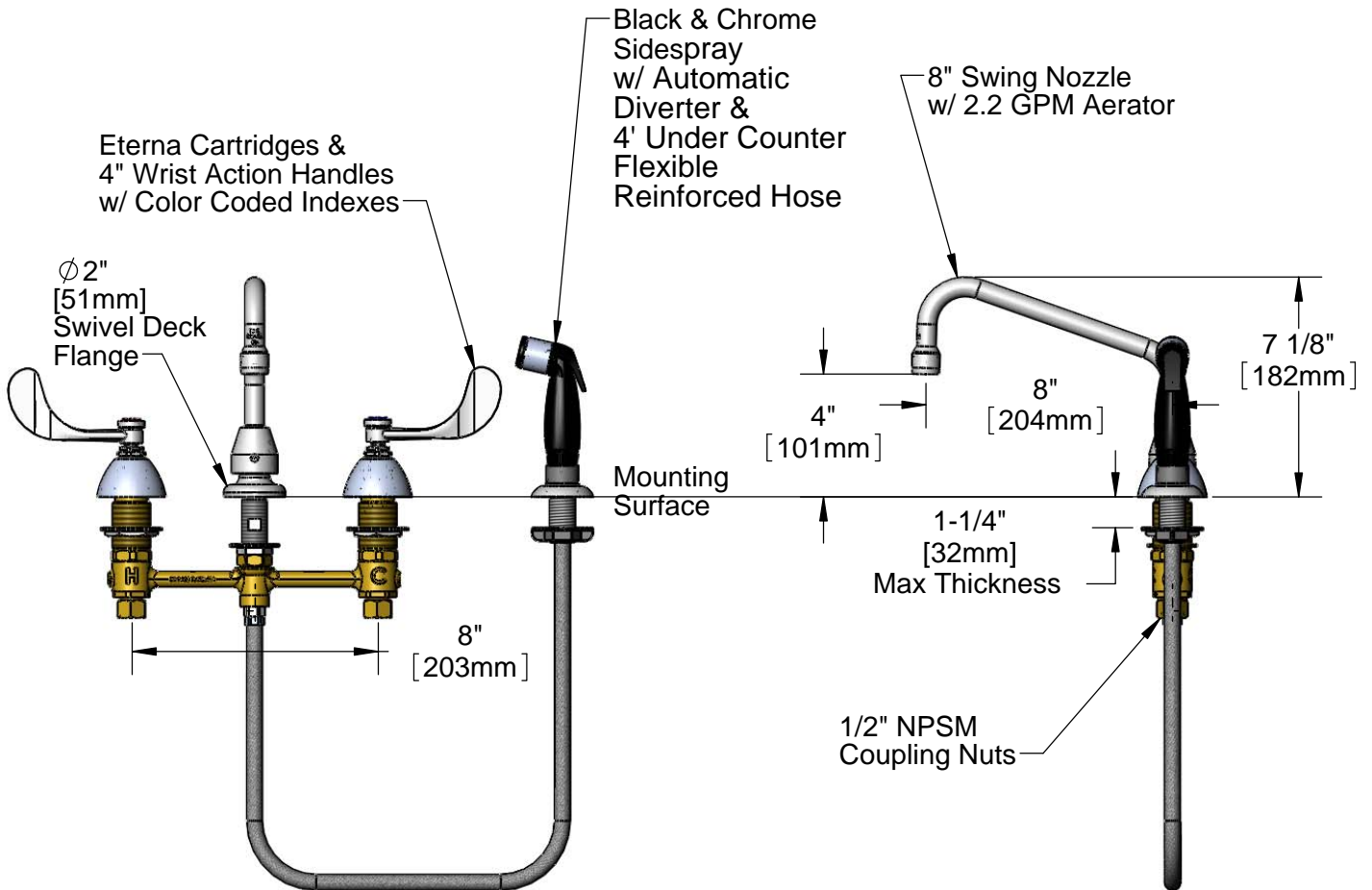
Customer/Wholesaler _____

Contractor _____

Architect/Engineer _____



ADA Compliant



Rough-In Requirement:
 Ø 1" [25mm] for Center Shank
 Ø 1-1/2" [38mm] for Hot/Cold Side

Product Specifications:
 EasyInstall Faucet w/ 4' Sidespray, 4" Wrist Action Handles, Eterna Cartridges, 8" Inlet Centers & Swing Nozzle w/ 2.2 GPM Aerator

Drawn JRM	Checked DMH	Approved JHB
Scale: 1:4		Date: 06/21/12



T&S BRASS AND BRONZE WORKS, INC.

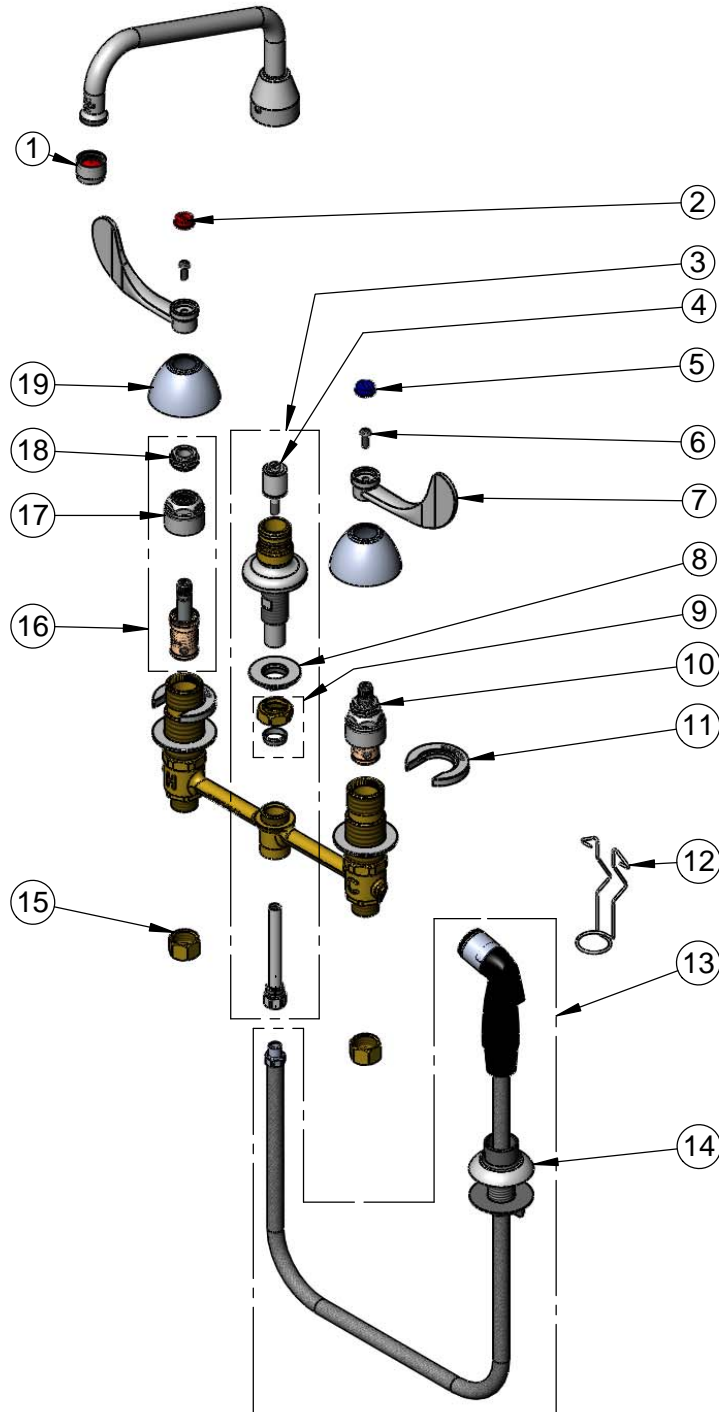
2 Saddleback Cove / P.O. Box 1088
Travelers Rest, SC 29690

Model No.

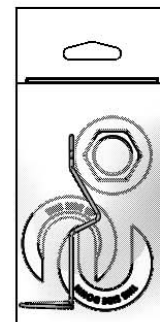
B-2347-10

Item No.

Travelers Rest, SC: 800-476-4103 • Simi Valley, CA: 800-423-0150 • Fax: 864-834-3518 • www.tsbrass.com



ITEM NO.	SALES NO.	DESCRIPTION
1	B-0199-01	2.2 GPM Aerator
2	001194-45	Red HW Index
3	017208-40	Center Body Diverter Asy
4	002338-45	Diverter
5	001686-45	Blue CW Index
6	000925-45	Lab Handle Screw
7	B-WH4	4" Wrist Action Handle
8	016742-45	Center Flange Nut
9	016745-45	Compression Nut & Fitting
10	016752-40	EasyInstall CWS LTC Eterna (Teflon)
11	016749-45	C-Washer
12	016777-45	CWS Hanger
13	001495-45	4' Side Spray w/ Hose Guide
14	001496-45	Hose Guide
15	000958-20	Coupling Nut
16	016753-40	EasyInstall CWS RTC Eterna (Teflon)
17	016743-25	CWS Bonnet Assembly
18	009002-25	Packing Assembly
19	001257-40	Bell Escutcheon



017245-40
Installation Repair Kit
Includes #8, (2)#11, & #12

Product Specifications:

EasyInstall Faucet w/ 4' Sidespray, 4" Wrist Action Handles, Eterna Cartridges, 8" Inlet Centers & Swing Nozzle w/ 2.2 GPM Aerator

Drawn

JRM

Checked

DMH

Approved

JHB

Scale:

NTS

Date:

06/21/12



T&S BRASS AND BRONZE WORKS, INC.

2 Saddleback Cove / P.O. Box 1088
Travelers Rest, SC 29690



REG. #A2601
ISO #9001

Model No.

B-2347-11

Item No.

Travelers Rest, SC: 800-476-4103 Simi Valley, CA: 800-423-0150 Fax: 864-834-3518 www.tsbrass.com

This Space for Architect/Engineer Approval

Job Name _____ Date _____

Model Specified _____ Quantity _____

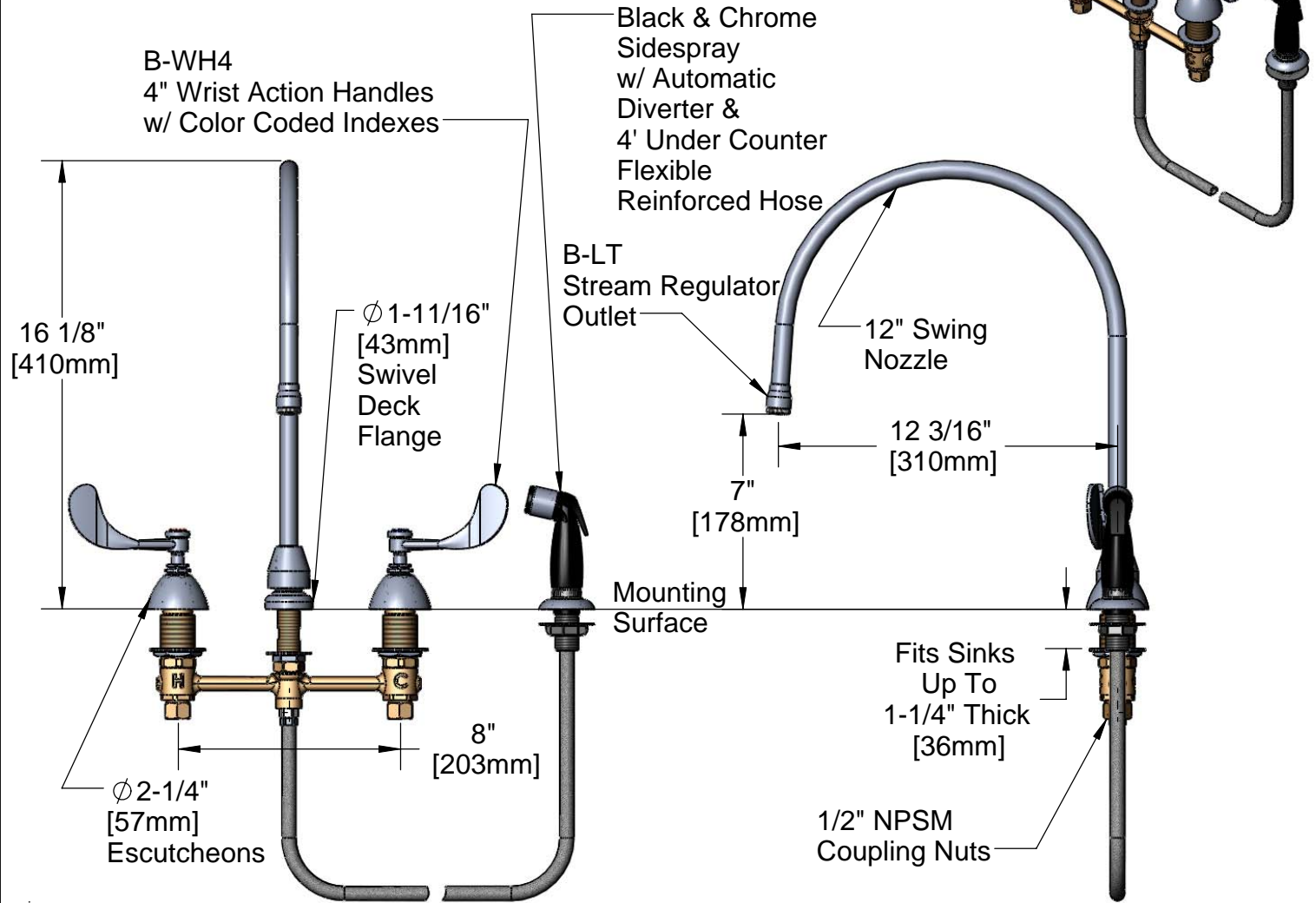
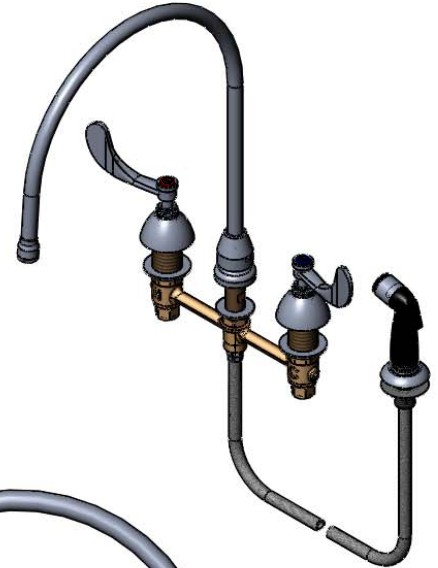
Customer/Wholesaler _____

Contractor _____

Architect/Engineer _____



ADA Compliant



Note: Rough-In Required:
 Ø 1" [25mm] for Center Shank
 Ø 1-1/2" [38mm] for Hot/Cold Side [1-1/4" [32mm] Minimum]

Product Specifications:
EasyInstall Faucet w/ 4' Sidespray, 4" Wrist Action Handles, Compression Cartridges, 8" Inlet Centers & 12" Swing Nozzle w/ Stream Regulator

Drawn JRM	Checked GEF	Approved JHB
Scale: NTS		Date: 7/31/08



T&S BRASS AND BRONZE WORKS, INC.

2 Saddleback Cove / P.O. Box 1088
Travelers Rest, SC 29690



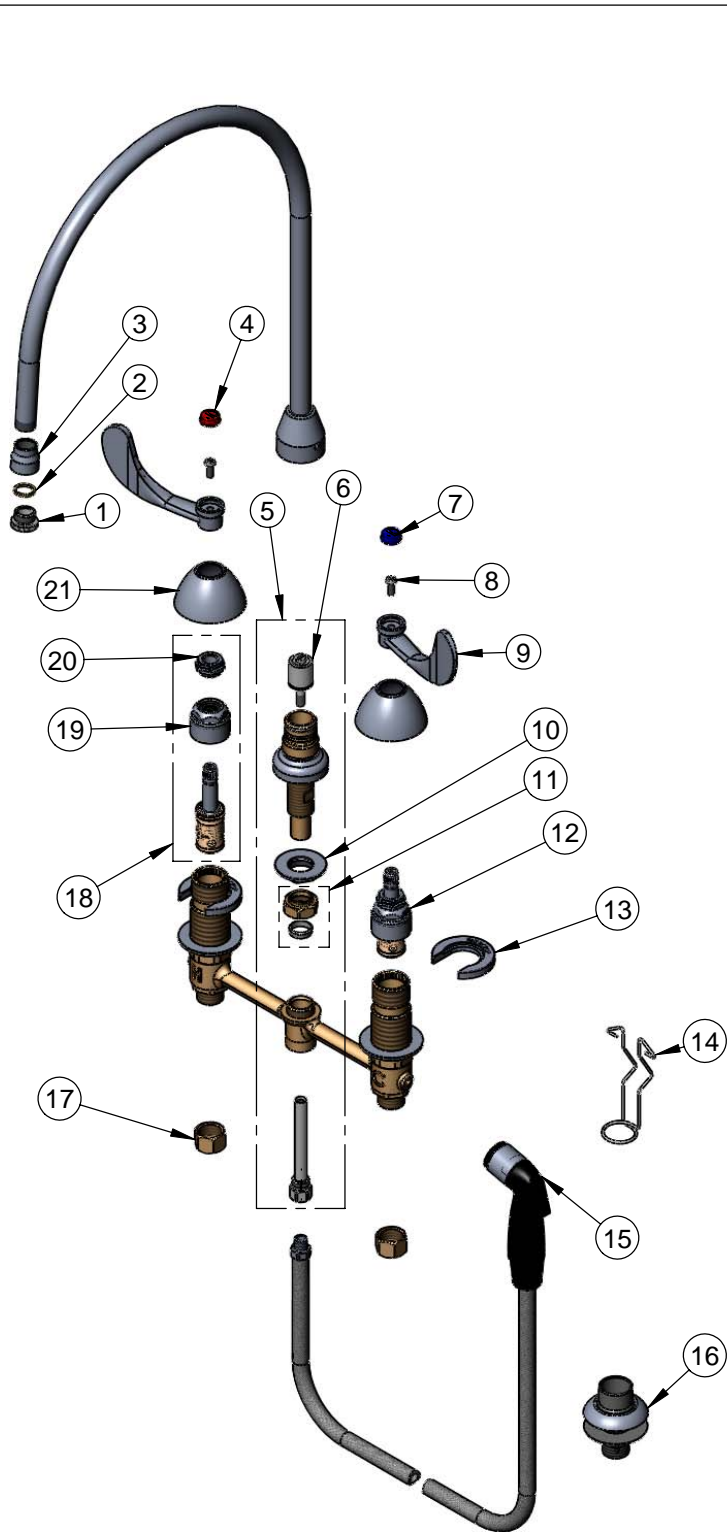
REG. #A2601
ISO #9001

Model No.

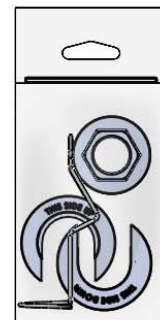
B-2347-11

Item No.

Travelers Rest, SC: 800-476-4103 Simi Valley, CA: 800-423-0150 Fax: 864-834-3518 www.tsbrass.com



ITEM NO.	SALES NO.	DESCRIPTION
1	B-LT	Stream Regulator Outlet
2	009636-45	Washer
3	000557-25	Bell Adapter
4	001194-45	Red HW Index
5	017208-40	Center Body Diverter Asy
6	002338-45	Diverter
7	001686-45	Blue CW Index
8	000925-45	Lab Handle Screw
9	B-WH4	4" Wrist Action Handle
10	016742-45	Center Flange Nut
11	016745-45	Compression Nut & Fitting
12	016752-40	CWS Bonnet & LTC Eterna Cartridge
13	016749-45	C-Washer
14	016777-45	CWS Hanger
15	001495-45	Side Spray
16	001496-45	Hose Guide
17	000958-20	Coupling Nut
18	016753-40	CWS Bonnet & RTC Eterna Cartridge
19	016743-25	CWS Bonnet Assembly
20	009002-25	Packing Assembly
21	001257-40	Bell Escutcheon

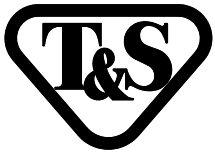


017245-40
Installation Repair Kit
Includes #10, (2)#13, & #14

Product Specifications:

EasyInstall Faucet w/ 4" Sidespray, 4" Wrist Action Handles, Compression Cartridges, 8" Inlet Centers & 12" Swing Nozzle w/ Stream Regulator

Drawn JRM	Checked GEF	Approved JHB
Scale: NTS		Date: 7/31/08



T&S BRASS AND BRONZE WORKS, INC.

2 Saddleback Cove / P.O. Box 1088
Travelers Rest, SC 29690

Model No.

B-2347-166X

Item No.

Travelers Rest, SC: 800-476-4103 • Simi Valley, CA: 800-423-0150 • Fax: 864-834-3518 • www.tsbrass.com

This Space for Architect/Engineer Approval

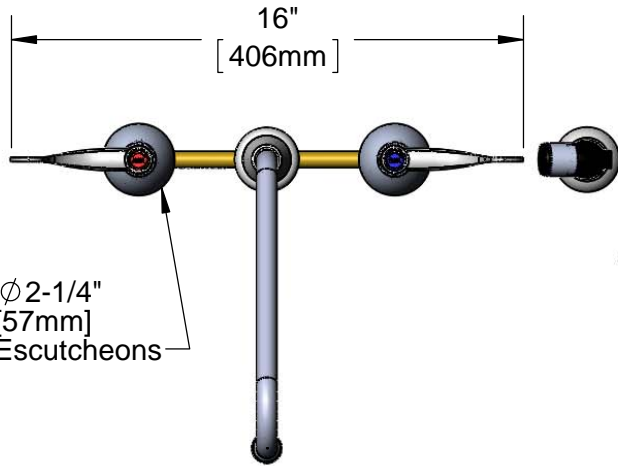
Job Name _____ Date _____

Model Specified _____ Quantity _____

Customer/Wholesaler _____

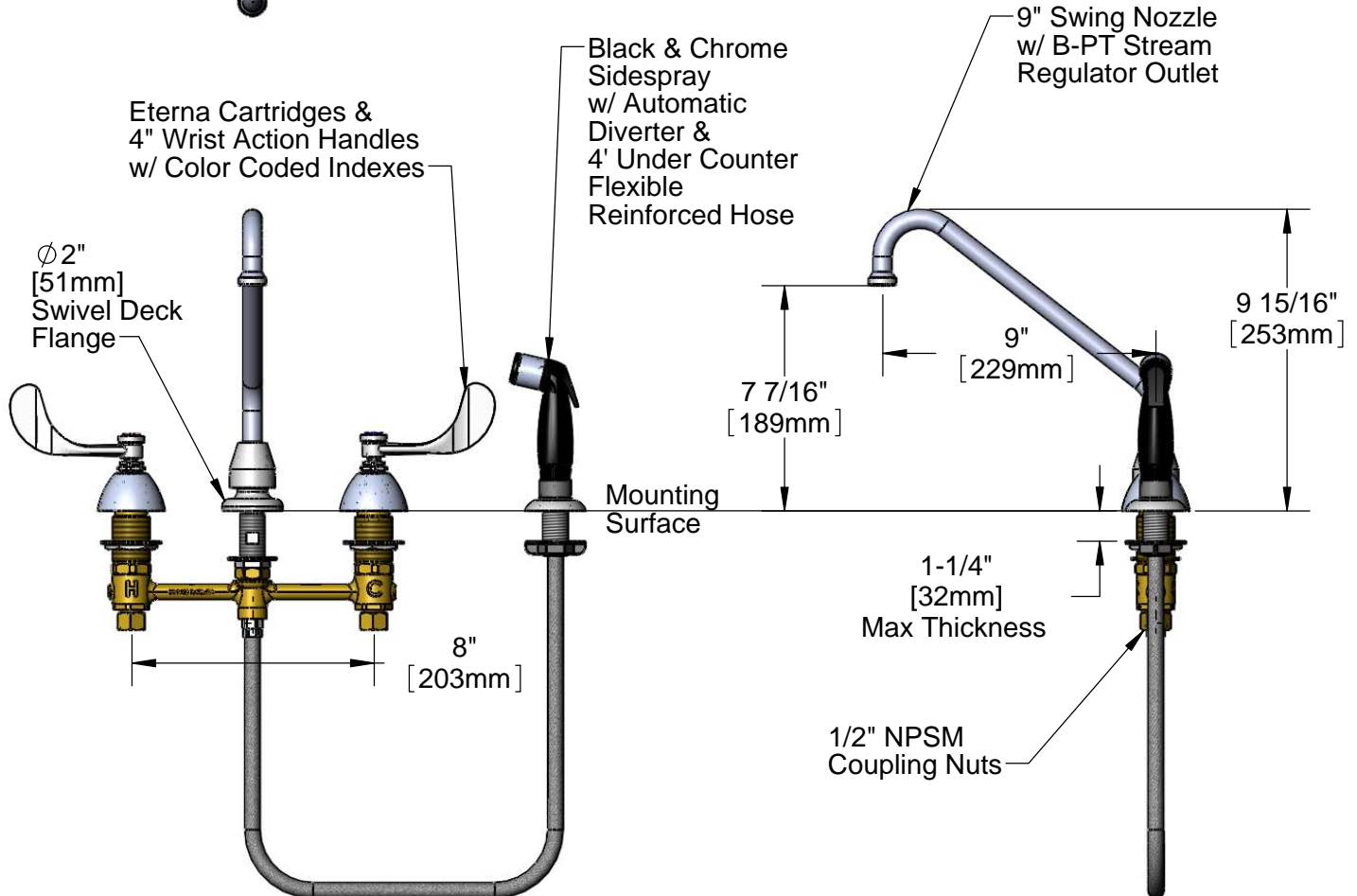
Contractor _____

Architect/Engineer _____



ADA Compliant

Ø 2-1/4"
[57mm]
Escutcheons



Eterna Cartridges &
4" Wrist Action Handles
w/ Color Coded Indexes

Black & Chrome
Sidespray
w/ Automatic
Diverter &
4' Under Counter
Flexible
Reinforced Hose

9" Swing Nozzle
w/ B-PT Stream
Regulator Outlet

Ø 2"
[51mm]
Swivel Deck
Flange

7 7/16"
[189mm]

9"
[229mm]

9 15/16"
[253mm]

Mounting
Surface

1-1/4"
[32mm]
Max Thickness

8"
[203mm]

1/2" NPSM
Coupling Nuts

Rough-In Requirement:
Ø 1" [25mm] for Center Shank
Ø 1-1/2" [38mm] for Hot/Cold Side

Product Specifications:
EasyInstall Faucet w/ 4' Sidespray, 4" Wrist Action Handles,
Eterna Cartridges, 8" Inlet Centers & 9" Swing Nozzle w/
Stream Regulator Outlet

Drawn

JRM

Checked

DMH

Approved

JHB

Scale:

1:4

Date:

06/21/12

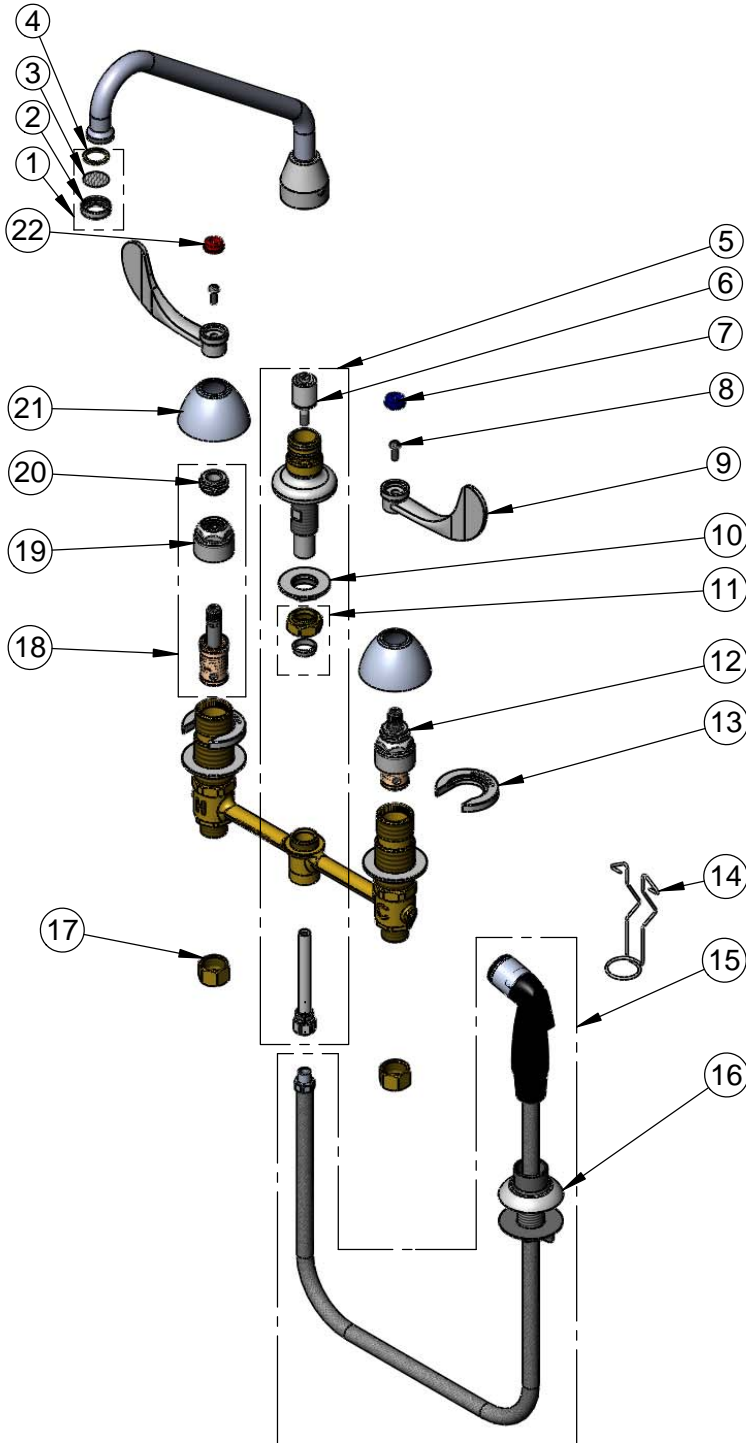


T&S BRASS AND BRONZE WORKS, INC.
 2 Saddleback Cove / P.O. Box 1088
 Travelers Rest, SC 29690

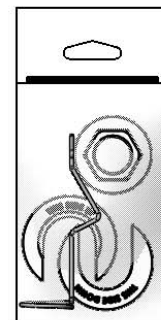
Model No.
B-2347-166X

Item No.

Travelers Rest, SC: 800-476-4103 • Simi Valley, CA: 800-423-0150 • Fax: 864-834-3518 • www.tsbrass.com



ITEM NO.	SALES NO.	DESCRIPTION
1	B-PT	Stream Regulator Outlet
2	000863-25	Index Ring
3	001323-45	Screen
4	001043-45	Washer
5	017208-40	Center Body Diverter Asy
6	002338-45	Diverter
7	001686-45	Blue CW Index
8	000925-45	Lab Handle Screw
9	B-WH4	4" Wrist Action Handle
10	016742-45	Center Flange Nut
11	016745-45	Compression Nut & Fitting
12	016752-40	EasyInstall CWS LTC Eterna (Teflon)
13	016749-45	C-Washer
14	016777-45	CWS Hanger
15	001495-45	4' Side Spray w/ Hose Guide
16	001496-45	Hose Guide
17	000958-20	Coupling Nut
18	016753-40	EasyInstall CWS RTC Eterna (Teflon)
19	016743-25	CWS Bonnet Assembly
20	009002-25	Packing Assembly
21	001257-40	Bell Escutcheon
22	001194-45	Red HW Index



017245-40
 Installation Repair Kit
 Includes #10, (2)#13, & #14

Product Specifications:
 EasyInstall Faucet w/ 4' Sidespray, 4" Wrist Action Handles,
 Eterna Cartridges, 8" Inlet Centers & 9" Swing Nozzle w/
 Stream Regulator Outlet

Drawn JRM	Checked DMH	Approved JHB
Scale: NTS		Date: 06/21/12