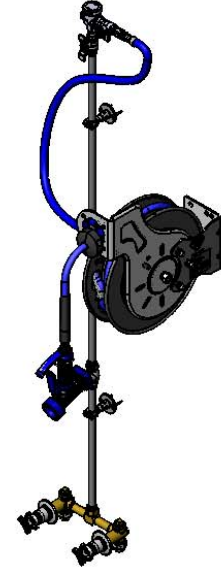
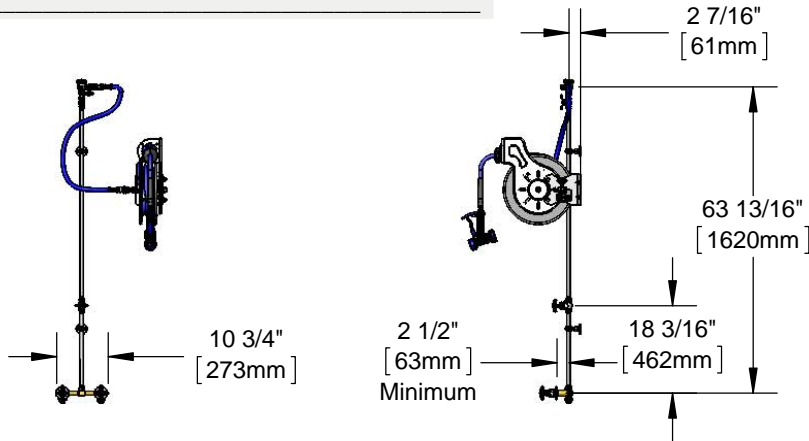


**Architect/Engineering Specifications:**

8" wall mount concealed mixing faucet with chrome plated escutcheon with rough brass body, compression cartridges, 4-arm handles, 1/2" NPT female union inlets, 1/2" NPT in-line check valves with 1/2" NPT female inlets, 16" riser, control valve, 40" riser, wall brackets, continuous pressure vacuum breaker, 36" flexible water hose connector with stainless steel quick disconnect, open coated hose reel with 3/8" x 35' heavy-duty non-marking hose, ratcheting system, high flow stainless steel front trigger water gun, multi-fit bracket and adjustable hose bumper. Certified to ASSE 1056.

Job Name _____
 Model Specified _____ Quantity _____
 Variations Specified _____
 Date _____

**Features & Benefits:**

- All-in-one system with exposed piping and accessories
- 8" wall mount concealed mixing faucet w/ chrome plated escutcheon and rough brass body
- Eterna compression cartridges
- 4-arm handles w/ color coded indexes
- Mixing faucet, 1/2" NPT female union inlets
- 1/2" NPT in-line check valves w/ 1/2" NPT female inlets
- 16" and 40" risers w/ control valve between risers
- (2) 2 3/8" wall brackets
- Continuous pressure vacuum breaker
- 36" flexible water hose connector with stainless steel quick disconnect
- Open coated hose reel
- High flow stainless steel water gun w/ blue rubber cove, front style trigger & $\varnothing 5/16"$ flow orifice
- 3/8" x 35' heavy-duty non-marking hose rated to 300 PSI
- Ratcheting system holds the length of hose until a slight tug to retract automatically
- Adjustable hose bumper
- Multi-fit bracket for wall, ceiling or under counter mounting
- Material: Polished chrome plated brass faucet body, risers and spray valve body, chrome plated metal handles, control valve and vacuum breaker and metal open reel.

Product Compliance:

- NSF 61 Exempt (Non-Potable)
- EPA Act 2005 Non-Compliant (PRSV)
- ASSE 1056 (VB)

**Warranty: One Year (Limited)**

- Hose Reel: Two Year (Limited)
- Hose: 90 Day (Limited)

Performance Data:

- Pressure: 20 - 125 psi
- Temperature: 40°F - 140°F
- Flow Rate: 2.93 GPM @ 60 psi

Optional Cartridges With Checks

- Quarter Turn Cerama w/ Check Valve
- Eterna (Standard)
- Quarter Turn Eterna w/ Spring Check

Optional Hose Reel Spray Valves

- B-0107 Spray Valve
- B-0108 Ergonomic Medium Flow Spray Valve
- B-0108-H Ergonomic High Flow Spray Valve
- EB-0107 High Flow Spray Valve
- EB-2322 Extended Spray Wand
- MV-2516-24 Stainless Steel Rear Trigger Water Gun
- MV-2522-24 Stainless Steel Front Trigger Water Gun (Standard)
- MV-3516-24 Aluminum Rear Trigger Water Gun

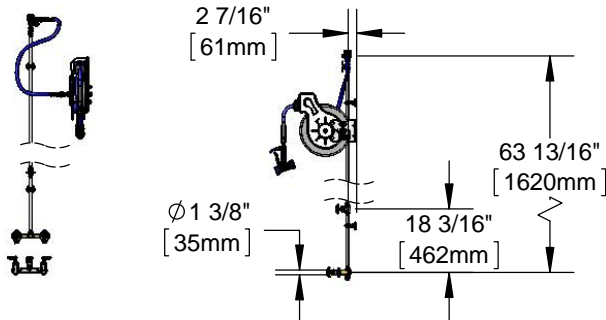




Architect/Engineering Specifications:

Hose reel system, 8" wall mount mixing faucet with polished chrome plated brass body, polished chrome plated brass spout with vacuum breaker, pail hook and garden hose male outlet, compression cartridges with spring checks, lever handles, 1/2" NPT female inlets and built-in service stops in body, 8" concealed bypass mixing valve with chrome plated escutcheon with rough brass body, compression cartridges with spring checks, 4-arm handles, 1/2" NPT female union inlets, 1/2" NPT in-line check valves with 1/2" NPT female inlets, 16" riser, control valve, 40" riser, wall brackets, continuous pressure vacuum breaker, 36" flexible water hose connector with stainless steel quick disconnect, open coated hose reel with 3/8" x 35' heavy-duty non-marking hose, ratcheting system, high flow stainless steel front trigger water gun, multi-fit bracket and adjustable hose bumper. Certified to ASSE 1056 and ASSE 1001.

Job Name	
Model Specified	Quantity
Variations Specified	
Date	



Features & Benefits:

- All-in-one system with exposed piping and accessories
- B-0674-BSTP
- 8" wall mount concealed mixing faucet w/ chrome plated escutcheon, rough brass body & 4-arm handles
- Eterna compression cartridges w/ spring checks in both bodies
- Both handles have color coded indexes
- 1/2" NPT in-line check valves w/ 1/2" NPT female inlets
- 16" and 40" risers w/ control valve between risers
- (2) 2 3/8" wall brackets
- Continuous pressure vacuum breaker
- 36" flexible water hose connector with stainless steel quick disconnect
- Open coated hose reel
- High flow stainless steel water gun w/ blue rubber cove, front style trigger & $\phi 5/16"$ flow orifice
- 3/8" x 35' heavy-duty non-marking hose rated to 300 PSI
- Ratcheting system holds the length of hose until a slight tug to retract automatically
- Adjustable hose bumper
- Multi-fit bracket for wall, ceiling or under counter mounting
- Material: Polished chrome plated brass faucet body, risers and spray valve body, chrome plated metal handles, control valve and vacuum breaker and metal open reel.

Product Compliance:

- NSF 61 Exempt (Non-Potable)
- EPA 2005 Non-Compliant (PRSV)
- ASSE 1056 (VB)
- ASSE 1001 (VB)



Warranty: One Year (Limited)

- Hose Reel: Two Year (Limited)
- Hose: 90 Day (Limited)

Performance Data:

- Pressure: 20 - 125 psi
- Temperature: 40°F - 140°F
- Flow Rate: 13.13 GPM @ 60 psi
Spray Valve: 3.05 GPM @ 60 psi

Optional Cartridges With Checks

- Quarter Turn Cerama w/ Check Valve
- Quarter Turn Eterna w/ Spring Check (Standard)

Optional Hose Reel Spray Valves

- B-0107 Spray Valve
- B-0108 Ergonomic Medium Flow Spray Valve
- B-0108-H Ergonomic High Flow Spray Valve
- EB-0107 High Flow Spray Valve
- EB-2322 Extended Spray Wand
- MV-2516-24 Stainless Steel Rear Trigger Water Gun
- MV-2522-24 Stainless Steel Front Trigger Water Gun (Standard)
- MV-3516-24 Aluminum Rear Trigger Water Gun

