



# T&S BRASS AND BRONZE WORKS, INC.

2 Saddleback Cove / P.O. Box 1088  
Travelers Rest, SC 29690

Model No.

**B-1453**

Item No.

Travelers Rest, SC: 800-476-4103 • Simi Valley, CA: 800-423-0150 • Fax: 864-834-3518 • www.tsbrass.com

This Space for Architect/Engineer Approval

Job Name \_\_\_\_\_ Date \_\_\_\_\_

Model Specified \_\_\_\_\_ Quantity \_\_\_\_\_

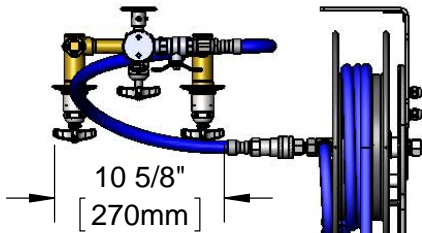
Customer/Wholesaler \_\_\_\_\_

Contractor \_\_\_\_\_

Architect/Engineer \_\_\_\_\_

B-0963

Continuous Pressure  
Vacuum Breaker  
w/ Integral  
Check Valve



3/8" NPT x 36"  
Flexible Water  
Connector

3/8" NPT x 40"  
Riser

Stainless Steel  
Quick Disconnect

Control Valve

(2) B-0109-07  
Wall Brackets

3/8" NPT x 16"  
Riser

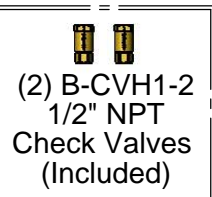
8"  
[203mm]

Rough-In Requirement:  
(2)  $\varnothing$  1 1/2" [38mm] Mounting Holes

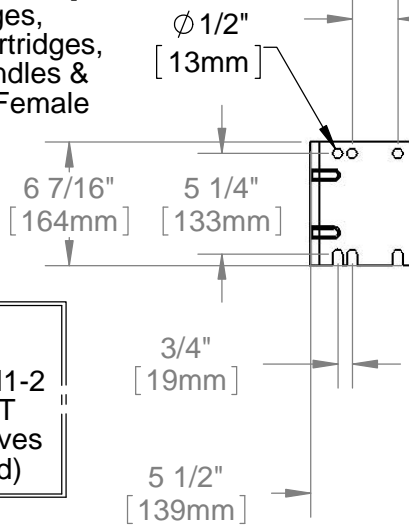
Open Coated Hose Reel  
w/ 35' of 3/8" Hose

Front Trigger  
Water Gun

8" Concealed  
Mixing Valve w/  
 $\varnothing$  2 5/8" [67mm]  
Wall Flanges,  
Eterna Cartridges,  
4-Arm Handles &  
1/2" NPT Female  
Inlets



(2) B-CVH1-2  
1/2" NPT  
Check Valves  
(Included)



2 3/8"  
[60mm]

2 1/2"  
[63mm]  
Minimum

2 7/16"  
[61mm]

63 13/16"  
[1620mm]

18 3/16"  
[462mm]

3 1/2"  
[89mm]  
Maximum

**Product Specifications:**

Open Coated Hose Reel w/ 35' of 3/8" Hose, Blue Front Trigger Water Gun, Vacuum Breaker, 3/8" NPT Flexible Water Connector, 8" Concealed Wall Mount Mixing Faucet, Control Valve & (2) Check Valves

**Product Compliance:**

NSF 61 Exempt (Non-Potable)  
EPA Act 2005 Non-Compliant (PRSV)  
ASSE 1056 (VB)



# T&S BRASS AND BRONZE WORKS, INC.

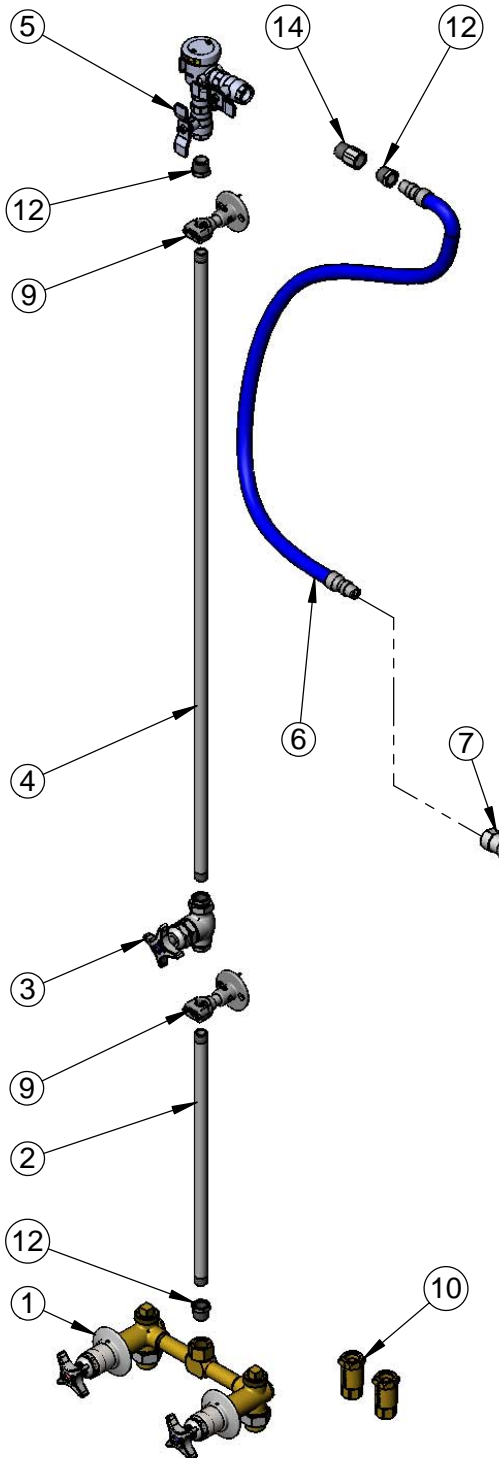
2 Saddleback Cove / P.O. Box 1088  
Travelers Rest, SC 29690

Model No.

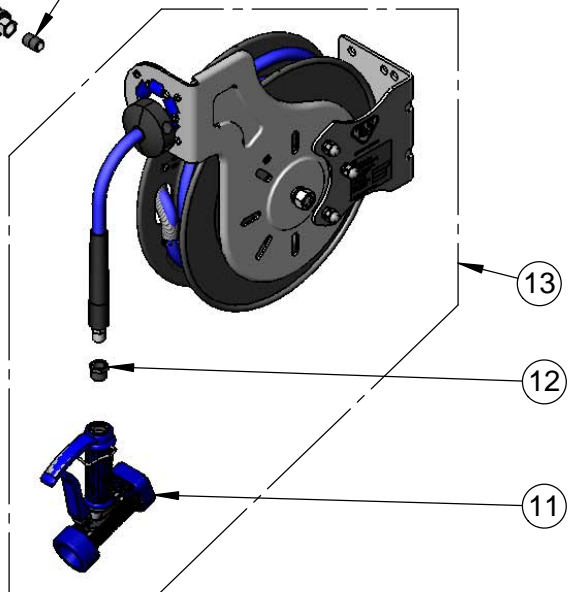
**B-1453**

Item No.

Travelers Rest, SC: 800-476-4103 • Simi Valley, CA: 800-423-0150 • Fax: 864-834-3518 • www.tsbrass.com



ITEM NO.	SALES NO.	DESCRIPTION
1	B-1035	8" Concealed Wall Mount Mixing Valve
2	000368-40	3/8" NPT x 16" Riser
3	0RK3	Control Valve
4	002558-40	3/8" NPT x 40" Riser
5	B-0963	1/2" NPT Continuous Pressure VB w/ Integral Check Valve
6	HW-2B-36	3/8" NPT x 36" Flexible Water Hose
7	AW-5B	3/8" NPT Quick Disconnect
8	002535-25	3/8" NPT Close Nipple
9	B-0109-07	Wall Bracket
10	B-CVH1-2	1/2" Check Valve
11	MV-2522-24	Stainless Steel Water Gun, Front Trigger
12	001359-40	1/2" NPT Male x 3/8" NPT Female Hex Bushing
13	B-7232-05	3/8" x 35 FT Reel w/ Front Trigger Water Gun
14	015073-40	Check Valve w/ 1/2" NPT Adapter



**Product Specifications:**

Open Coated Hose Reel w/ 35' of 3/8" Hose, Blue Front Trigger Water Gun, Vacuum Breaker, 3/8" NPT Flexible Water Connector, 8" Concealed Wall Mount Mixing Faucet, Control Valve & (2) Check Valves

**Product Compliance:**

NSF 61 Exempt (Non-Potable)  
EPA Act 2005 Non-Compliant (PRSV)  
ASSE 1056 (VB)



# T&S BRASS AND BRONZE WORKS, INC.

2 Saddleback Cove / P.O. Box 1088  
Travelers Rest, SC 29690

Model No.

**B-1454**

Item No.

Travelers Rest, SC: 800-476-4103 • Simi Valley, CA: 800-423-0150 • Fax: 864-834-3518 • www.tsbrass.com

This Space for Architect/Engineer Approval

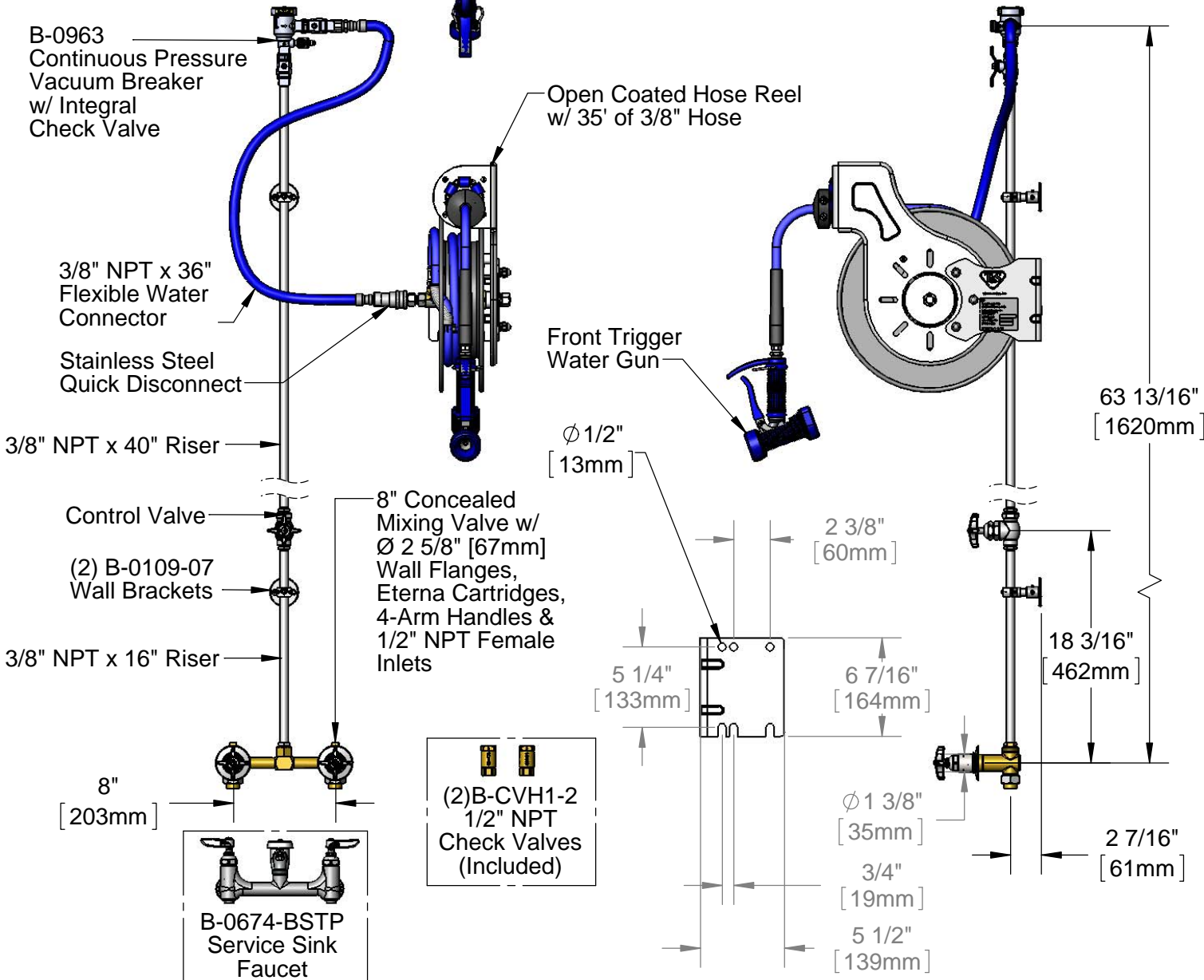
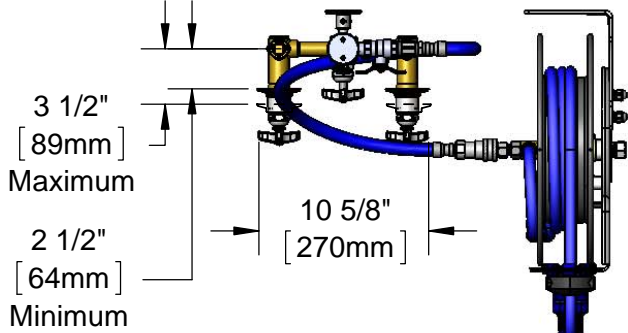
Job Name \_\_\_\_\_ Date \_\_\_\_\_

Model Specified \_\_\_\_\_ Quantity \_\_\_\_\_

Customer/Wholesaler \_\_\_\_\_

Contractor \_\_\_\_\_

Architect/Engineer \_\_\_\_\_



### Product Specifications:

Open Coated Hose Reel w/ 35' of 3/8" Hose, Blue Front Trigger Water Gun, Vacuum Breaker, 3/8" NPT Flexible Water Connector, 8" Concealed Wall Mount Mixing Faucet, Control Valve, (2) Check Valves & 8" Service Sink Faucet

### Product Compliance:

NSF 61 Exempt (Non-Potable)  
EPA Act 2005 Non-Compliant (PRSV)  
ASSE 1056 (VB)



# T&S BRASS AND BRONZE WORKS, INC.

2 Saddleback Cove / P.O. Box 1088  
Travelers Rest, SC 29690

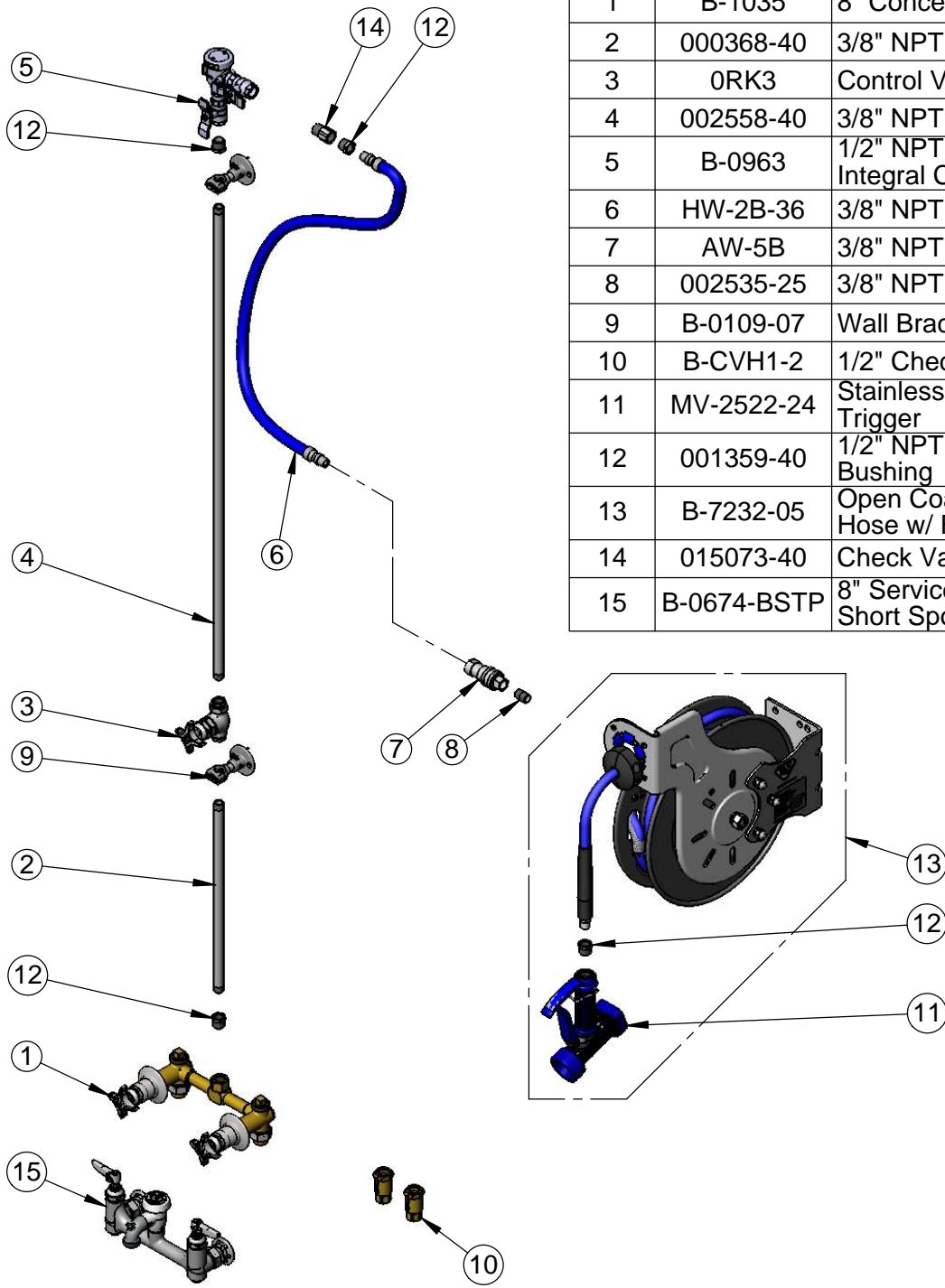
Model No.

**B-1454**

Item No.

Travelers Rest, SC: 800-476-4103 • Simi Valley, CA: 800-423-0150 • Fax: 864-834-3518 • www.tsbrass.com

ITEM NO.	SALES NO.	DESCRIPTION
1	B-1035	8" Concealed Wall Mount Mixing Valve
2	000368-40	3/8" NPT x 16" Riser
3	0RK3	Control Valve
4	002558-40	3/8" NPT x 40" Riser
5	B-0963	1/2" NPT Continuous Pressure VB w/ Integral Check Valve
6	HW-2B-36	3/8" NPT x 36" Flexible Water Hose
7	AW-5B	3/8" NPT Quick Disconnect
8	002535-25	3/8" NPT Close Nipple
9	B-0109-07	Wall Bracket
10	B-CVH1-2	1/2" Check Valve
11	MV-2522-24	Stainless Steel Water Gun, Front Trigger
12	001359-40	1/2" NPT Male x 3/8" NPT Female Hex Bushing
13	B-7232-05	Open Coated Hose Reel w/ 35' of 3/8" Hose w/ Front Trigger Water Gun
14	015073-40	Check Valve w/ 1/2" NPT Adapter
15	B-0674-BSTP	8" Service Sink w/ Vacuum Breaker & Short Spout w/ Pail Hook



**Product Specifications:**  
Open Coated Hose Reel w/ 35' of 3/8" Hose, Blue Front Trigger Water Gun, Vacuum Breaker, 3/8" NPT Flexible Water Connector, 8" Concealed Wall Mount Mixing Faucet, Control Valve, (2) Check Valves & 8" Service Sink Faucet

**Product Compliance:**  
NSF 61 Exempt (Non-Potable)  
EPA Act 2005 Non-Compliant (PRSV)  
ASSE 1056 (VB)