



Architect/Engineering Specifications:

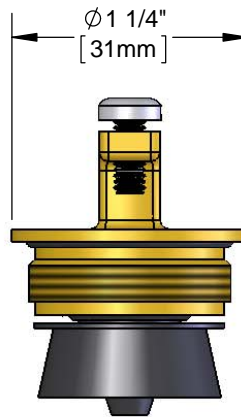
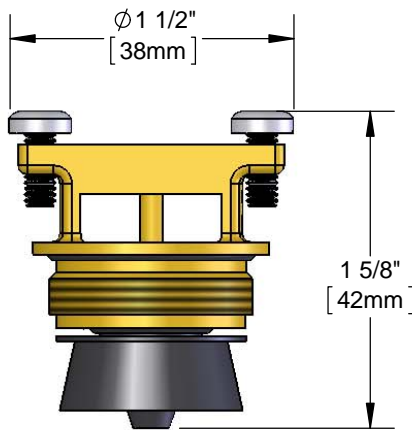
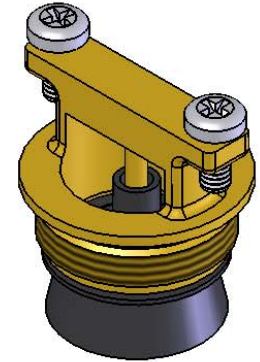
1/2" NPT Vacuum breaker repair kit with brass insert, o-ring and piston. Certified to NSF 61-Section 9 and NSF 372.

Job Name _____

Model Specified _____ Quantity _____

Variations Specified _____

Date _____



Features & Benefits:

- 1/2" NPT vacuum breaker brass insert
- O-ring
- Disc seal
- Float piston
- Cover plate screws
- Material: Brass Insert

Product Compliance:

- NSF 61 - Section 9
- NSF 372 (Low Lead Content)



Warranty: One Year (Limited)

Performance Data:

- N/A

