



# Medical Bedpan Washers

## B-0685

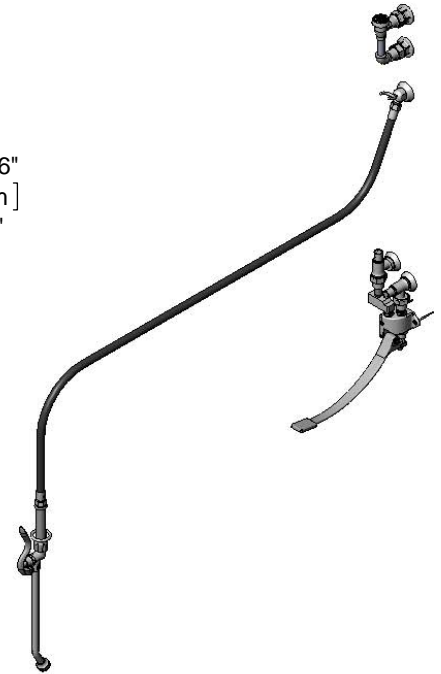
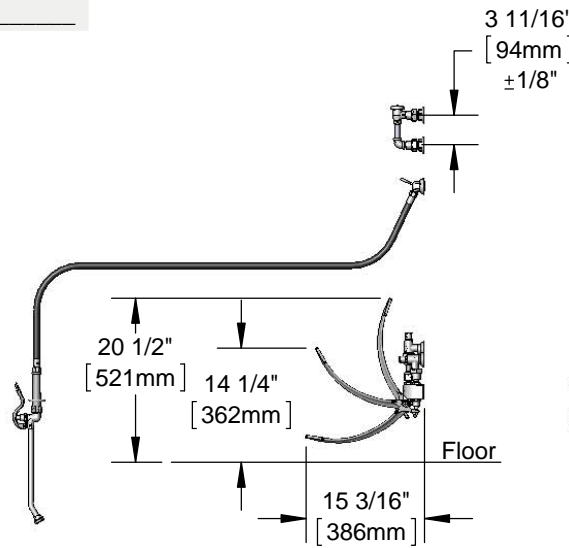
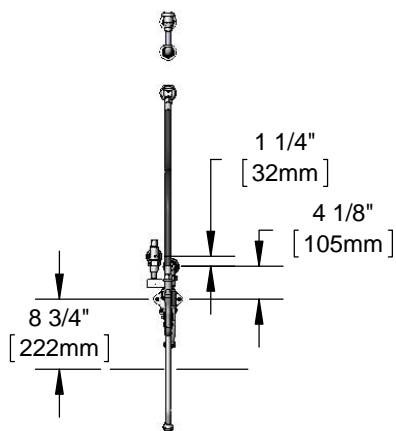
TAG:

## Bedpan Washer

### Architect/Engineering Specifications:

Wall mount single pedal valve with angled loose key stops, angled volume controls, 3/8" NPT atmospheric vacuum breaker, 3/8" NPT wall hook outlet, spray valve with extended spray nozzle and 68" PVC hose and 1/2" NPT female inlet. Certified to ASME A112.18.1/CSA B125.1 and ASSE 1001

Job Name \_\_\_\_\_  
 Model Specified \_\_\_\_\_ Quantity \_\_\_\_\_  
 Variations Specified \_\_\_\_\_  
 Date \_\_\_\_\_



### Features & Benefits:

- Wall mount single pedal valve with polished chrome plated brass body
- Pedal valve with 1/2" NPT female angled loose key stop
- 3/8" NPT female angled loose key stop
- Volume control valve with 1/2" NPT female outlet on pedal valve
- Volume control with 3/8" NPT female outlet
- Wall hook with 3/8" NPT flange inlet
- 68" PVC hose with spray valve and extended spray nozzle
- Material: Polished chrome plated brass body and vacuum breaker

### Product Compliance:

- ASME A112.18.1 / CSA B125.1
- NSF 61 Exempt (Non-Potable)
- ASSE 1001 (VB)

### Warranty: One Year (Limited)

### Performance Data:

- Pressure: 20 - 125 psi
- Temperature: 40°F - 140°F
- Flow Rate: 2.62 GPM @ 60 psi



T&S BRASS AND BRONZE WORKS, INC.



• 2 Saddleback Cove • Travelers Rest, SC 29690  
 Ph 800-476-4103 • Fax 864-834-3518  
 • Simi Valley, CA • Ph 800-423-0150 • www.tsbrass.com

Date: 03/17/15