



T&S BRASS AND BRONZE WORKS, INC.
 2 SADDLEBACK COVE / P.O. BOX 1088 / TRAVELERS REST, SC 29690
 PHONE 800-476-4103 FAX 864-834-3518



Model No.

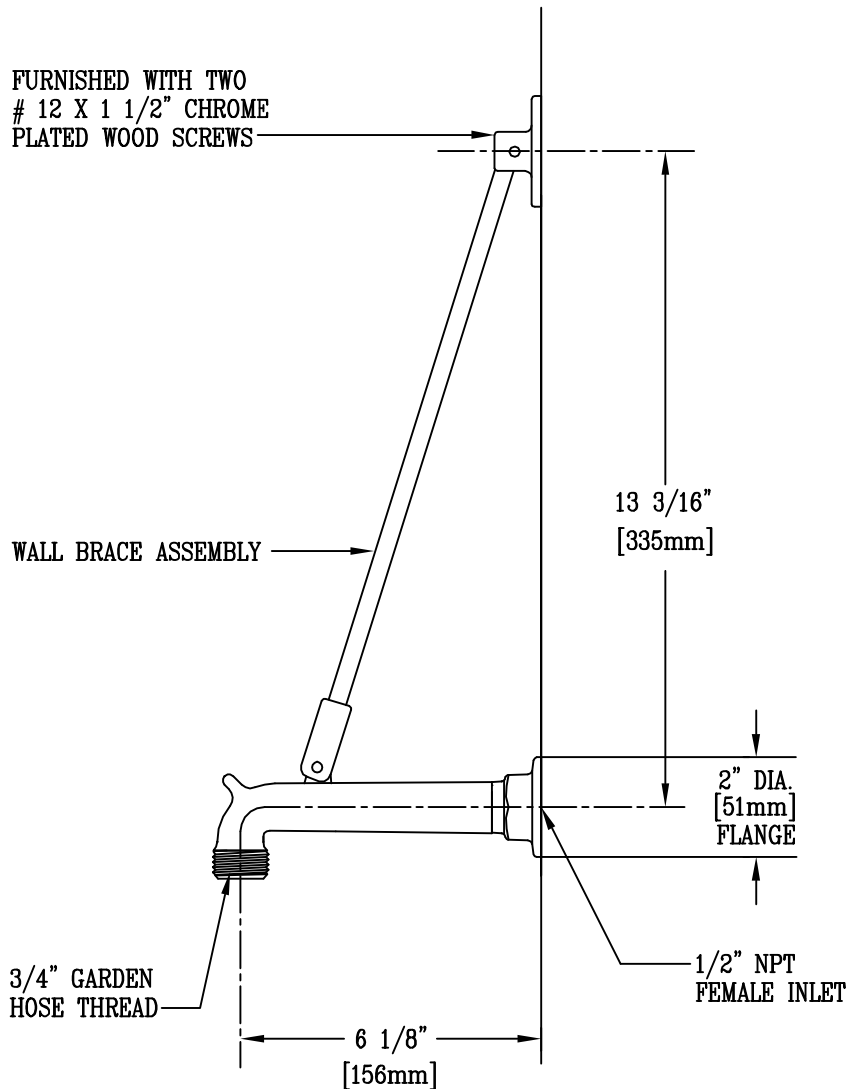
B-0671-POL

Item No.:

Job Name:

Architect/Engineer Approval:

Notes:



Product Description:

SERVICE SINK OUTLET W/ POLISHED CHROME FINISH, TOP BRACE, PAIL HOOK, 3/4" GARDEN HOSE OUTLET, & 1/2" NPT FEMALE INLET

Drawn:

WJS

Checked

MW

Scale:

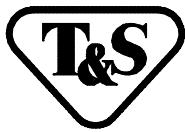
3" = 1'

Approved

CA

Date:

11/22/95



T&S BRASS AND BRONZE WORKS, INC.

2 SADDLEBACK COVE / P.O. BOX 1088 / TRAVELERS REST, SC 29690

PHONE 800-476-4103

FAX 864-834-3518



Model No.

B-0671-RGH

Item No.:

Job Name:

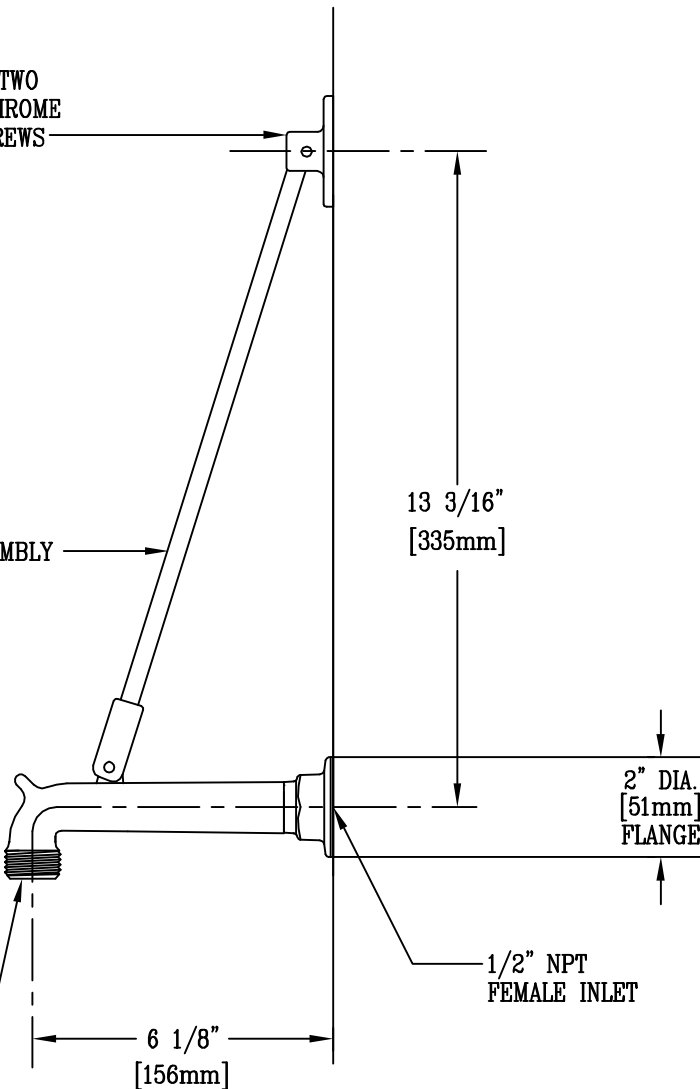
Architect/Engineer Approval:

Notes:

FURNISHED WITH TWO
12 X 1 1/2" CHROME
PLATED WOOD SCREWS

WALL BRACE ASSEMBLY

GARDEN HOSE
MALE THREAD



Product Description:

SERVICE SINK OUTLET W/ ROUGH CHROME FINISH,
WALL BRACE, PAIL HOOK, 1/2" IPS FEMALE
INLET, & 3/4" GARDEN HOSE OUTLET

Drawn:

WJS

Approved

CA

Checked

MW

Scale:

3" = 1'

Date:

11/22/95