

# T&S BRASS AND BRONZE WORKS, INC.

2 Saddleback Cove / P.O. Box 1088  
Travelers Rest, SC 29690

Model No.

**B-0667-POL**

Item No.

Travelers Rest, SC: 800-476-4103 • Simi Valley, CA: 800-423-0150 • Fax: 864-834-3518 • www.tsbrass.com



**ADA Compliant**

This Space for Architect/Engineer Approval

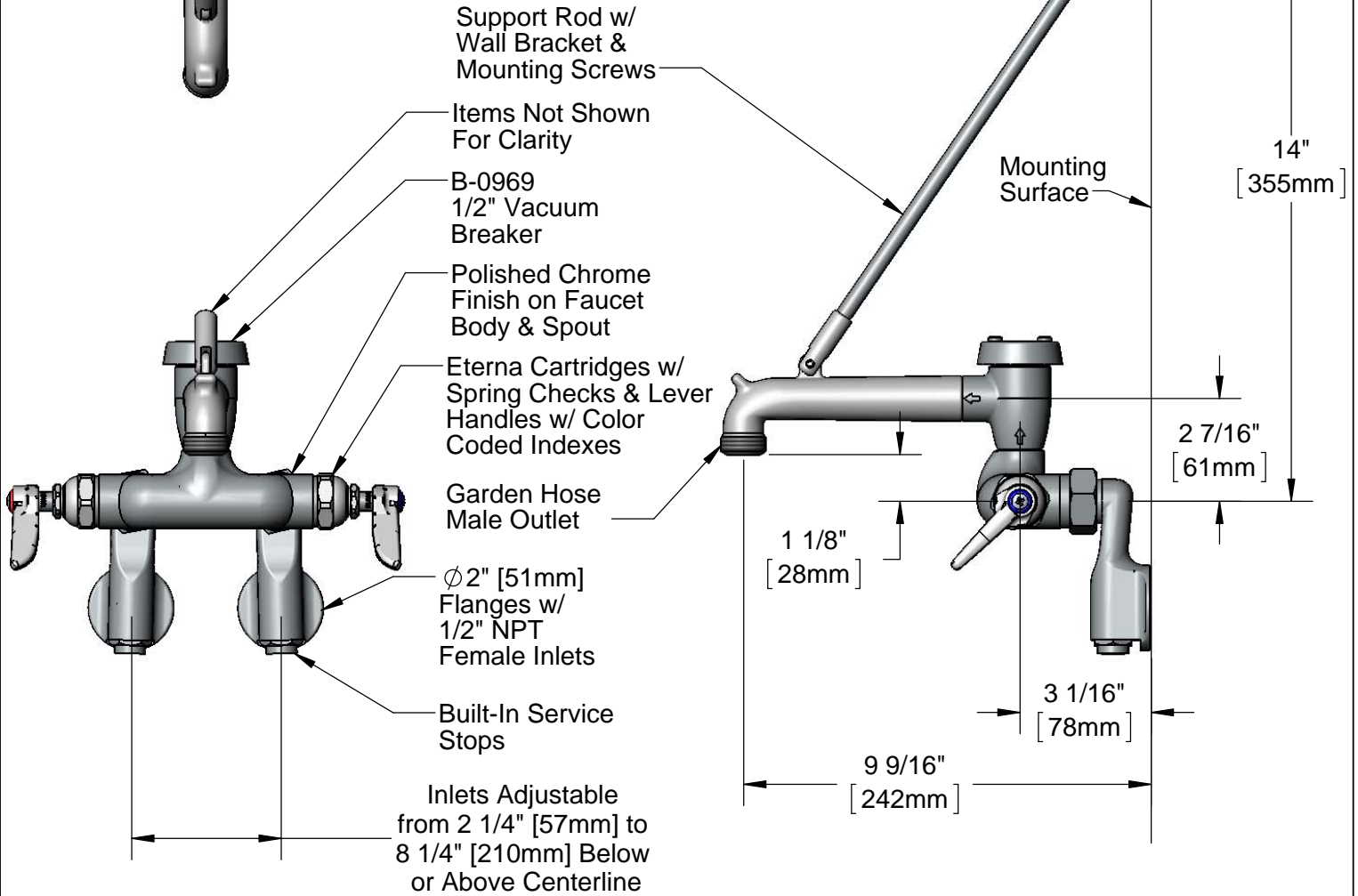
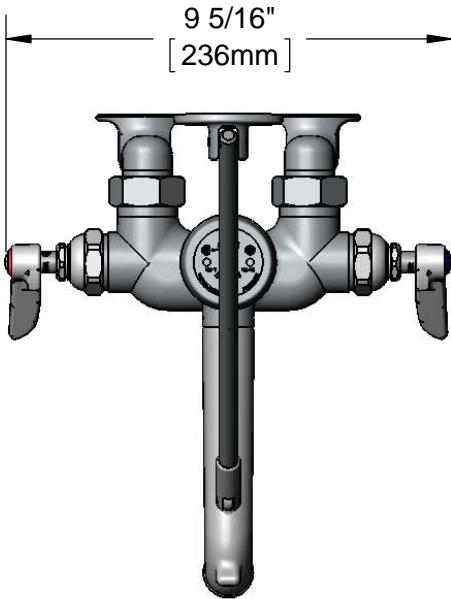
Job Name \_\_\_\_\_ Date \_\_\_\_\_

Model Specified \_\_\_\_\_ Quantity \_\_\_\_\_

Customer/Wholesaler \_\_\_\_\_

Contractor \_\_\_\_\_

Architect/Engineer \_\_\_\_\_



**Product Specifications:**

8" Wall Mount Service Sink Faucet, Eterna Cartridges w/ Spring Checks, Lever Handles, Upper Support Rod, Garden Hose Male Outlet, Polish Chrome Finish, 1/2" NPT Vacuum Breaker, Built-In Stops & 1/2" NPT Female Inlets

**Product Compliance:**

ASME A112.18.1 / CSA B125.1  
NSF 61 Exempt (Non-Potable)  
ANSI A117.1 (ADA)  
ASSE 1001 (VB)



# T&S BRASS AND BRONZE WORKS, INC.

2 Saddleback Cove / P.O. Box 1088  
Travelers Rest, SC 29690

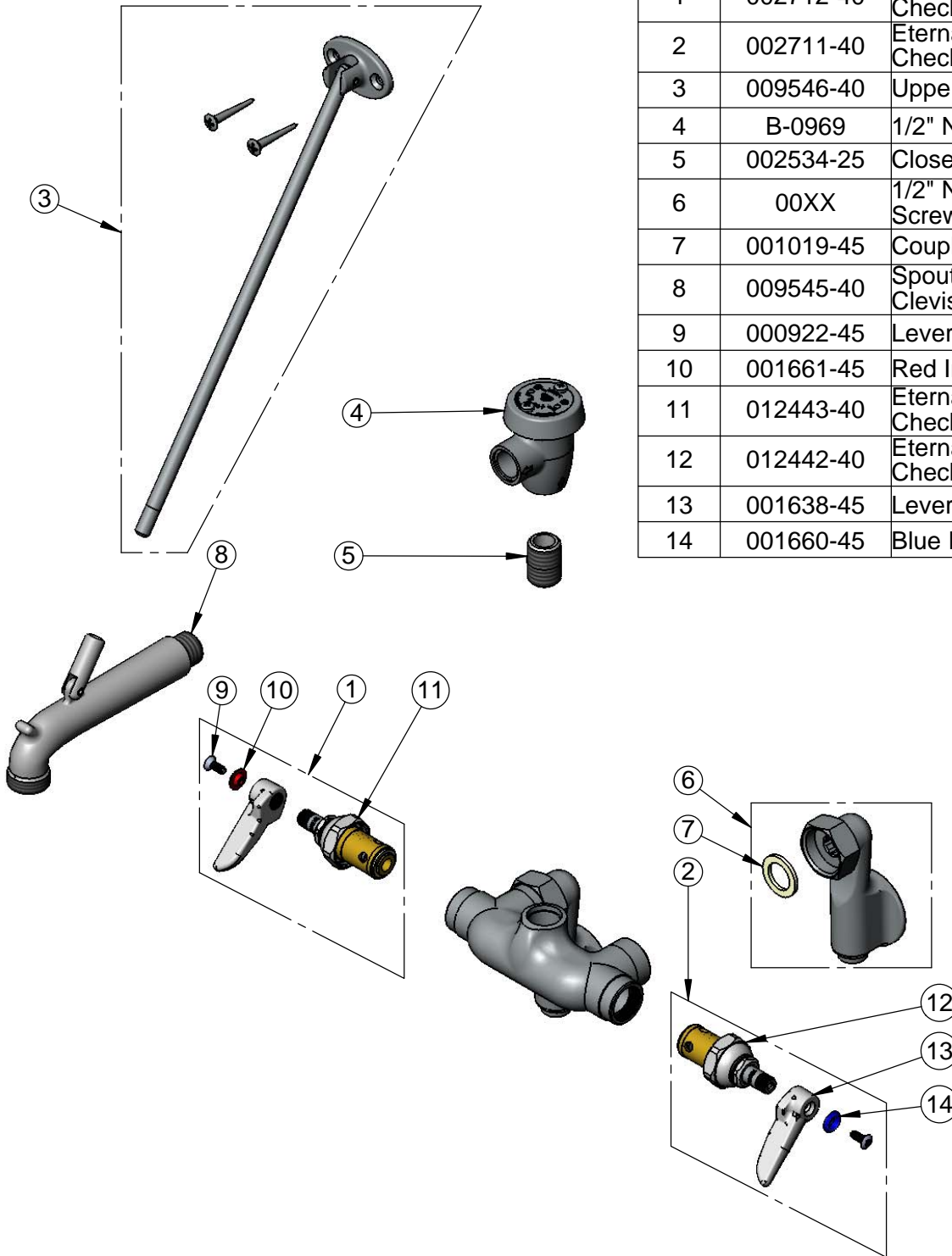
Model No.

**B-0667-POL**

Item No.

Travelers Rest, SC: 800-476-4103 • Simi Valley, CA: 800-423-0150 • Fax: 864-834-3518 • www.tsbrass.com

| ITEM | SALES NO. | DESCRIPTION  |
|------|-----------|--|
| 1    | 002712-40 | Eterna Cartridge, RTC w/ Spring Check, Handle, Index & Screw |
| 2    | 002711-40 | Eterna Cartridge, LTC w/ Spring Check, Handle, Index & Screw |
| 3    | 009546-40 | Upper Support Rod  |
| 4    | B-0969    | 1/2" NPT Vacuum Breaker                                      |
| 5    | 002534-25 | Close Nipple, 1/2" NPT                                       |
| 6    | 00XX      | 1/2" NPT Fem. Adj. Arm Inlet w/ Screwdriver Stop             |
| 7    | 001019-45 | Coupling Nut Washer  |
| 8    | 009545-40 | Spout w/ Male GH Outlet & Upper Clevis - Polish Chrome       |
| 9    | 000922-45 | Lever Handle Screw   |
| 10   | 001661-45 | Red Index-HW   |
| 11   | 012443-40 | Eterna Cartridge, RTC w/ Spring Check                        |
| 12   | 012442-40 | Eterna Cartridge, LTC w/ Spring Check                        |
| 13   | 001638-45 | Lever Handle   |
| 14   | 001660-45 | Blue Index-CW  |



**Product Specifications:**

8" Wall Mount Service Sink Faucet, Eterna Cartridges w/ Spring Checks, Lever Handles, Upper Support Rod, Garden Hose Male Outlet, Polish Chrome Finish, 1/2" NPT Vacuum Breaker, Built-In Stops & 1/2" NPT Female Inlets

**Product Compliance:**

ASME A112.18.1 / CSA B125.1  
NSF 61 Exempt (Non-Potable)  
ANSI A117.1 (ADA)  
ASSE 1001 (VB)



# T&S BRASS AND BRONZE WORKS, INC.

2 Saddleback Cove / P.O. Box 1088  
Travelers Rest, SC 29690



REG. #A2601  
ISO #9001

Model No.  
**B-0667-WW-POL**

Item No.

Travelers Rest, SC: 800-476-4103 Simi Valley, CA: 800-423-0150 Fax: 864-834-3518 www.tsbrass.com

This Space for Architect/Engineer Approval

Job Name \_\_\_\_\_ Date \_\_\_\_\_

Model Specified \_\_\_\_\_ Quantity \_\_\_\_\_

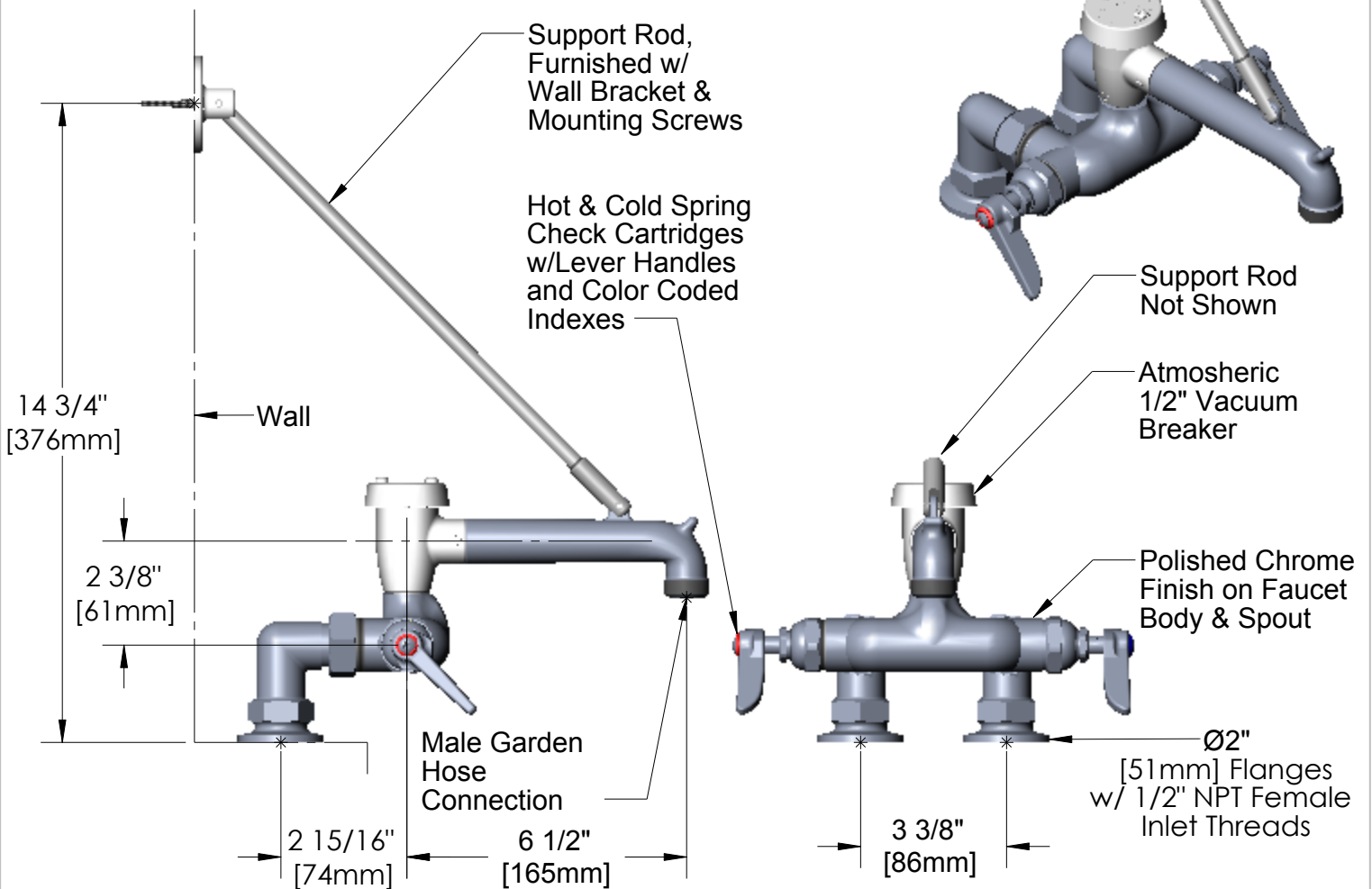
Customer/Wholesaler \_\_\_\_\_

Contractor \_\_\_\_\_

Architect/Engineer \_\_\_\_\_



- Variations or Applicable Options:
- WH6 6" Wrist Action Handles
  - WH4 4" Wrist Action Handles
  - 175F 4-Arm Kitchen Handles



Product Specifications:

**Service Sink, Polished Chrome w/ Spring Check Cartridges, Lever Handles & "00WW" 90° Mounting Flanges**

|               |                |                   |
|---------------|----------------|-------------------|
| Drawn<br>DHL  | Checked<br>WJS | Approved<br>JHB   |
| Scale:<br>1:4 |                | Date:<br>12/01/06 |



**T&S BRASS AND BRONZE WORKS, INC.**

2 Saddleback Cove / P.O. Box 1088  
Travelers Rest, SC 29690



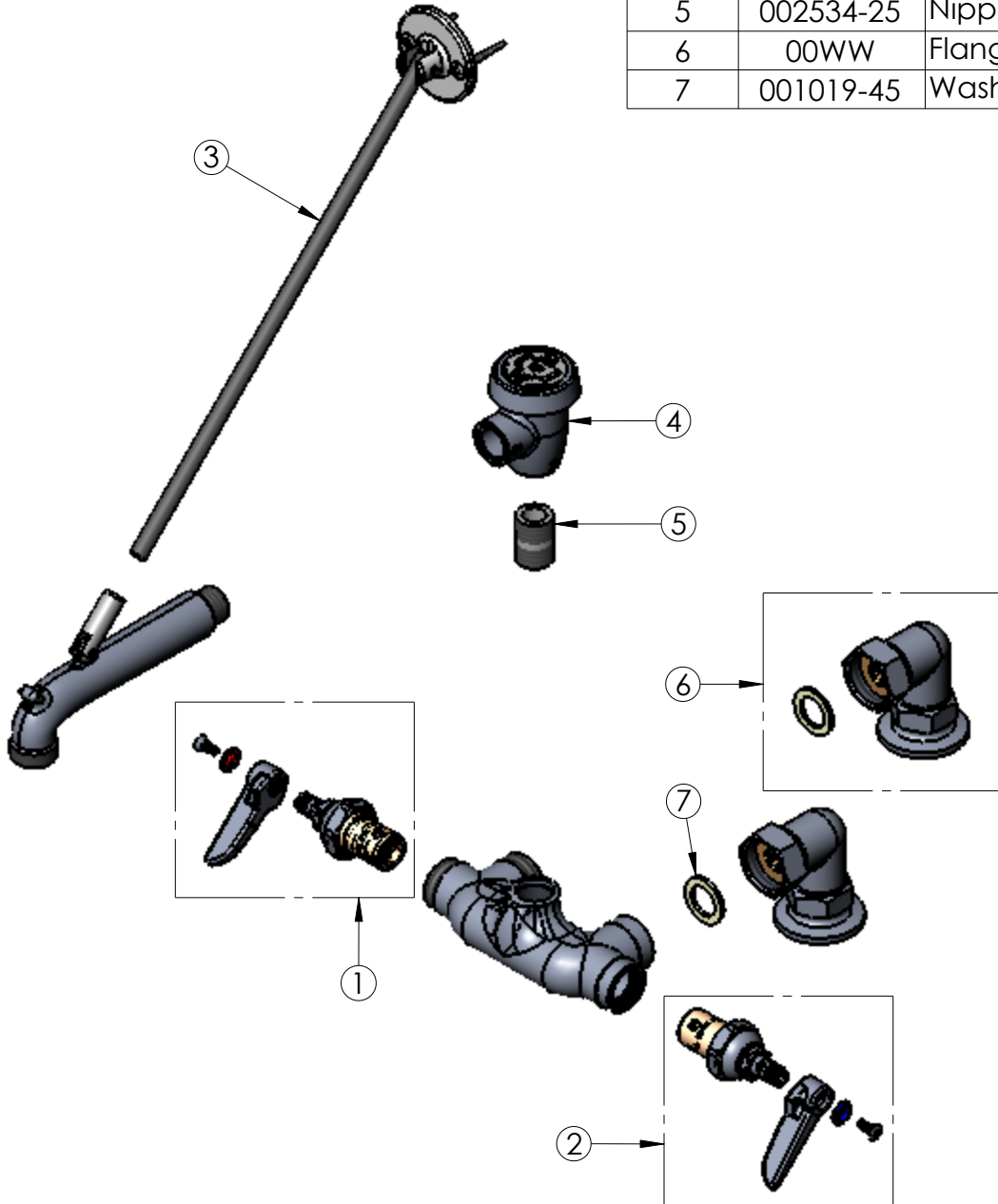
REG. #A2601  
ISO #9001

Model No.  
**B-0667-WW-POL**

Item No.

Travelers Rest, SC: 800-476-4103    Simi Valley, CA: 800-423-0150    Fax: 864-834-3518    www.tsbrass.com

| ITEM NO. | SALES NO. | DESCRIPTION                     |
|----------|-----------|---------------------------------|
| 1        | 002712-40 | Spindle Asm, Hot Eterna         |
| 2        | 002711-40 | Spindle Asm, Cold Eterna        |
| 3        | 009546-40 | Rod Asm, Upper Support          |
| 4        | B-0969    | Vacuum Breaker, 1/2"            |
| 5        | 002534-25 | Nipple, Rough Chrome 1/2" Close |
| 6        | 00WW      | Flange, 1/2" NPT 90° Female     |
| 7        | 001019-45 | Washer, Coupling Nut            |



Product Specifications:

Service Sink, Polished Chrome w/ Spring Check Cartridges, Lever Handles & "00WW" 90° Mounting Flanges

|                      |                       |                          |
|----------------------|-----------------------|--------------------------|
| Drawn<br><b>DHL</b>  | Checked<br><b>WJS</b> | Approved<br><b>JHB</b>   |
| Scale:<br><b>1:4</b> |                       | Date:<br><b>12/01/06</b> |



# T&S BRASS AND BRONZE WORKS, INC.

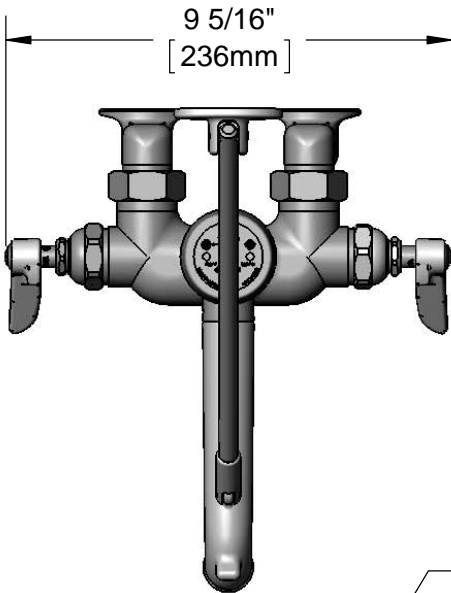
2 Saddleback Cove / P.O. Box 1088  
Travelers Rest, SC 29690

Model No.

**B-0667-RGH**

Item No.

Travelers Rest, SC: 800-476-4103 • Simi Valley, CA: 800-423-0150 • Fax: 864-834-3518 • www.tsbrass.com



**ADA Compliant**

This Space for Architect/Engineer Approval

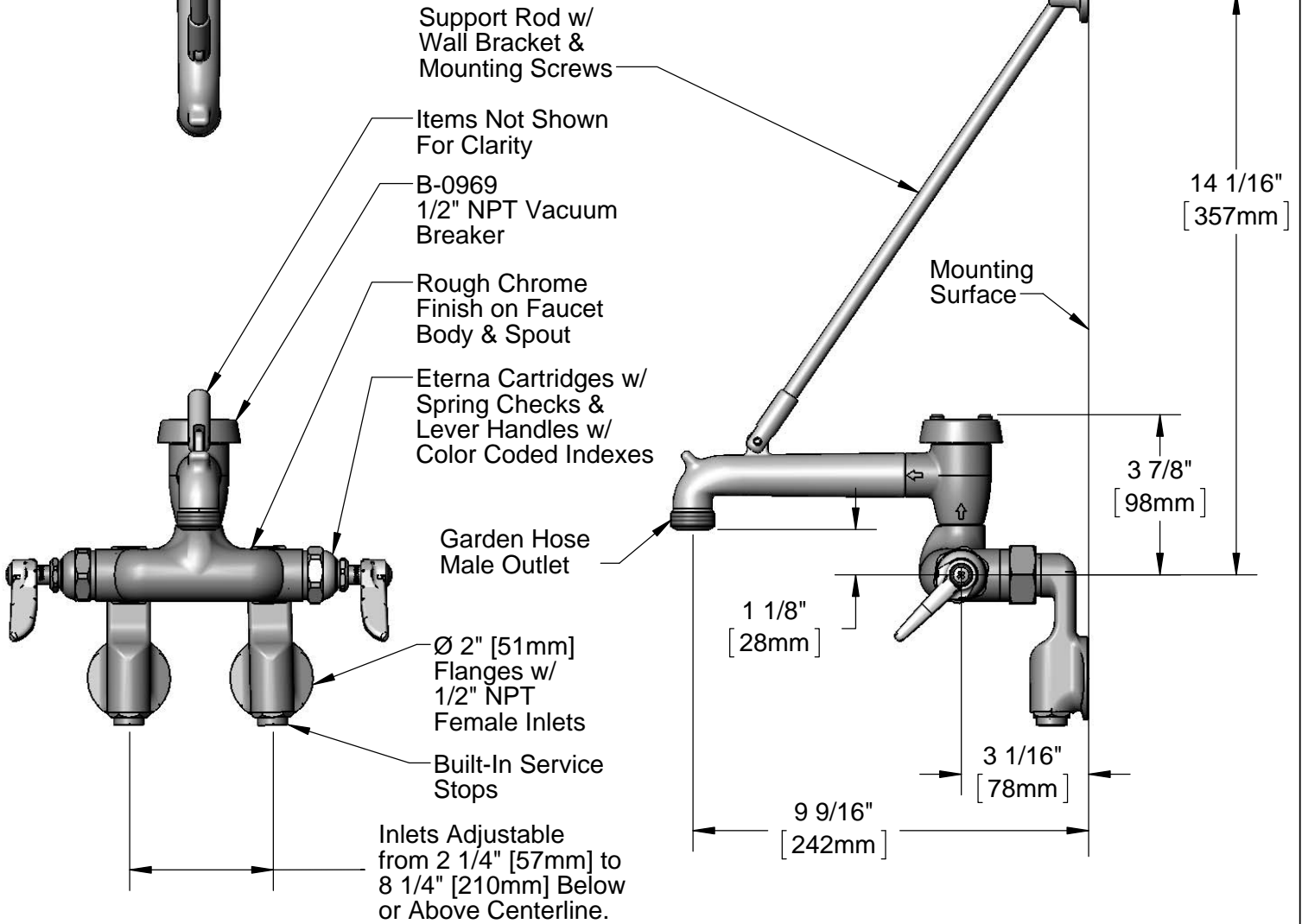
Job Name \_\_\_\_\_ Date \_\_\_\_\_

Model Specified \_\_\_\_\_ Quantity \_\_\_\_\_

Customer/Wholesaler \_\_\_\_\_

Contractor \_\_\_\_\_

Architect/Engineer \_\_\_\_\_



**Product Specifications:**

Wall Mount Service Sink, Eterna Cartridges w/ Spring Checks, Lever Handles, Upper Support Rod, Garden Hose Male Outlet, Rough Chrome Finish, 1/2" NPT Vacuum Breaker & 1/2" Female Inlet Adjustable Wall Flanges w/ Integral Service Stops

**Product Compliance:**

ASME A112.18.1 / CSA B125.1  
NSF 61 Exempt (Non-Potable)  
ANSI A117.1 (ADA)  
ASSE 1001 (VB)



# T&S BRASS AND BRONZE WORKS, INC.

2 Saddleback Cove / P.O. Box 1088  
Travelers Rest, SC 29690

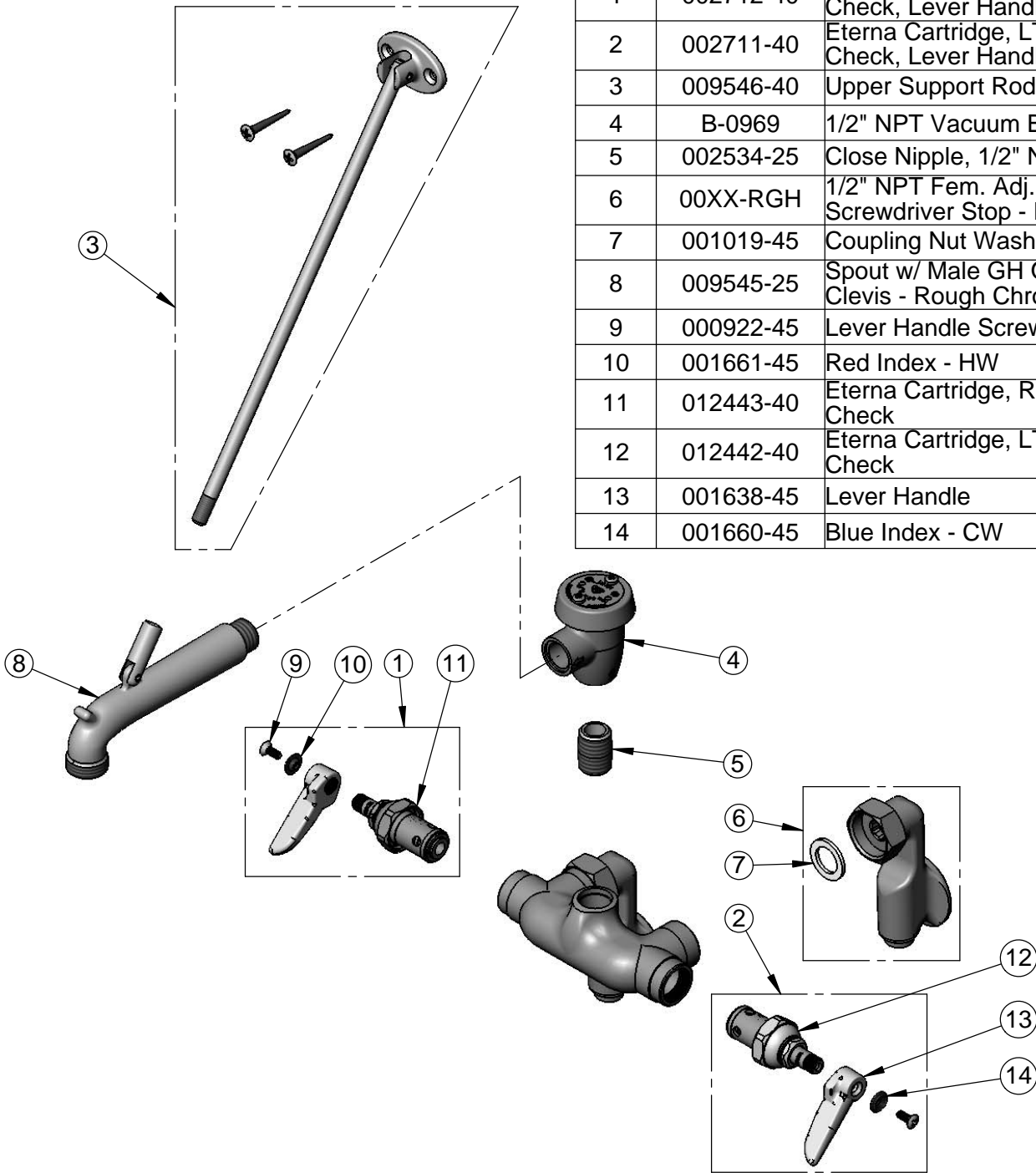
Model No.

**B-0667-RGH**

Item No.

Travelers Rest, SC: 800-476-4103 • Simi Valley, CA: 800-423-0150 • Fax: 864-834-3518 • www.tsbrass.com

| ITEM | SALES NO. | DESCRIPTION  |
|------|-----------|--|
| 1    | 002712-40 | Eterna Cartridge, RTC w/ Spring Check, Lever Handle, Index & Screw |
| 2    | 002711-40 | Eterna Cartridge, LTC w/ Spring Check, Lever Handle, Index & Screw |
| 3    | 009546-40 | Upper Support Rod Asm.   |
| 4    | B-0969    | 1/2" NPT Vacuum Breaker  |
| 5    | 002534-25 | Close Nipple, 1/2" NPT   |
| 6    | 00XX-RGH  | 1/2" NPT Fem. Adj. Arm Inlet w/ Screwdriver Stop - Rough Chrome    |
| 7    | 001019-45 | Coupling Nut Washer  |
| 8    | 009545-25 | Spout w/ Male GH Outlet & Upper Clevis - Rough Chrome              |
| 9    | 000922-45 | Lever Handle Screw   |
| 10   | 001661-45 | Red Index - HW   |
| 11   | 012443-40 | Eterna Cartridge, RTC w/ Spring Check                              |
| 12   | 012442-40 | Eterna Cartridge, LTC w/ Spring Check                              |
| 13   | 001638-45 | Lever Handle   |
| 14   | 001660-45 | Blue Index - CW  |



**Product Specifications:**

Wall Mount Service Sink, Eterna Cartridges w/ Spring Checks, Lever Handles, Upper Support Rod, Garden Hose Male Outlet, Rough Chrome Finish, 1/2" NPT Vacuum Breaker & 1/2" Female Inlet Adjustable Wall Flanges w/ Integral Service Stops

**Product Compliance:**

ASME A112.18.1 / CSA B125.1  
NSF 61 Exempt (Non-Potable)  
ANSI A117.1 (ADA)  
ASSE 1001 (VB)



# T&S BRASS AND BRONZE WORKS, INC.

2 Saddleback Cove / P.O. Box 1088  
Travelers Rest, SC 29690



REG. #A2601  
ISO #9001

Model No.

**B-0668-POL**

Item No.

Travelers Rest, SC: 800-476-4103 Simi Valley, CA: 800-423-0150 Fax: 864-834-3518 www.tsbrass.com

This Space for Architect/Engineer Approval

Job Name \_\_\_\_\_ Date \_\_\_\_\_

Model Specified \_\_\_\_\_ Quantity \_\_\_\_\_

Customer/Wholesaler \_\_\_\_\_

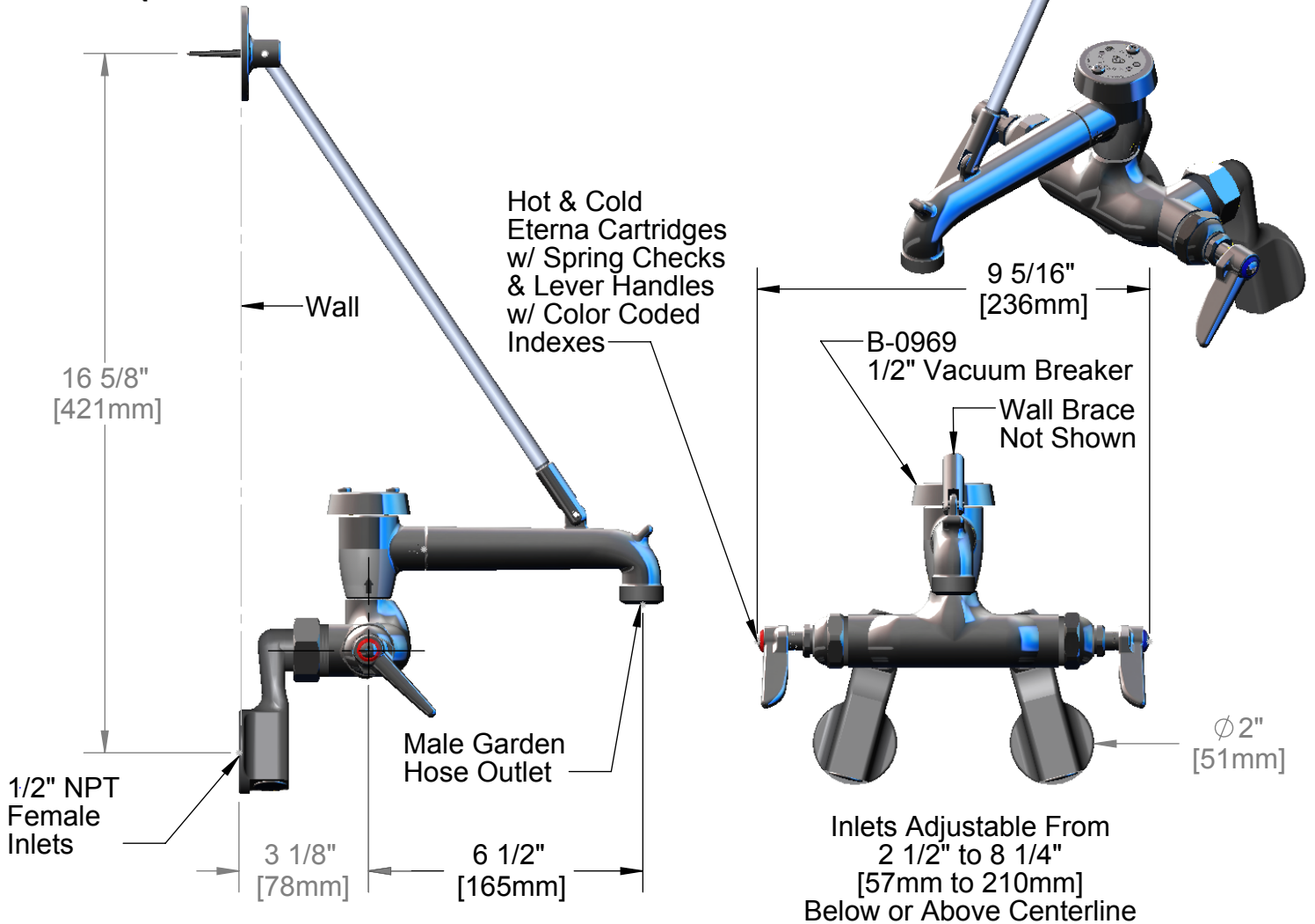
Contractor \_\_\_\_\_

Architect/Engineer \_\_\_\_\_

Support Rod Asm. Furnished w/  
Wall Bracket and Mounting Screws



**ADA Compliant**



**Product Specifications:**

Service Sink Faucet, Polish Chrome Finish, Vacuum Breaker, Lever Handles, Wall Brace, 1/2" NPT Female Adjustable Inlets & Male Garden Hose Outlet

Drawn  
DHL

Checked  
GEF

Approved  
JHB

Scale:

1:4

Date:

05/16/08





**T&S BRASS AND BRONZE WORKS, INC.**

2 Saddleback Cove / P.O. Box 1088  
Travelers Rest, SC 29690



REG. #A2601  
ISO #9001

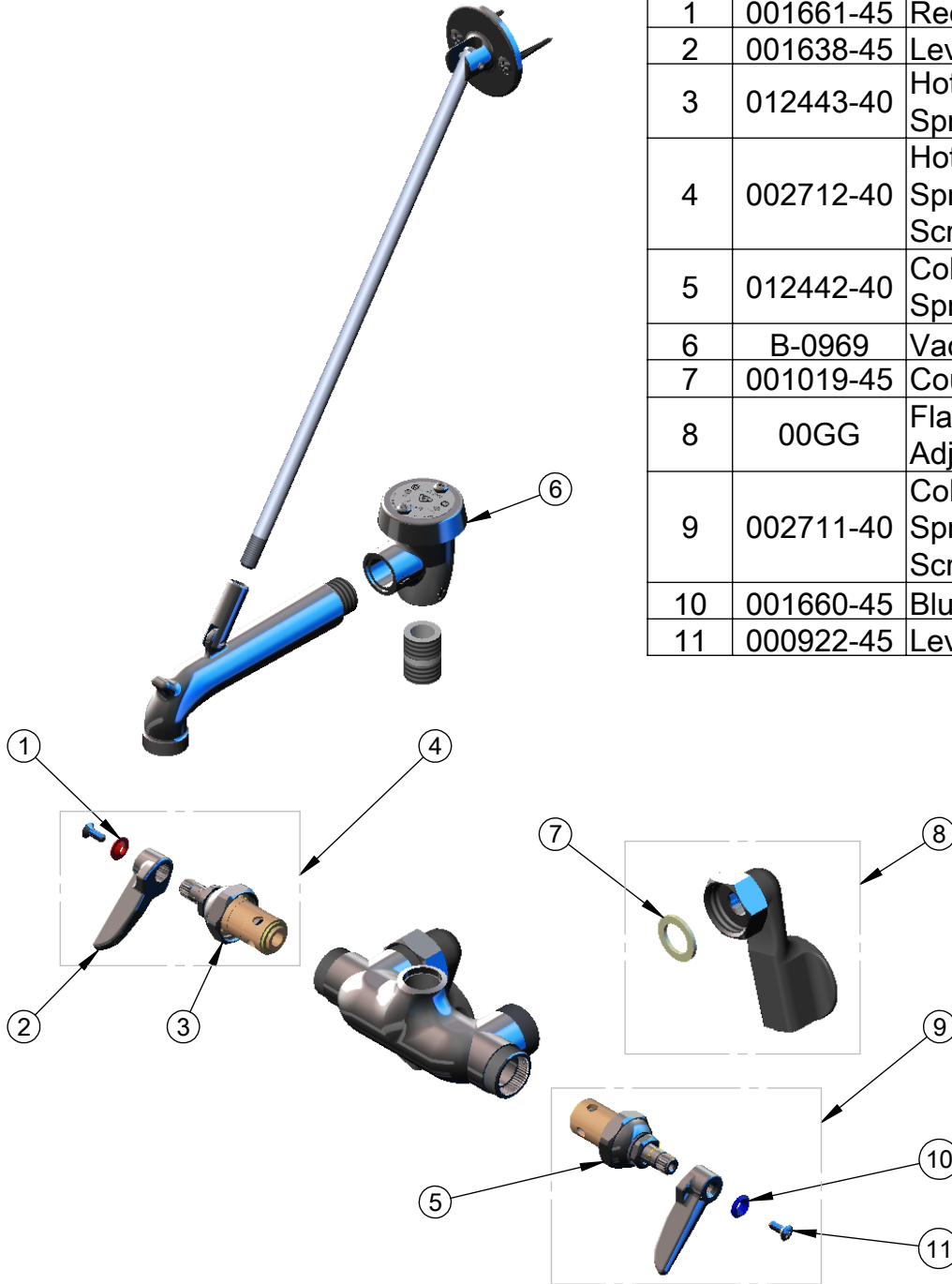
Model No.

**B-0668-POL**

Item No.

Travelers Rest, SC: 800-476-4103 Simi Valley, CA: 800-423-0150 Fax: 864-834-3518 www.tsbrass.com

| ITEM NO. | SALES NO. | DESCRIPTION   |
|----------|-----------|---|
| 1        | 001661-45 | Red Index-HW  |
| 2        | 001638-45 | Lever Handle  |
| 3        | 012443-40 | Hot Eterna Spindle Assembly w/<br>Spring Check                            |
| 4        | 002712-40 | Hot Eterna Spindle Assembly w/<br>Spring Check, Handle, Index &<br>Screw  |
| 5        | 012442-40 | Cold Eterna Spindle Assembly w/<br>Spring Check                           |
| 6        | B-0969    | Vacuum Breaker, 1/2"  |
| 7        | 001019-45 | Coupling Nut Washer   |
| 8        | 00GG      | Flange Assembly, 1/2" NPT,<br>Adjustable                                  |
| 9        | 002711-40 | Cold Eterna Spindle Assembly w/<br>Spring Check, Handle, Index &<br>Screw |
| 10       | 001660-45 | Blue Index-CW   |
| 11       | 000922-45 | Lever Handle Screw  |



Product Specifications:

Service Sink Faucet, Polish Chrome Finish, Vacuum Breaker, Lever Handles, Wall Brace, 1/2" NPT Female Adjustable Inlets & Male Garden Hose Outlet

|                      |                          |                        |
|----------------------|--------------------------|------------------------|
| Drawn<br><b>DHL</b>  | Checked<br><b>GEF</b>    | Approved<br><b>JHB</b> |
| Scale:<br><b>1:4</b> | Date:<br><b>05/16/08</b> |                        |





# T&S BRASS AND BRONZE WORKS, INC.

2 Saddleback Cove / P.O. Box 1088  
Travelers Rest, SC 29690



REG. #A2601  
ISO #9001

Model No.

**B-0668-RGH**

Item No.

Travelers Rest, SC: 800-476-4103 Simi Valley, CA: 800-423-0150 Fax: 864-834-3518 www.tsbrass.com

This Space for Architect/Engineer Approval

Job Name \_\_\_\_\_ Date \_\_\_\_\_

Model Specified \_\_\_\_\_ Quantity \_\_\_\_\_

Customer/Wholesaler \_\_\_\_\_

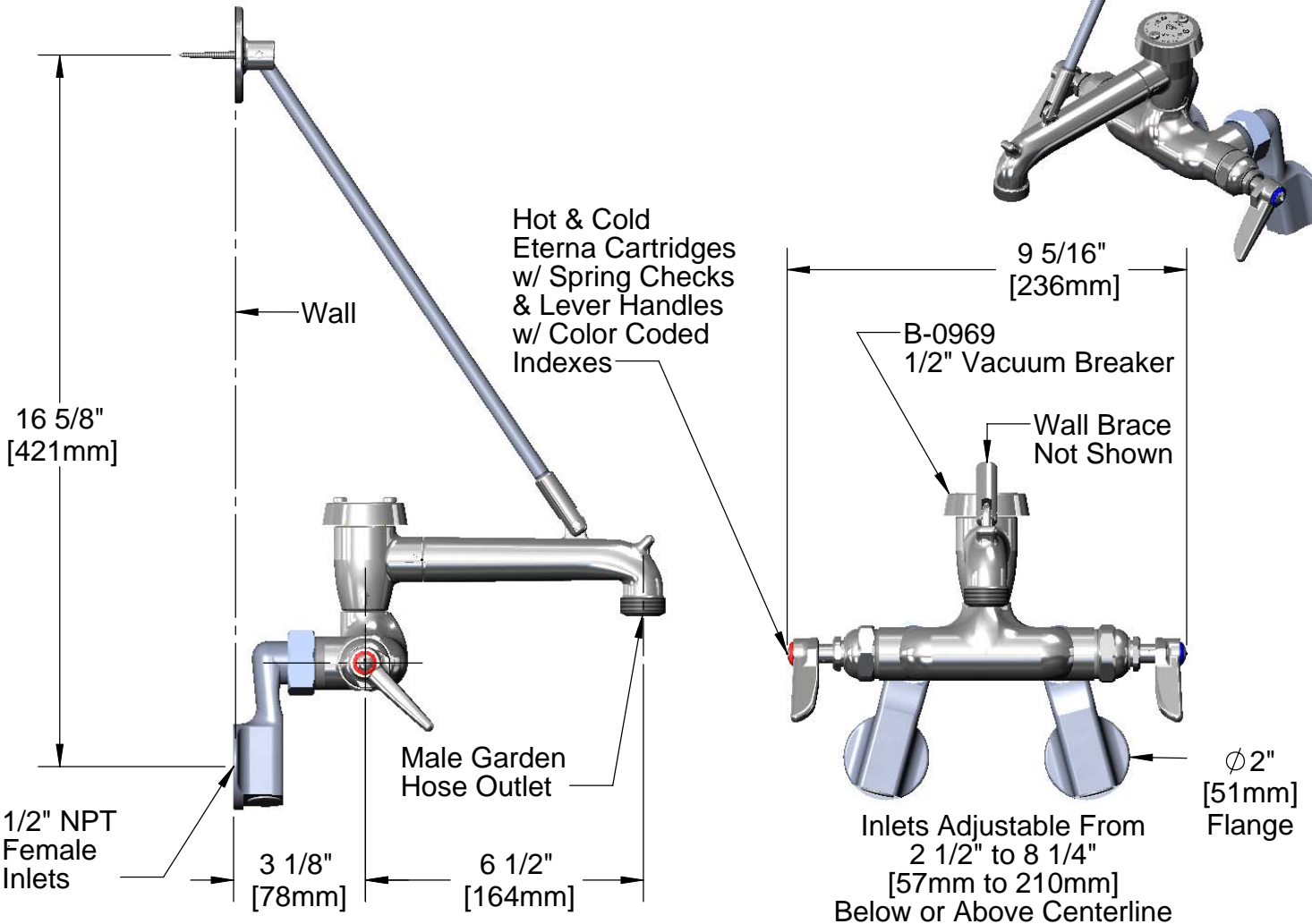
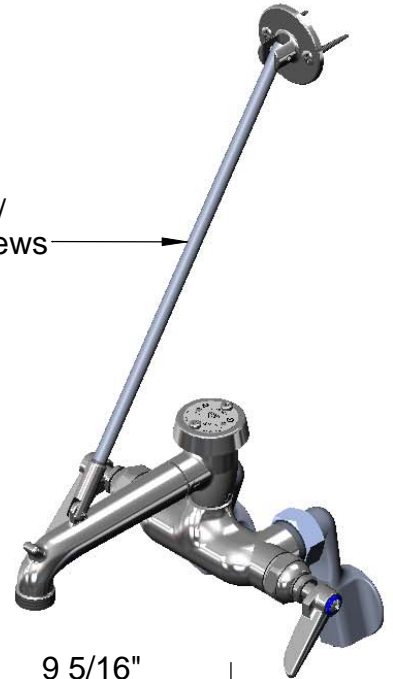
Contractor \_\_\_\_\_

Architect/Engineer \_\_\_\_\_



**ADA Compliant**

Support Rod Asm. Furnished w/  
Wall Bracket and Mounting Screws



Product Specifications:

Service Sink Faucet, Rough Chrome Finish, Vacuum Breaker, Lever Handles, Wall Brace, 1/2" NPT Female Adjustable Inlets & Male Garden Hose Outlet

Drawn  
**DHL**

Checked  
**ARH**

Approved  
**JHB**

Scale:

**1:4**

Date:

**06/03/09**



**T&S BRASS AND BRONZE WORKS, INC.**

2 Saddleback Cove / P.O. Box 1088  
Travelers Rest, SC 29690



REG. #A2601  
ISO #9001

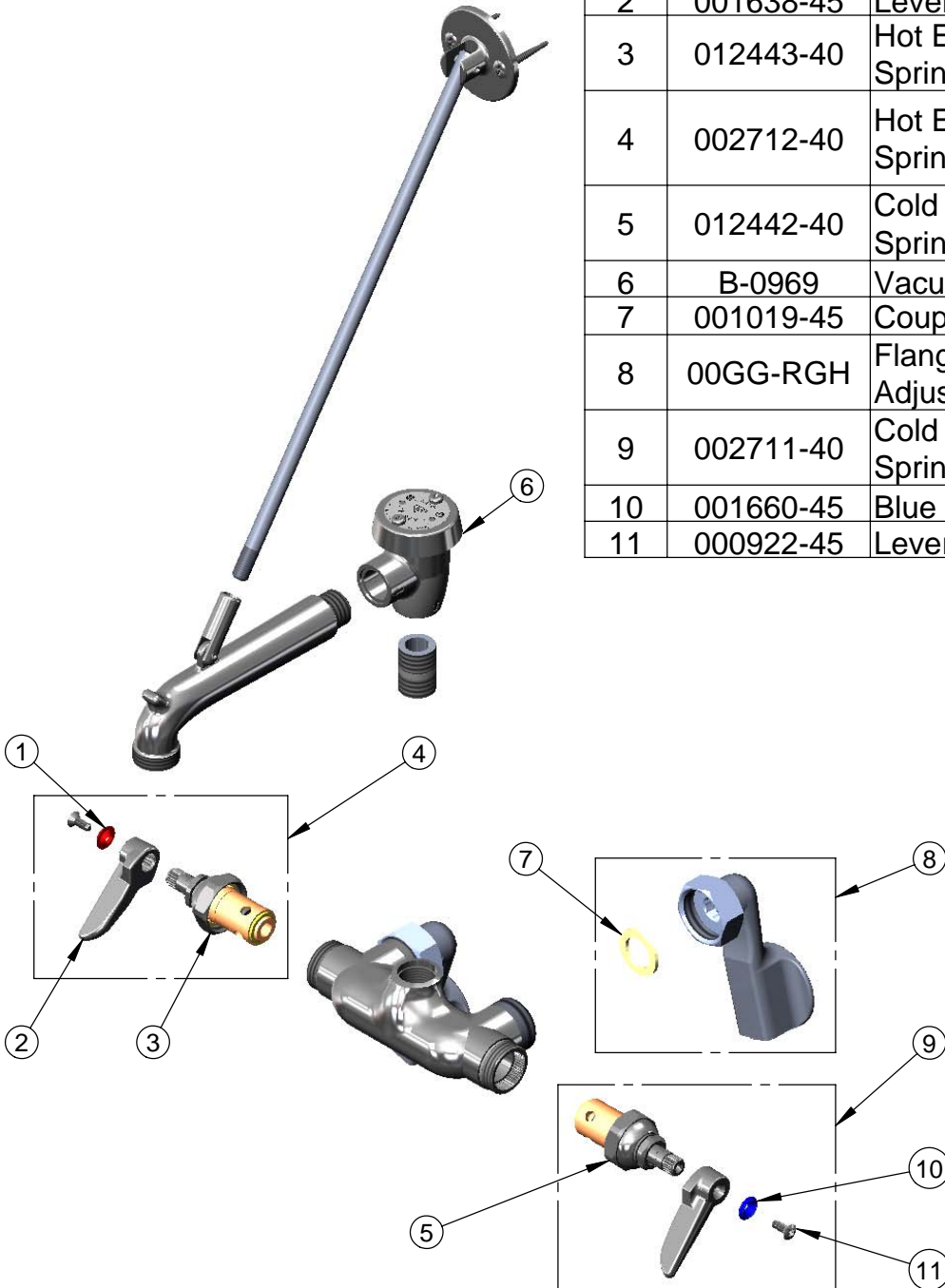
Model No.

**B-0668-RGH**

Item No.

Travelers Rest, SC: 800-476-4103 Simi Valley, CA: 800-423-0150 Fax: 864-834-3518 www.tsbrass.com

| ITEM NO. | SALES NO. | DESCRIPTION   |
|----------|-----------|---|
| 1        | 001661-45 | Red Index-HW  |
| 2        | 001638-45 | Lever Handle  |
| 3        | 012443-40 | Hot Eterna Spindle Assembly w/ Spring Check                         |
| 4        | 002712-40 | Hot Eterna Spindle Assembly w/ Spring Check, Handle, Index & Screw  |
| 5        | 012442-40 | Cold Eterna Spindle Assembly w/ Spring Check                        |
| 6        | B-0969    | Vacuum Breaker, 1/2"  |
| 7        | 001019-45 | Coupling Nut Washer   |
| 8        | 00GG-RGH  | Flange Assembly, 1/2" NPT, Adjustable                               |
| 9        | 002711-40 | Cold Eterna Spindle Assembly w/ Spring Check, Handle, Index & Screw |
| 10       | 001660-45 | Blue Index-CW   |
| 11       | 000922-45 | Lever Handle Screw  |



Product Specifications:

Service Sink Faucet, Rough Chrome Finish, Vacuum Breaker, Lever Handles, Wall Brace, 1/2" NPT Female Adjustable Inlets & Male Garden Hose Outlet

|               |                |                   |
|---------------|----------------|-------------------|
| Drawn<br>DHL  | Checked<br>ARH | Approved<br>JHB   |
| Scale:<br>1:4 |                | Date:<br>06/03/09 |