

T&S BRASS AND BRONZE WORKS, INC.

2 SADDLEBACK COVE / P.O. BOX 1088 / TRAVELERS REST, SC 29690

PHONE 800-476-4103

FAX 864-834-3518



REG.#A2601  
ISO #9002

Model No.

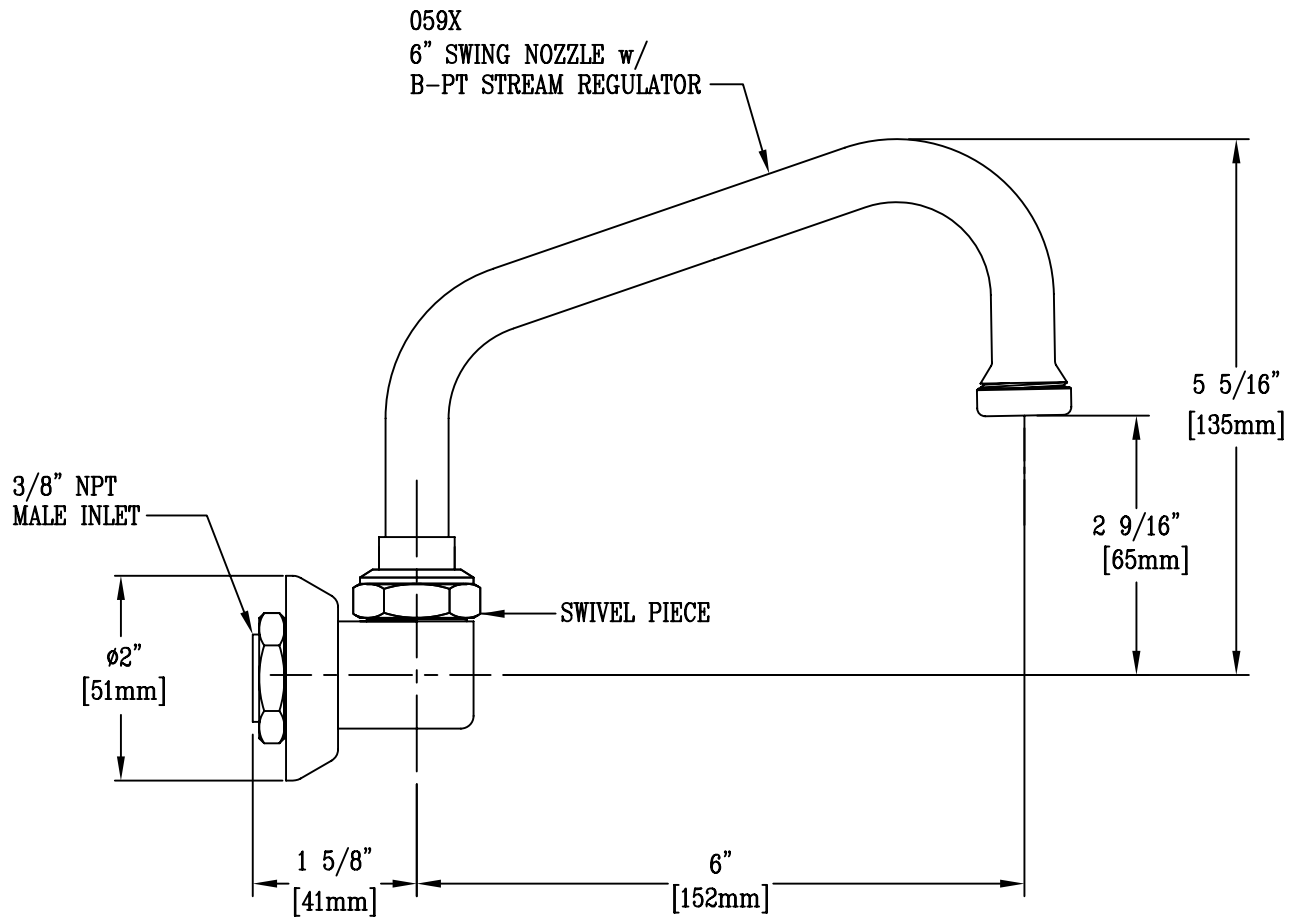
B-0526-2

Item No.:

Job Name:

Architect/Engineer Approval:

Notes:



Product Description:

WALL MOUNTED DUMMY 12" SWING NOZZLE

Drawn:

KJG

Checked

DHL

Scale:

1 : 2

Approved

JHB

Date:

3/10/09



**T&S BRASS AND BRONZE WORKS, INC.**  
 2 SADDLEBACK COVE / P.O. BOX 1088 / TRAVELERS REST, SC 29690  
 PHONE 800-476-4103 FAX 864- 834-3518



Model No.

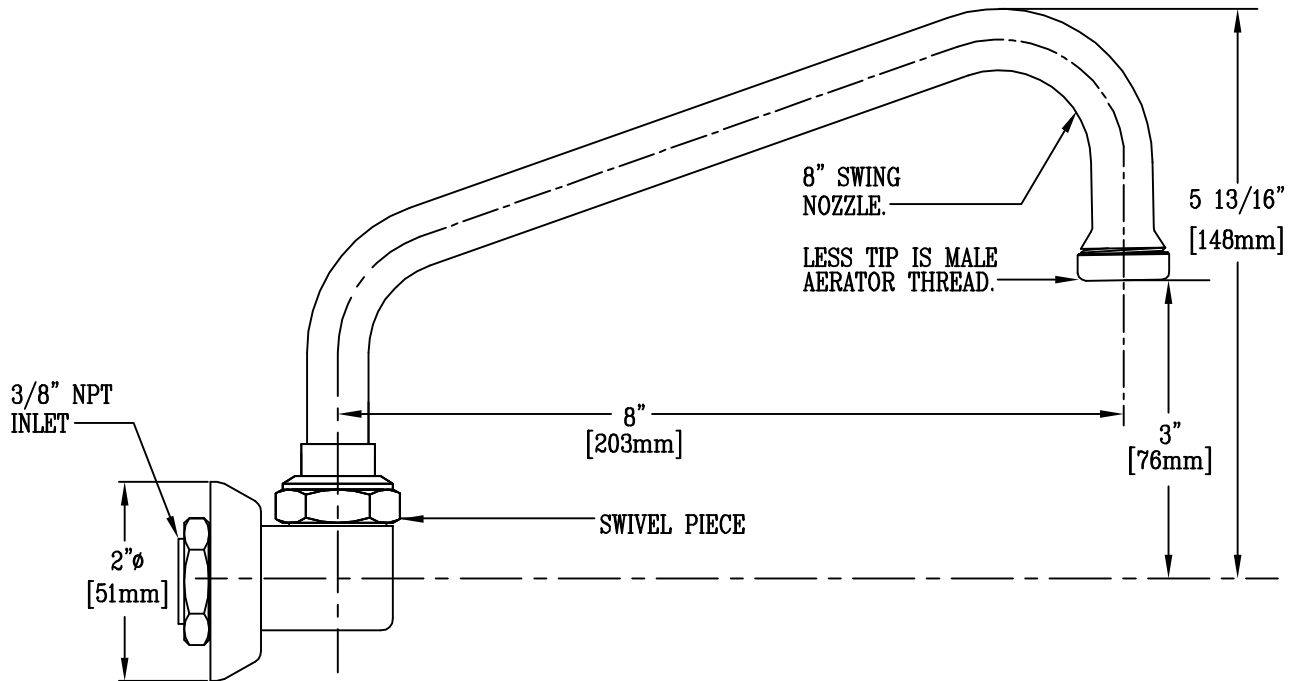
B-0526-3

Item No.:

Job Name:

Architect/Engineer Approval:

Notes:



Product Description:  
 WALL MOUNTED DUMMY GOOSENECK  
 WITH 60X 8" SWING NOZZLE

Drawn:

WJS

Checked

JKD

Scale:

6" = 1'

Approved

MVW

Date:

8-12-97



T&S BRASS AND BRONZE WORKS, INC.

2 SADDLEBACK COVE / P.O. BOX 1088 / TRAVELERS REST, SC 29690

PHONE 800-476-4103

FAX 864-834-3518



REG.#A2601  
ISO #9002

Model No.

B-0526-4

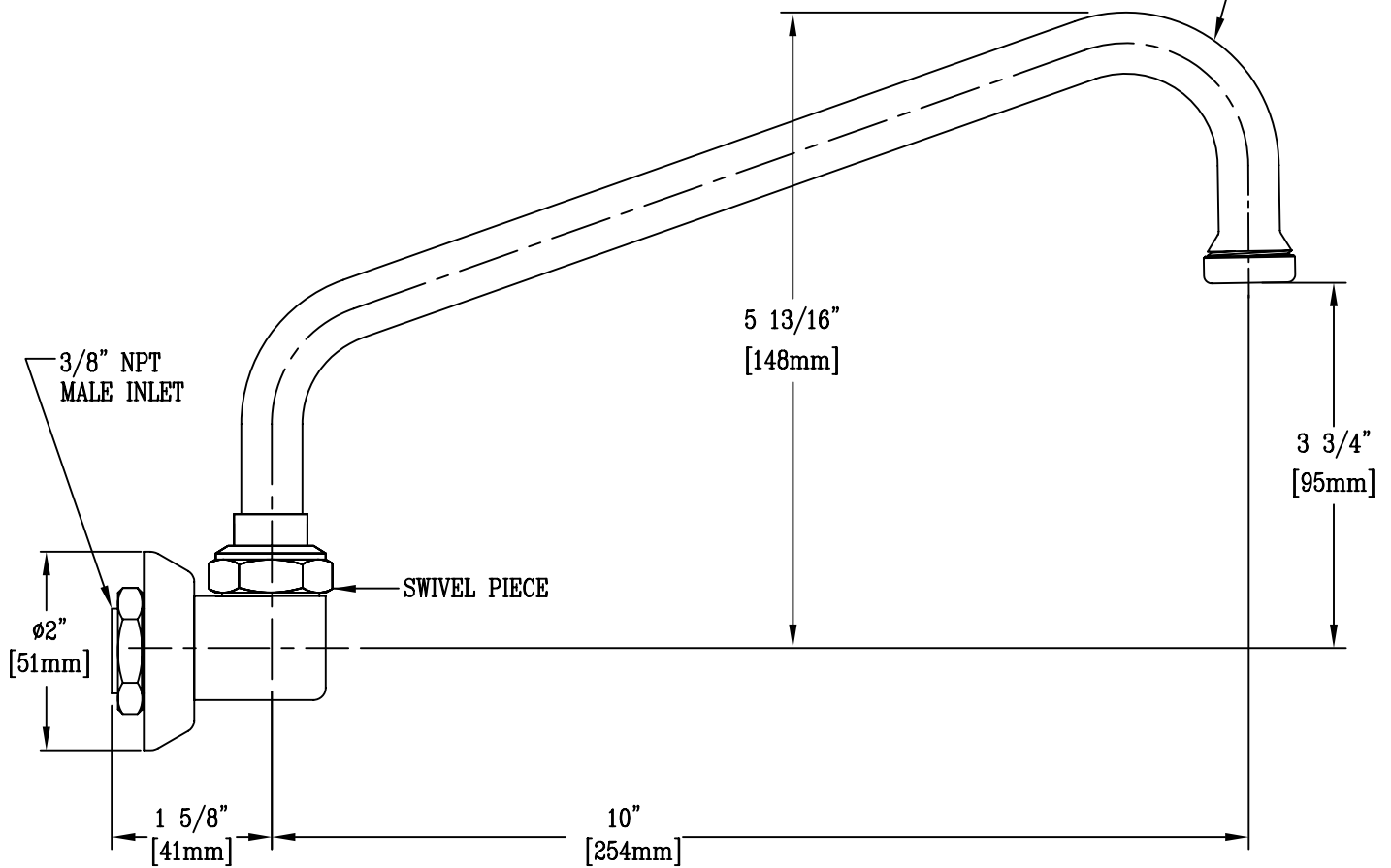
Item No.:

Job Name:

Architect/Engineer Approval:

Notes:

061X  
10" SWING NOZZLE w/  
B-PT STREAM REGULATOR



Product Description:  
WALL MOUNTED DUMMY 10" SWING NOZZLE

Drawn:

KJG

Checked

DHL

Scale:

1 : 2

Approved

JHB

Date:

3/10/09



T&S BRASS AND BRONZE WORKS, INC.  
 2 SADDLEBACK COVE / P.O. BOX 1088 / TRAVELERS REST, SC 29690  
 PHONE 800-476-4103 FAX 864- 834-3518



Model No.

B-0526-5

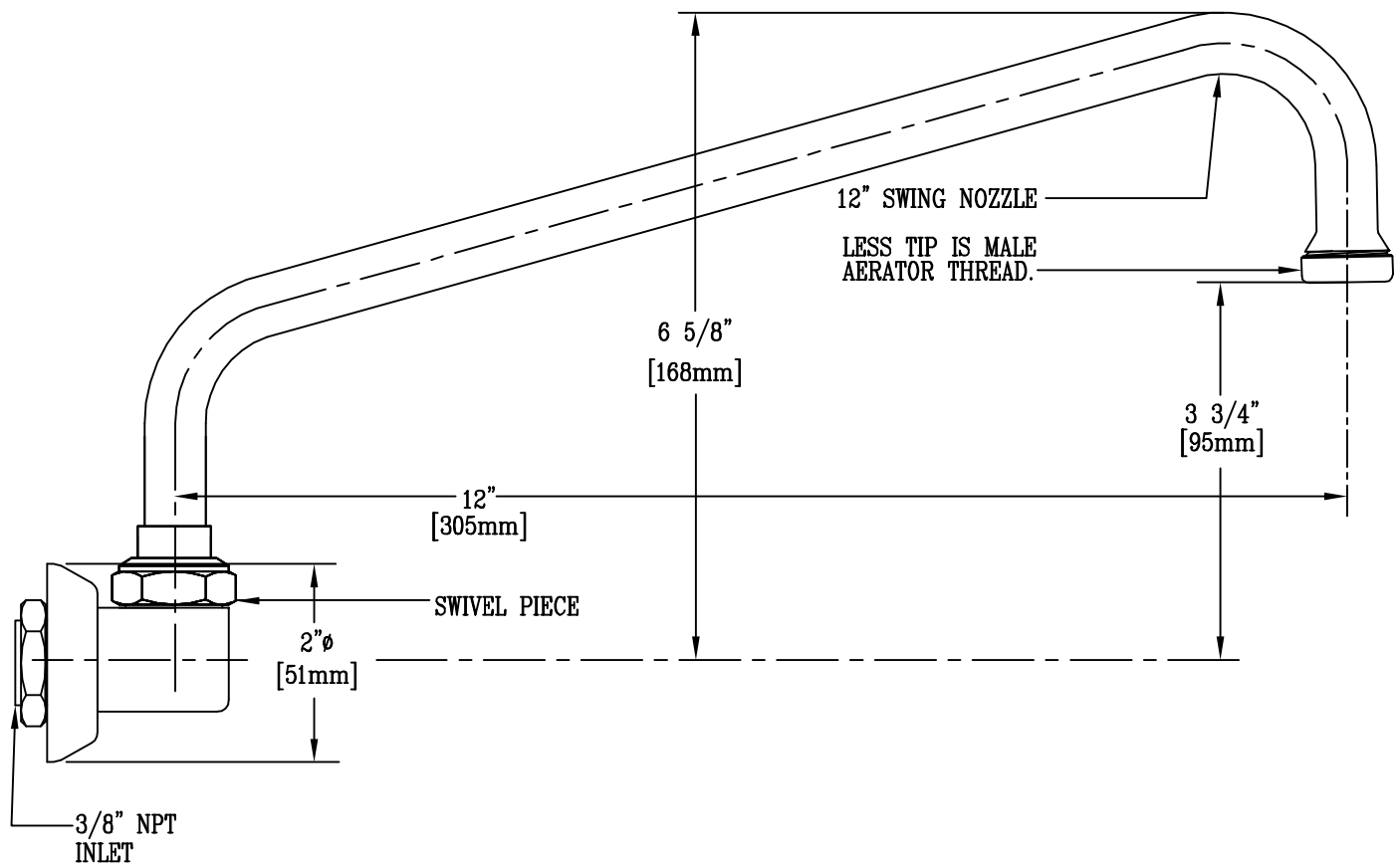
Item No.:

REG.#A2601  
 ISO #9002

Job Name:

Architect/Engineer Approval:

Notes:



Product Description:  
 WALL MOUNTED DUMMY GOOSENECK  
 WITH 62X 12" SWING NOZZLE

Drawn:

WJS

Checked

JKD

Scale:

6" = 1'

Approved

MVW

Date:

8-12-97