



# T&S BRASS AND BRONZE WORKS, INC.

2 Saddleback Cove / P.O. Box 1088  
Travelers Rest, SC 29690



REG. #A2601  
ISO #9001

Model No.

**B-0466**

Item No.

Travelers Rest, SC: 800-476-4103 Simi Valley, CA: 800-423-0150 Fax: 864-834-3518 www.tsbrass.com

This Space for Architect/Engineer Approval

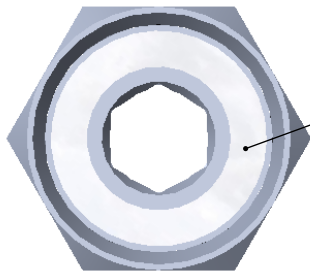
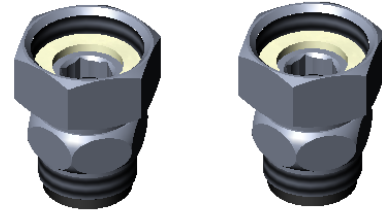
Job Name \_\_\_\_\_ Date \_\_\_\_\_

Model Specified \_\_\_\_\_ Quantity \_\_\_\_\_

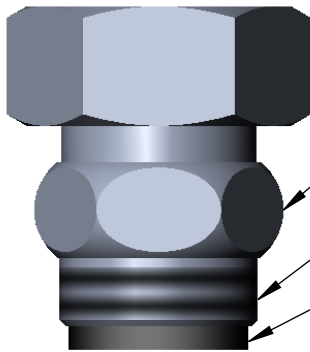
Customer/Wholesaler \_\_\_\_\_

Contractor \_\_\_\_\_

Architect/Engineer \_\_\_\_\_



Supplied with (1)  
Santoprene Seal per Assembly

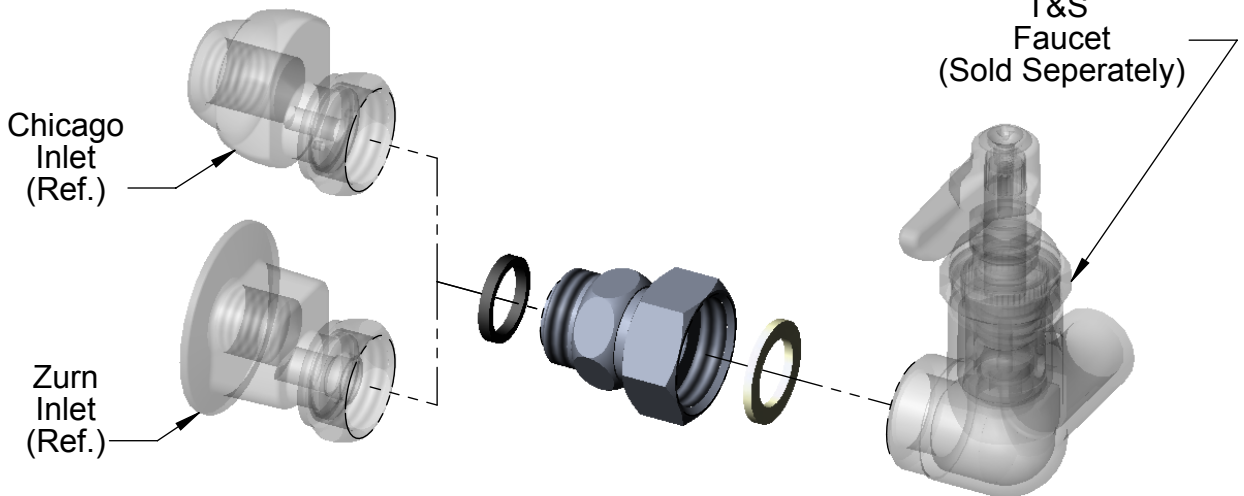


1 3/8" [35mm] Swivel Hex Nut with Internal Threads  
to fit T&S Faucet Body

1 1/8" [28.5mm] Hex on Body

Threads fit Chicago and Zurn  
Inlet Flanges

Supplied with (1)  
Nitrile or EPDM seal per assembly



Product Specifications:

**B-0466 Wall Mount Faucet Adapter  
for T&S Faucet to Chicago / Zurn Inlets  
(Supplied in Qty (2) per package)**

Drawn  
GEF

Checked  
JRM

Approved  
JHB

Scale:

1:1

Date:

6/26/07



# T&S BRASS AND BRONZE WORKS, INC.

2 Saddleback Cove / P.O. Box 1088  
Travelers Rest, SC 29690



REG. #A2601  
ISO #9001

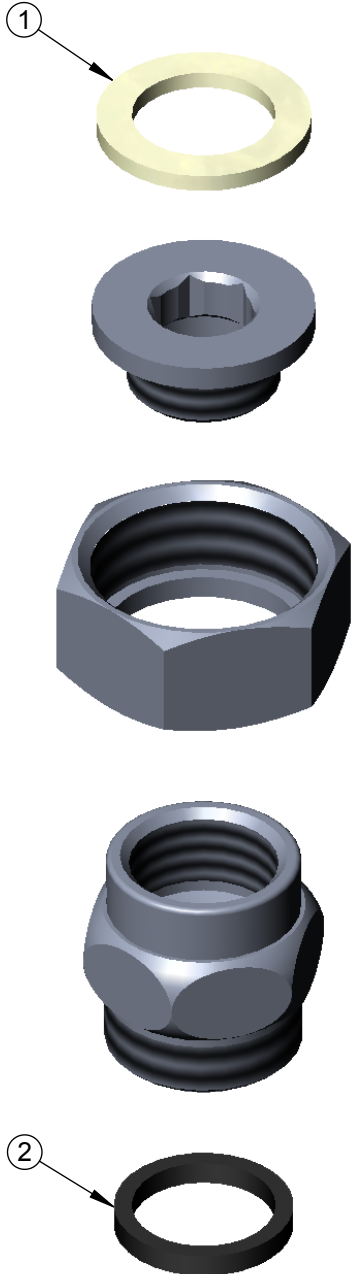
Model No.

**B-0466**

Item No.

Travelers Rest, SC: 800-476-4103 Simi Valley, CA: 800-423-0150 Fax: 864-834-3518 www.tsbrass.com

ITEM NO.	SALES NO.	DESCRIPTION
1	001019-45	Washer, Coupling Nut
2	001040-45	Washer, 3/4 ID x 15/16 OD x 1/8 thick



Product Specifications:

**B-0466 Wall Mount Faucet Adapter  
for T&S Faucet to Chicago / Zurn Inlets  
(Supplied in Qty (2) per package)**

Drawn <b>GEF</b>	Checked <b>JRM</b>	Approved <b>JHB</b>
---------------------	-----------------------	------------------------

Scale: <b>1:1</b>	Date: <b>6/26/07</b>
----------------------	-------------------------