

This Space For Architect/Engineer Approval

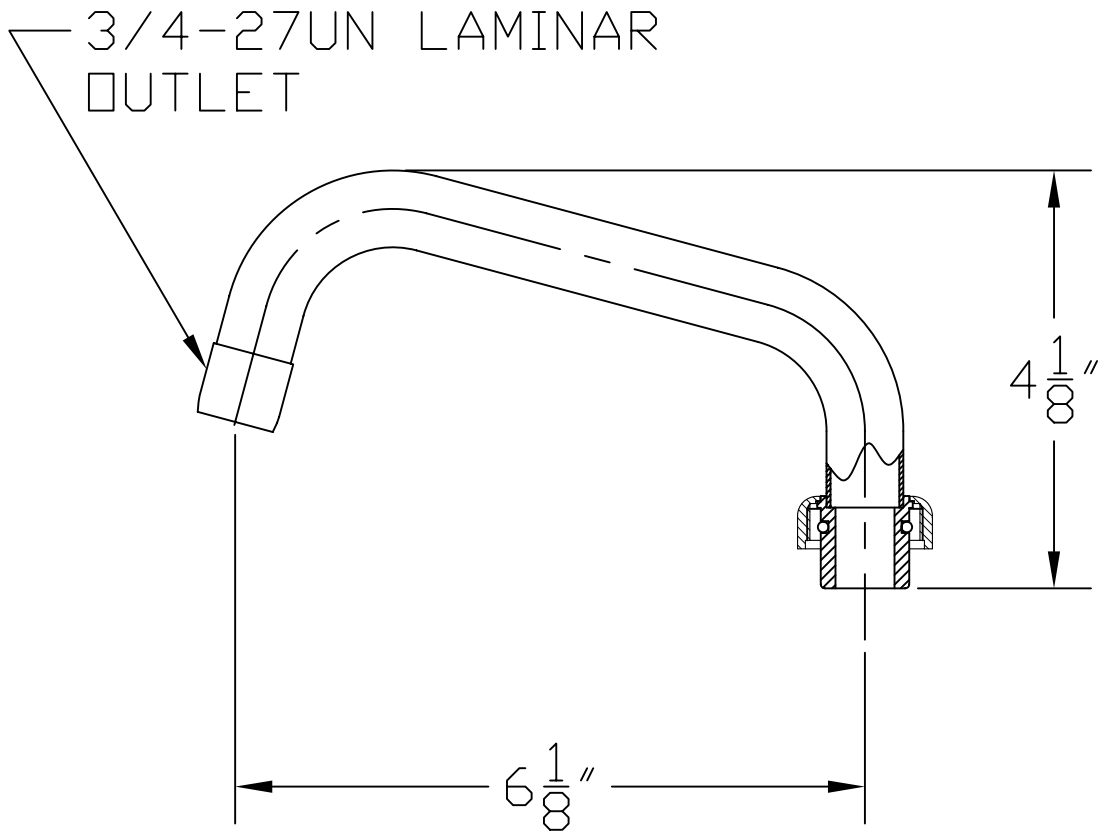
Job Name \_\_\_\_\_ Date \_\_\_\_\_

Model Specified \_\_\_\_\_ Quantity \_\_\_\_\_

Customer/Wholesaler \_\_\_\_\_

Contractor \_\_\_\_\_

Architect/Engineer \_\_\_\_\_



Note:

Conversion to Rigid Requires  
014200-45 Lock Washer  
(Available Separately)

MODEL NUMBER 5SP-06

DATE 3/12/10

SCALE 1:4

DRAWN DMH

CHECKED GEF

APPROVED JHB



DESCRIPTION

6" SWING NOZZLE, EQUIP

equip Foodservice Accessories  
P.O. BOX 1088, 2 SADDLEBACK COVE  
TRAVELERS REST, SOUTH CAROLINA 29690  
PHONE: 800.891.4808 FAX: 800.868.0084

This Space For Architect/Engineer Approval

Job Name \_\_\_\_\_ Date \_\_\_\_\_

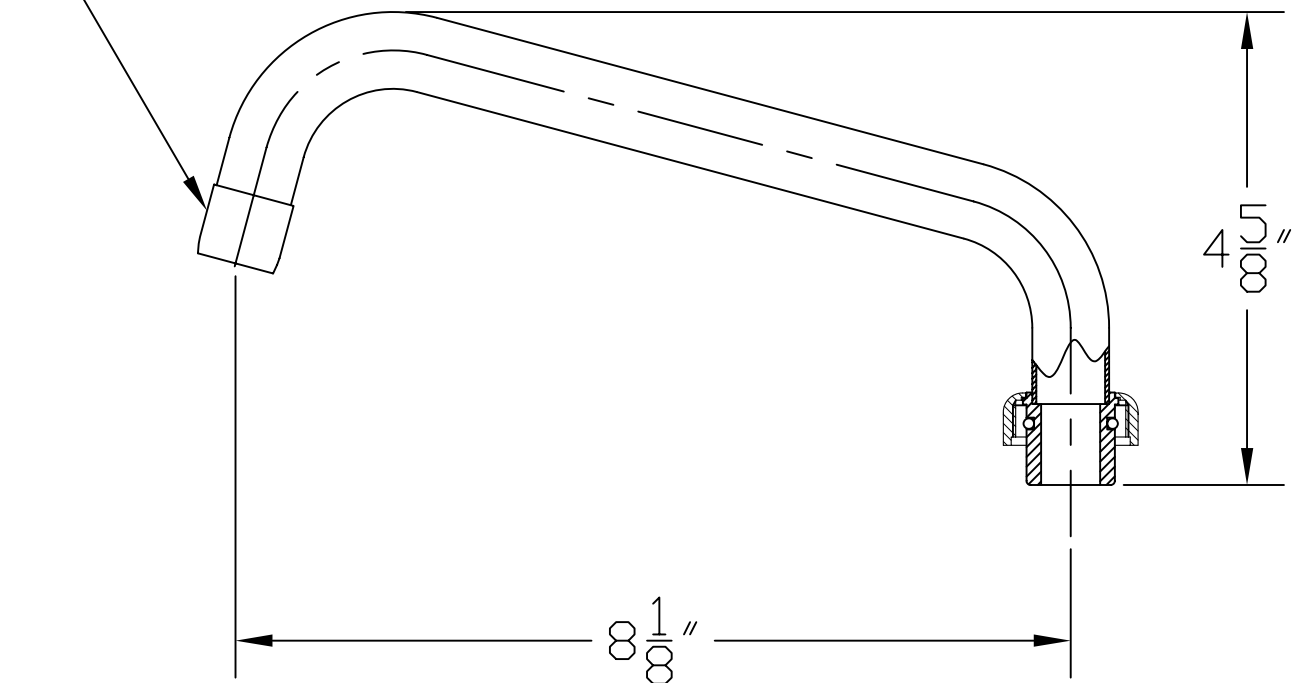
Model Specified \_\_\_\_\_ Quantity \_\_\_\_\_

Customer/Wholesaler \_\_\_\_\_

Contractor \_\_\_\_\_

Architect/Engineer \_\_\_\_\_

3/4-27UN LAMINAR  
OUTLET



Note:  
Conversion to Rigid Requires  
014200-45 Lock Washer  
(Available Separately)

MODEL NUMBER 5SP-08

DATE 3/12/10

SCALE 1:2

DRAWN DMH

CHECKED GEF

APPROVED JHB



DESCRIPTION

08" SWING NOZZLE, EQUIP

equip Foodservice Accessories  
P.O. BOX 1088, 2 SADDLEBACK COVE  
TRAVELERS REST, SOUTH CAROLINA 29690  
PHONE: 800.891.4808 FAX: 800.868.0084

This Space For Architect/Engineer Approval

Job Name \_\_\_\_\_ Date \_\_\_\_\_

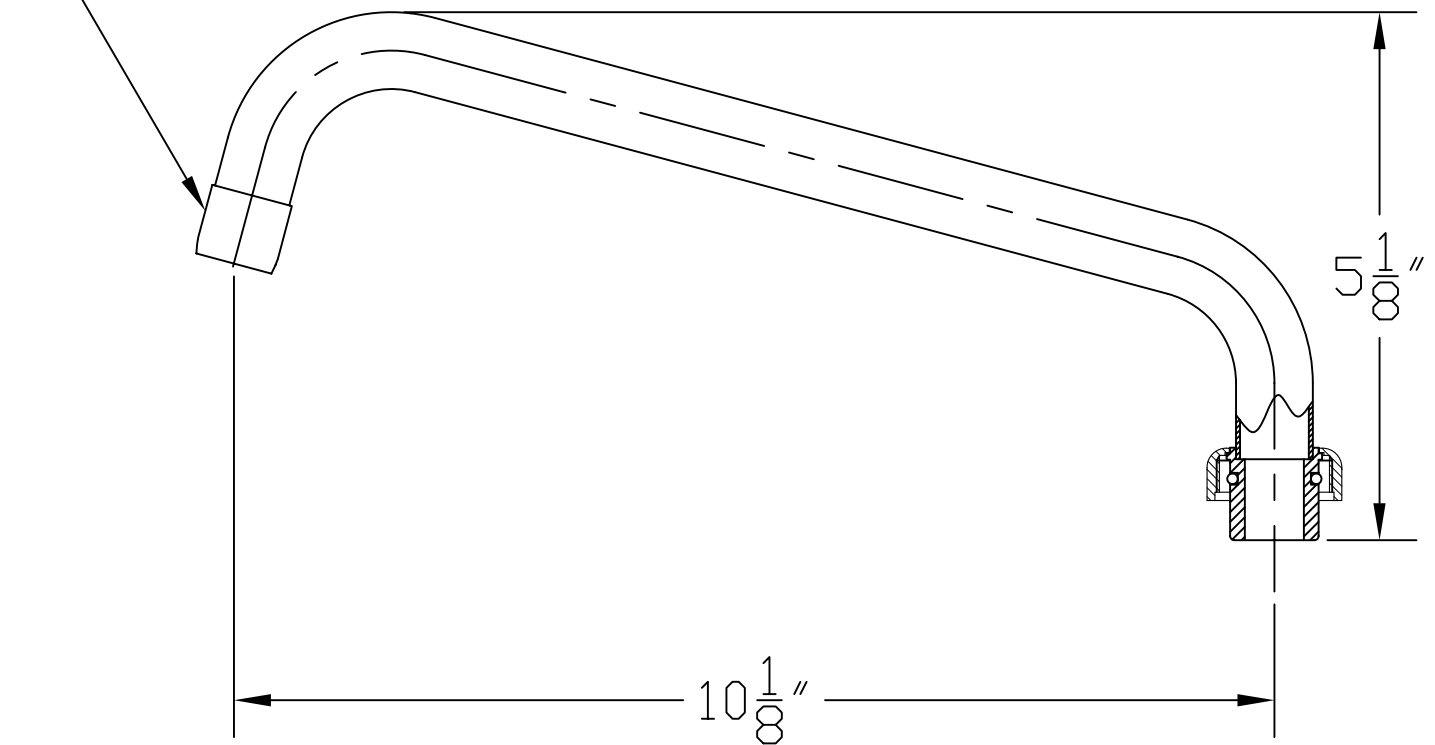
Model Specified \_\_\_\_\_ Quantity \_\_\_\_\_

Customer/Wholesaler \_\_\_\_\_

Contractor \_\_\_\_\_

Architect/Engineer \_\_\_\_\_

3/4-27UN LAMINAR  
OUTLET



Note:  
Conversion to Rigid Requires  
014200-45 Lock Washer  
(Available Separately)

MODEL NUMBER 5SP-10

DATE 3/12/10

SCALE 1:4

DRAWN DMH

CHECKED GEF

APPROVED JHB



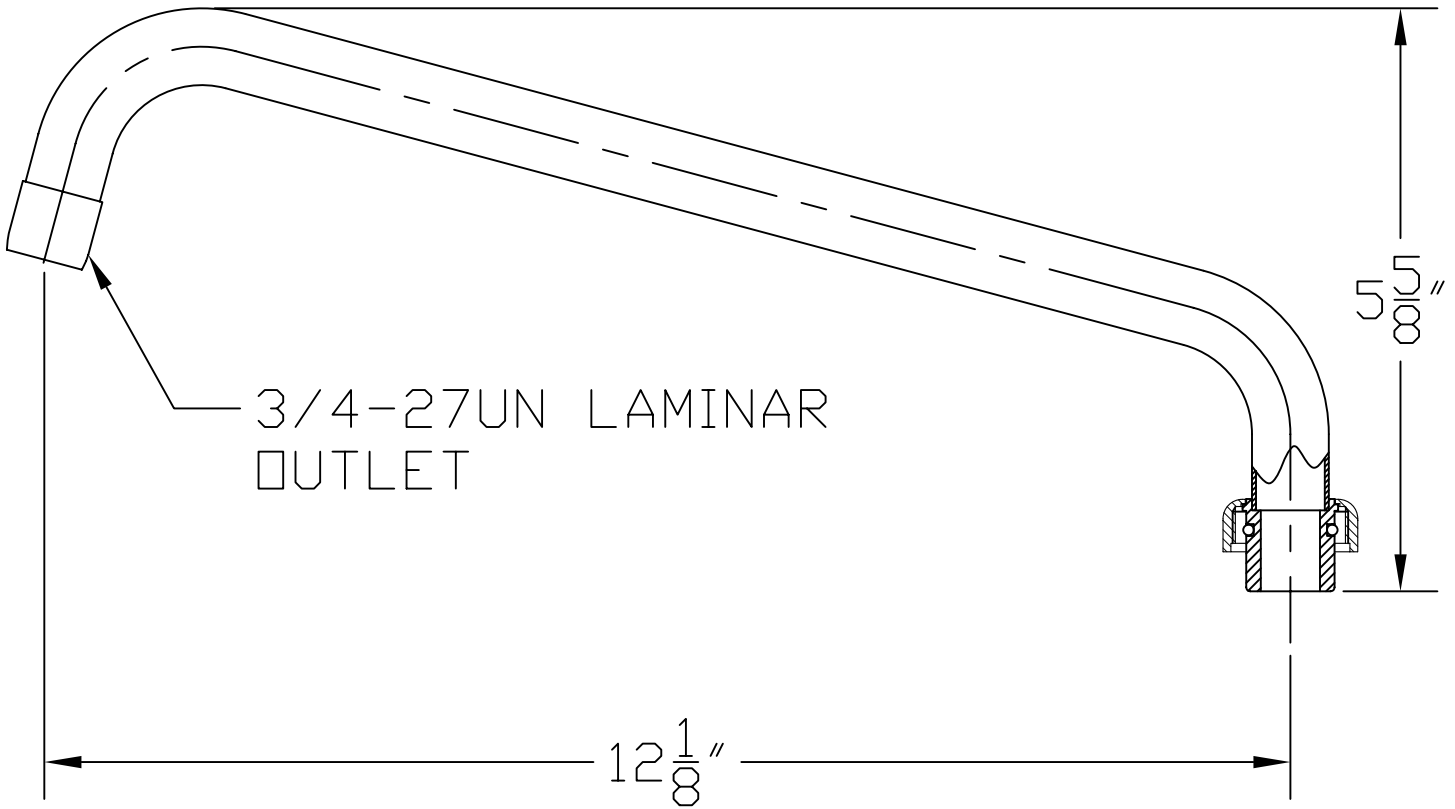
DESCRIPTION

10" SWING NOZZLE, EQUIP

equip Foodservice Accessories  
P.O. BOX 1088, 2 SADDLEBACK COVE  
TRAVELERS REST, SOUTH CAROLINA 29690  
PHONE: 800.891.4808 FAX: 800.868.0084

This Space For Architect/Engineer Approval

Job Name \_\_\_\_\_ Date \_\_\_\_\_  
 Model Specified \_\_\_\_\_ Quantity \_\_\_\_\_  
 Customer/Wholesaler \_\_\_\_\_  
 Contractor \_\_\_\_\_  
 Architect/Engineer \_\_\_\_\_



Note:  
 Conversion to Rigid Requires  
 014200-45 Lock Washer  
 (Available Separately)

MODEL NUMBER 5SP-12	DATE 3/12/10	SCALE 1:4	DRAWN DMH	CHECKED GEF	APPROVED JHB
------------------------	-----------------	--------------	--------------	----------------	-----------------



DESCRIPTION  
 12" SWING NOZZLE, EQUIP

equip Foodservice Accessories  
 P.O. BOX 1088, 2 SADDLEBACK COVE  
 TRAVELERS REST, SOUTH CAROLINA 29690  
 PHONE: 800.891.4808 FAX: 800.868.0084

This Space For Architect/Engineer Approval

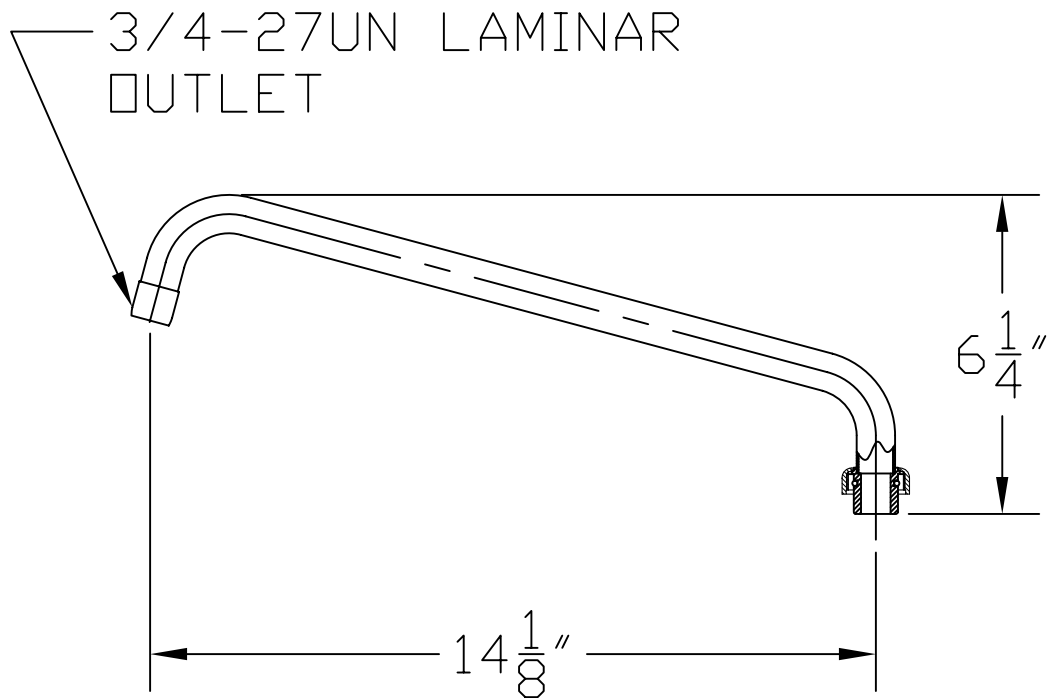
Job Name \_\_\_\_\_ Date \_\_\_\_\_

Model Specified \_\_\_\_\_ Quantity \_\_\_\_\_

Customer/Wholesaler \_\_\_\_\_

Contractor \_\_\_\_\_

Architect/Engineer \_\_\_\_\_



Note:  
Conversion to Rigid Requires  
014200-45 Lock Washer  
(Available Separately)

MODEL NUMBER 5SP-14	DATE 3/12/10	SCALE 1:4	DRAWN DMH	CHECKED GEF	APPROVED JHB
------------------------	-----------------	--------------	--------------	----------------	-----------------

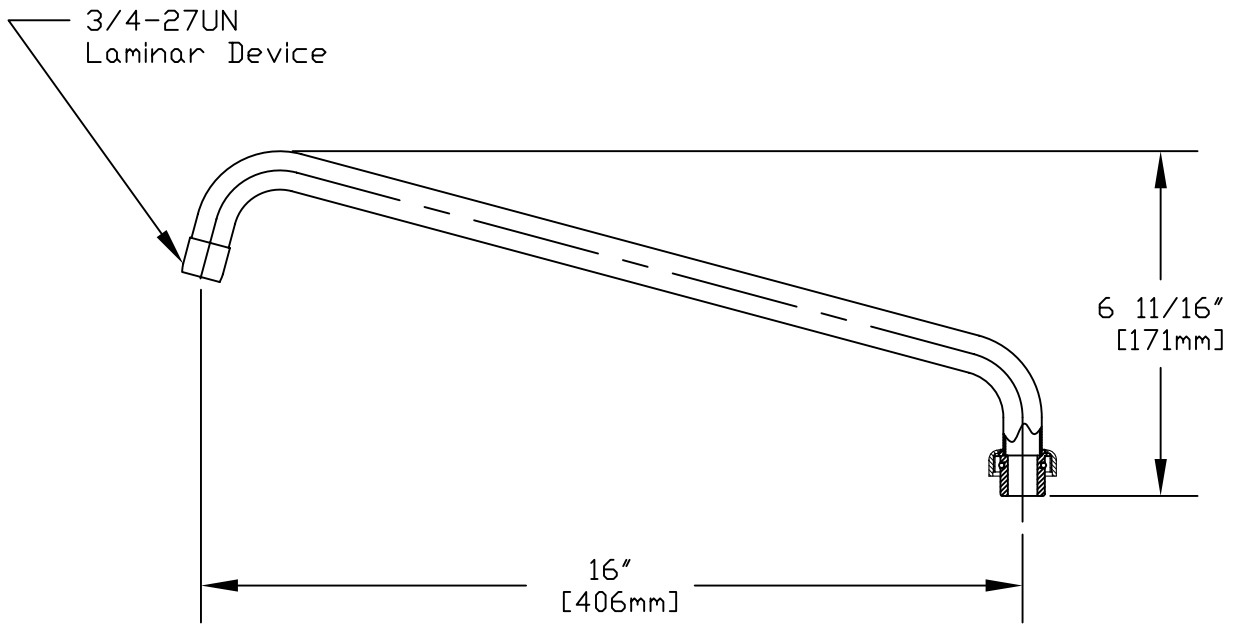


DESCRIPTION  
14" SWING NOZZLE, EQUIP

equip Foodservice Accessories  
P.O. BOX 1088, 2 SADDLEBACK COVE  
TRAVELERS REST, SOUTH CAROLINA 29690  
PHONE: 800.891.4808 FAX: 800.868.0084

This Space For Architect/Engineer Approval

Job Name \_\_\_\_\_ Date \_\_\_\_\_  
 Model Specified \_\_\_\_\_ Quantity \_\_\_\_\_  
 Customer/Wholesaler \_\_\_\_\_  
 Contractor \_\_\_\_\_  
 Architect/Engineer \_\_\_\_\_



Note:  
 Conversion to Rigid Requires  
 014200-45 Lock Washer  
 (Available Separately)

MODEL NUMBER	5SP-16	DATE	3/12/10	SCALE	1:4	DRAWN	DMH	CHECKED	GEF	APPROVED	JHB
--------------	--------	------	---------	-------	-----	-------	-----	---------	-----	----------	-----



DESCRIPTION

16" SWING NOZZLE, EQUIP

equip Foodservice Accessories  
 P.O. BOX 1088, 2 SADDLEBACK COVE  
 TRAVELERS REST, SOUTH CAROLINA 29690  
 PHONE: 800.891.4808 FAX: 800.868.0084

This Space For Architect/Engineer Approval

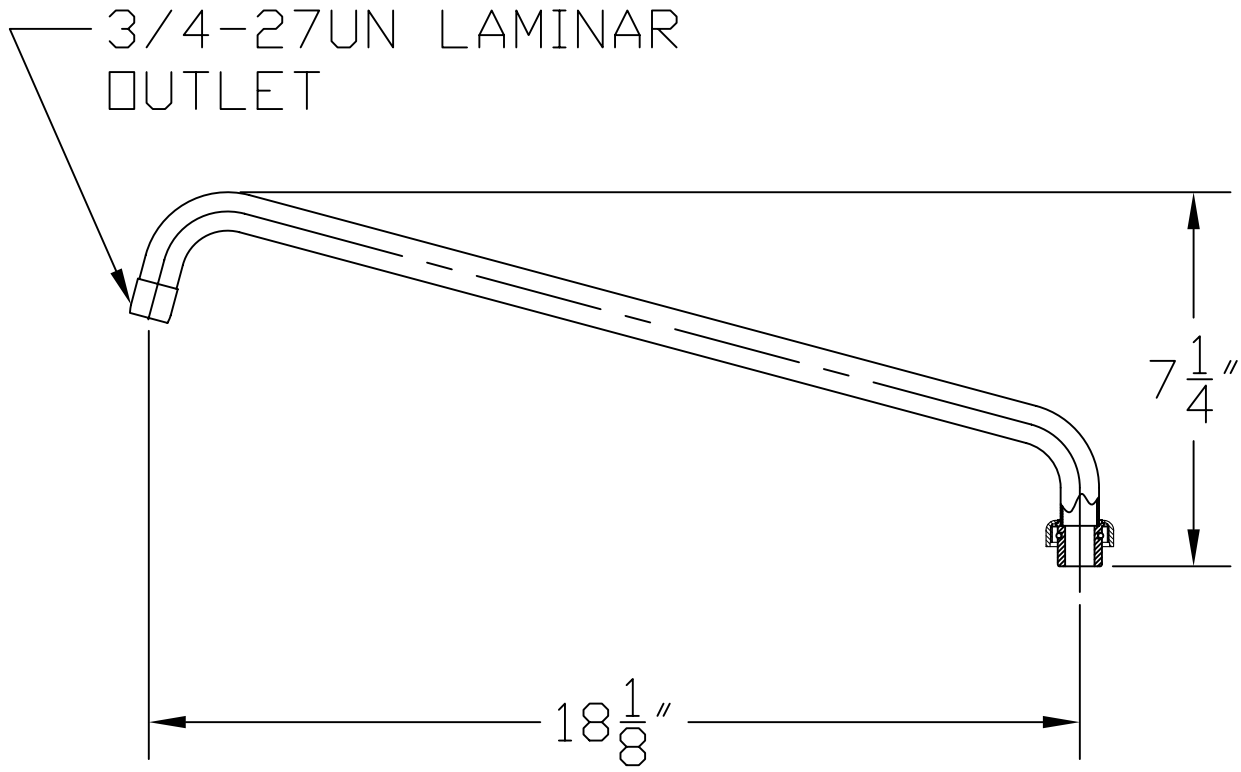
Job Name \_\_\_\_\_ Date \_\_\_\_\_

Model Specified \_\_\_\_\_ Quantity \_\_\_\_\_

Customer/Wholesaler \_\_\_\_\_

Contractor \_\_\_\_\_

Architect/Engineer \_\_\_\_\_



Note:

Conversion to Rigid Requires  
014200-45 Lock Washer  
(Available Separately)

MODEL NUMBER 5SP-18	DATE 3/12/10	SCALE 1:4	DRAWN DMH	CHECKED GEF	APPROVED JHB
------------------------	-----------------	--------------	--------------	----------------	-----------------



DESCRIPTION  
18" SWING NOZZLE, EQUIP

equip Foodservice Accessories  
P.O. BOX 1088, 2 SADDLEBACK COVE  
TRAVELERS REST, SOUTH CAROLINA 29690  
PHONE: 800.891.4808 FAX: 800.868.0084