



T&S BRASS AND BRONZE WORKS, INC.

2 Saddleback Cove / P.O. Box 1088
Travelers Rest, SC 29690



REG. #A2601
ISO #9001

Model No.

108V-RK

Item No.

Travelers Rest, SC: 800-476-4103 Simi Valley, CA: 800-423-0150 Fax: 864-834-3518 www.tsbrass.com

This Space for Architect/Engineer Approval

Job Name _____ Date _____

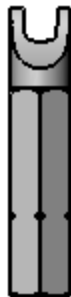
Model Specified _____ Quantity _____

Customer/Wholesaler _____

Contractor _____

Architect/Engineer _____

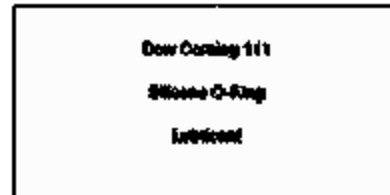
1/4" SPANNER
BIT(1)



END PLUG
ASSEMBLY(1)



DC-111
SILICONE GREASE(1)



VALVE
ASSEMBLY(1)



COMPRESSION
SPRING(1)

INDIVIDUAL ITEMS ARE NOT SOLD SEPARATELY

Product Specifications:

B-0108 VALVE REPAIR KIT

Drawn
JRM

Checked
GEF

Approved
JHB

Scale:

1:1

Date:

09/18/06



Limited One Year Warranty

T&S warrants to the original purchaser (other than for purposes of resale) that such product is free from defects in material and workmanship for a period of one (1) year from the date of purchase. During this one-year warranty period, if the product is found to be defective, T&S shall, at its options, repair and/or replace it. To obtain warranty service, products must be returned to...

*T&S Brass and Bronze Works, Inc.
Attn: Warranty Repair Department
2 Saddleback Cove
Travelers Rest, SC 29690*

Shipping, freight, insurance, and other transportation charges of the product to T&S and the return of repaired or replaced product to the purchaser are the responsibility of the purchaser. Repair and/or replacement shall be made within a reasonable time after receipt by T&S of the returned product. This warranty does not cover items which have received secondary finishing or have been altered or modified after purchase, or for defects caused by physical abuse to or misuse of the product, or shipment of the products.

Any express warranty not provided herein, and any remedy for Breach of Contract which might arise, is hereby excluded and disclaimed. Any implied warranties of merchantability or fitness for a particular purpose are limited to one year in duration. Under no circumstances shall T&S be liable for loss of use or any special consequential costs, expenses or damages.

Some states do not allow limitations on how long an implied warranty lasts or the exclusion or limitation of incidental or consequential damages, so the above limitations or exclusions may not apply to you. Specific rights under this warranty and other rights vary from state to state.

P/N: 098-015971-45 Rev. 2
Date: 08-26-10
Drawn: TEH
Checked: JRM 10-07-10
Approved: JHB 10-08-10

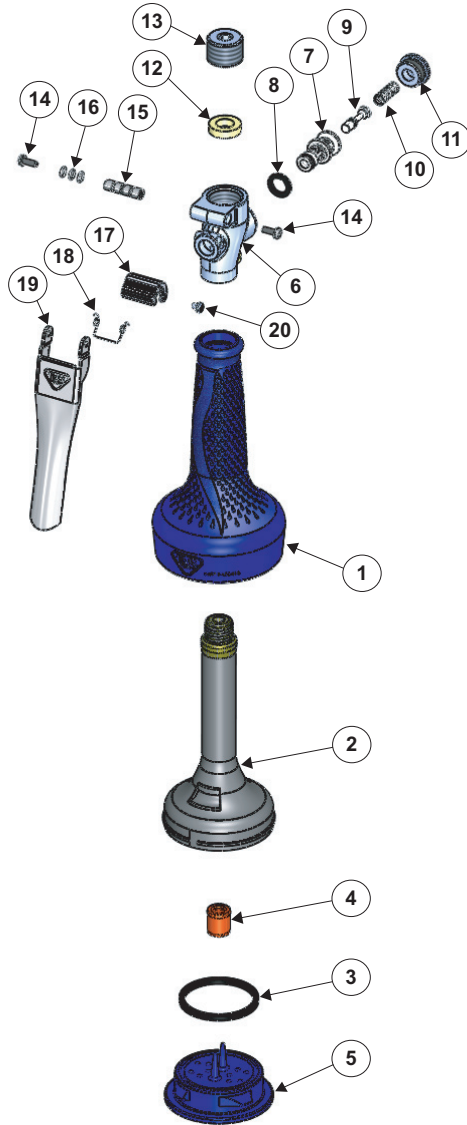
Installation and Maintenance Instructions



B-0108 Series SPRAY VALVE

US Patent #7,150,415
& International Patents

Exploded View



* Some items are listed for instructional purposes and may not be sold as separate parts.

Part Number Guide

B-0108 Spray Valve

1	Grip, Spray Valve	*
2	Bugle, Spray Valve	*
3	Washer	*
4	Check Valve	*
5	Spray Face, Spray Valve	*
6	Body, Spray Valve	*
7	Liner, Spray Valve	*
8	Face Seal, Spray Valve	*
9	Stem Asm, Spray Valve	*
10	Spring, Compression	*
11	Plug, Spray Valve	*
12	Screen, Spray Valve	*
13	Close Nipple	*
14	Screws	*
15	Pivot Pin, Spray Valve	*
16	O-Rings, Pivot Pin	*
17	Trigger Catch, Spray Valve	*
18	Torsion Spring, Trigger Lock	*
19	Trigger, Spray Valve	*
20	Screw, Trigger Lock	*

B-0108 Repair Kits

Pg 5	Valve Repair Kit	108V-RK
Pg 6	Trigger Repair Kit	108T-RK
Pg 7	Inlet Screen/Washer Repair Kit	108S-RK
Pg 8	EPAct 0.65 GPM Low Flow Spray Face Repair Kit	108CSF-RK
Pg 9	High Flow Spray Face Repair Kit	108HSF-RK
Pg 9	EPAct 1.48 GPM Spray Face Repair Kit	108SF-RK

General Instructions

Installation:

1. Shut off water supply and drain lines.
2. Remove old spray valve from hose, including handle if applicable. (See images 1 & 2)
Note: Make sure that the hose washer is still in place inside the hose barrel before installing your new Jet Spray valve.
3. Install your new Jet Spray valve by threading top of valve into hose barrel. Tighten with a pair of pliers or wrench if necessary. (See images 3 & 4)

Image 1



Image 2



Image 3



Image 4



Operation:

1. To activate Jet Spray valve, squeeze stainless steel trigger lever against grip. (See image 5)

Optional: For continued flow, press the trigger lever and pull the metal latch over the top of the trigger lever and release. (See image 6)

2. To deactivate Jet Spray valve, release trigger lever. (See image 7)

Note: If trigger catch is engaged, squeeze trigger lever and release to deactivate.

Image 5



Image 6



Image 7



Caution: Your Jet Spray valve produces a powerful water spray. Never aim at a person or use for any purpose other than intended.

General Instructions

1/4" Spanner Bit (1)



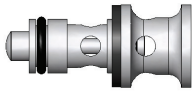
End Plug Assembly (1)



DC-111 Silicone Grease (1)

Dow Corning 111
Silicone O-Ring
Lubricant

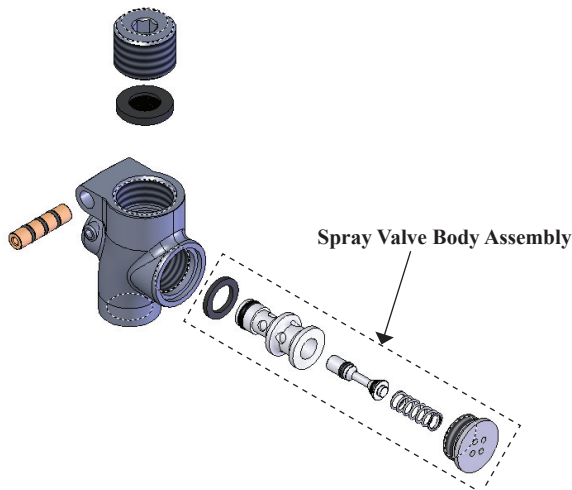
Valve Repair Assembly (1)



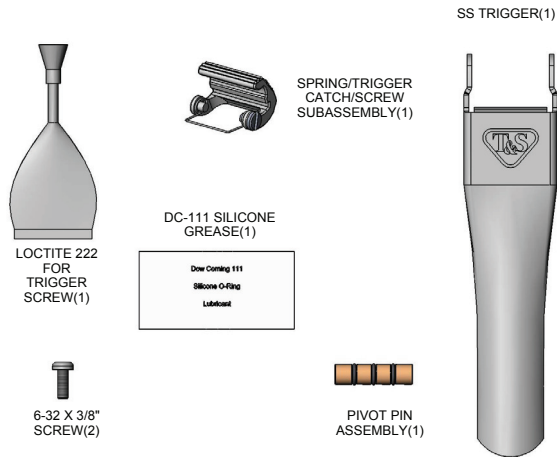
Compression Spring (1)

B-0108 Valve Repair Kit -- 108V-RK

1. Shut off water supply to spray valve.
2. Using the 1/4" spanner bit, unscrew the end plug.
- Note: Be careful in removing end plug; the spring behind end plug is under compression.
3. Remove the end plug and spring carefully followed by the other three pieces of the valve assembly. Use of a small flat end screwdriver may be needed to push out assembly from under the trigger lever.
4. Place DC-111 silicone grease on all o-ring seals on valve assembly. Place into valve housing.
5. Locate spring into hole of valve assembly and recess in the end cap.
6. Carefully screw end plug into place using the 1/4" spanner bit.

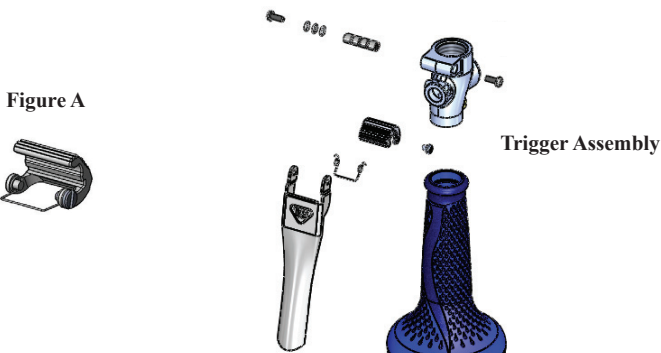


General Instructions



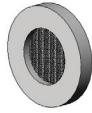
B-0108 Trigger Repair Kit -- 108T-RK

1. Shut off water supply to spray valve.
2. Using two phillips head screwdrivers, remove the two screws retaining the trigger handle.
3. Remove the trigger handle and using a screwdriver, gently push the pivot pin out of the body.
4. Unscrew screw in trigger lock. Remove trigger lock.
5. Make sure torsion spring is orientated with spring hooks facing up as shown in Figure A below.
6. Place pin in valve body Apply 222 to threads of screw and screw through trigger catch into valve body.
7. Apply silicone grease to o-rings on pivot pin and gently slide into valve body.
8. Locate trigger handle in place, line up the screw holes with the pivot pin assembly & secure on each side with a screw.
9. To check functionality, depress trigger handle and engage trigger catch. Depress trigger handle to disengage trigger catch.



General Instructions

Inlet Filter (1)

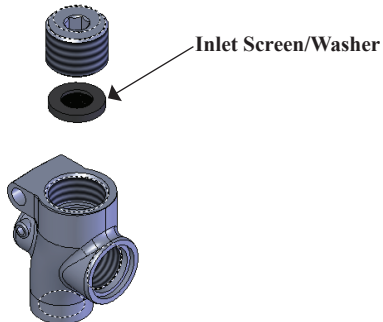


Loctite 222 (1)

B-0108 Inlet Screen/Washer Repair Kit -- 108S-RK

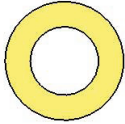
To replace the inlet screen/washer between the top of the valve body and the 7/8"-20 adapter.

1. Shut off water supply to spray valve.
2. By inserting a 3/8" L-wrench into the 7/8"-20 adapter, unscrew and remove the adapter as well as the screen and washer.
3. Insert new one-piece screen/washer into valve body.
4. Place Loctite 222 on the threads of the 7/8"-20 adapter and install adapter, using the 3/8" L-wrench to tighten.
5. Turn water on to spray valve and check for leaks.

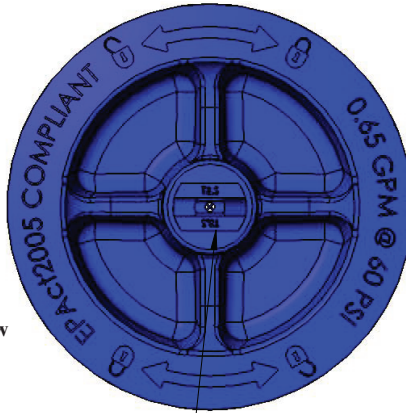


General Instructions

Washer (1)



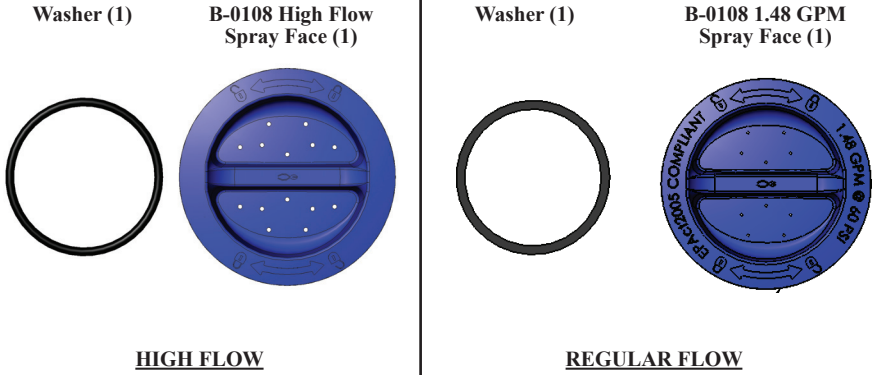
B-0108 Low Flow
Spray Face (1)



B-0108 Low Flow Spray Face Repair Kit -- 108CSF-RK EPA2005 Compliant 0.65 GPM Fan Spray Repair Kit

1. Shut off water supply to spray valve.
2. With hand or pliers, use center ribs to turn the spray face counter-clockwise and remove spray face and washer.
3. Place new washer in recess on top inside of new spray face.
4. Holding spray face horizontal with washer facing up, place spray face into spray valve and secure by rotating clock-wise until tight. Pliers may be used for this, but do not over-tighten and be careful not to damage nozzle.
5. Turn water on to spray valve and check for leaks.

General Instructions



B-0108 Spray Face Repair Kits

108HSF-RK -- High Flow Spray Face

108SF-RK -- EPAct 2005 Compliant 1.48 GPM Spray Face

1. Shut off water supply to spray valve.
2. With hand or pliers, use center rib to turn the spray face counter-clockwise and remove spray face and washer.
3. Place new washer in groove of new spray face.
4. Holding spray face horizontal with washer surface facing up, place spray face into spray valve and secure by rotating clock-wise until tight. Pliers may be used for this, but do not over-tighten.
5. Turn water on to spray valve and check for leaks.



Spray Face Assembly

RELATED T&S BRASS PRODUCT LINE



B-0107
Pre-Rinse Spray Valve
1.42 GPM - EPAAct 2005 Compliant



B-0107-C
Low Flow Pre-Rinse Spray Valve
0.65 GPM - EPAAct 2005 Compliant

T&S BRASS AND BRONZE WORKS, INC.

A firm commitment to application-engineered plumbing products

2 Saddleback Cove, P.O. Box 1088,
Travelers Rest, SC 29690

Phone: (864) 834-4102

Fax: (864) 834-3518

E-mail: tsbrass@tsbrass.com

T & S Brass-Europe
'De Veenhoeve'

Oude Nieuwveenseweg 84
2441 CW Nieuwveen

The Netherlands



RELIABILITY BUILT IN™