



T&S BRASS AND BRONZE WORKS, INC.

2 SADDLEBACK COVE / P.O. BOX 1088 / TRAVELERS REST, SC 29690

PHONE 800-476-4103

FAX 864-834-3518



REG.#A2601
ISO #9002

Model No.

HW-4 SERIES

Item No.:

Job Name:

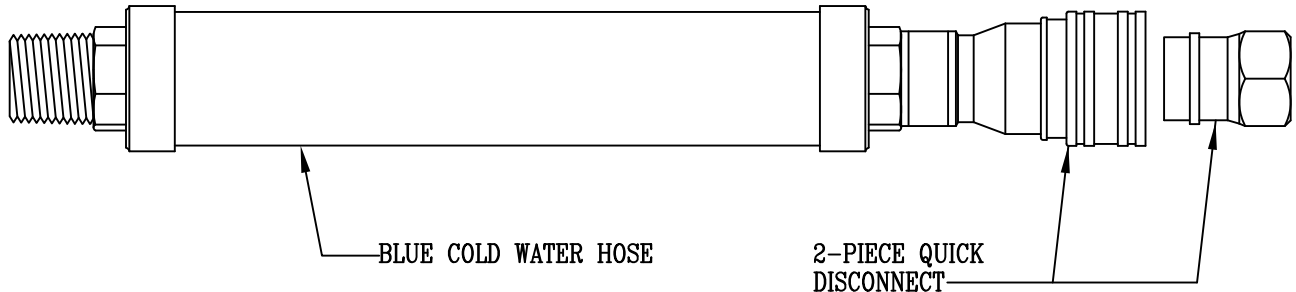
Architect/Engineer Approval:



TO ORDER HW-4 SERIES: HW---

EX: HW-4D-48

WATER HOSE, 3/4" NPT, (1) QUICK-DISCONNECT, 48" LENGTH



LENGTH	1/4" NPT
12"	HW-4A-12
24"	HW-4A-24
36"	HW-4A-36
48"	HW-4A-48
60"	HW-4A-60
72"	HW-4A-72

LENGTH	1/2" NPT
12"	HW-4C-12
24"	HW-4C-24
36"	HW-4C-36
48"	HW-4C-48
60"	HW-4C-60
72"	HW-4C-72

LENGTH	3/8" NPT
12"	HW-4B-12
24"	HW-4B-24
36"	HW-4B-36
48"	HW-4B-48
60"	HW-4B-60
72"	HW-4B-72

LENGTH	3/4" NPT
12"	HW-4D-12
24"	HW-4D-24
36"	HW-4D-36
48"	HW-4D-48
60"	HW-4D-60
72"	HW-4D-72

Product Description:
SAFE-T-LINK WATER APPLIANCE CONNECTORS:
COATED HOSE WITH QUICK-DISCONNECT

Drawn: DHL	Checked JRM	Scale: NTS
Approved JHB		Date: 05/31/11



T&S BRASS AND BRONZE WORKS, INC.
 2 Saddleback Cove / P.O. Box 1088
 Travelers Rest, SC 29690

Model No.
HW-4C-48VB

Item No.

Travelers Rest, SC: 800-476-4103 • Simi Valley, CA: 800-423-0150 • Fax: 864-834-3518 • www.tsbrass.com

This Space for Architect/Engineer Approval

Job Name _____ Date _____

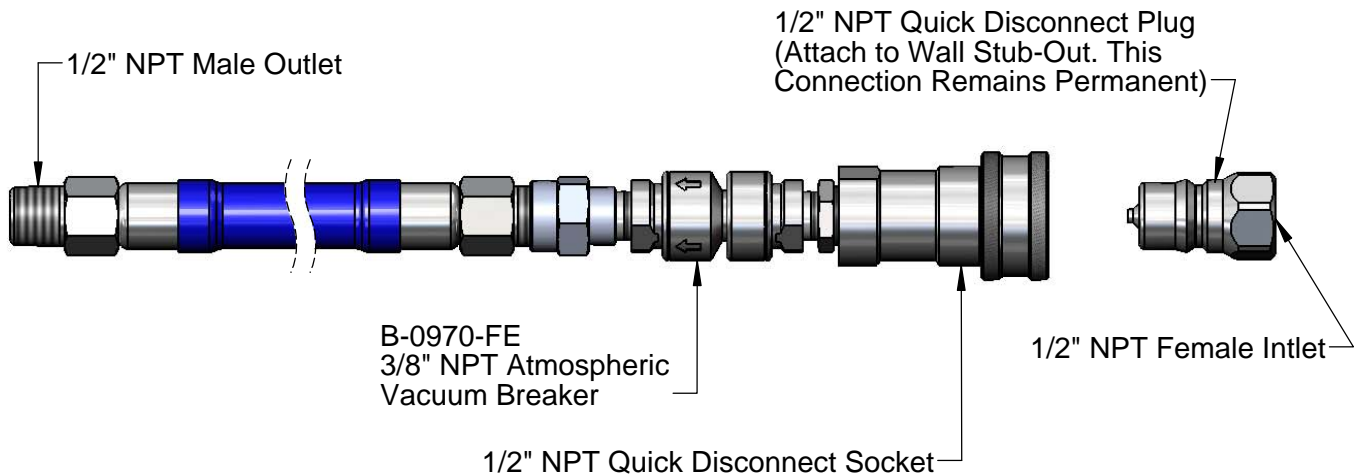
Model Specified _____ Quantity _____

Customer/Wholesaler _____

Contractor _____

Architect/Engineer _____

SAFE·T·LINK



Product Specifications:
 1/2" NPT x 48" Water Hose w/ Quick Disconnect & Vacuum Breaker

Drawn
DHL

Checked
KJG

Approved
JHB

Scale:
3:8

Date:
07/17/13



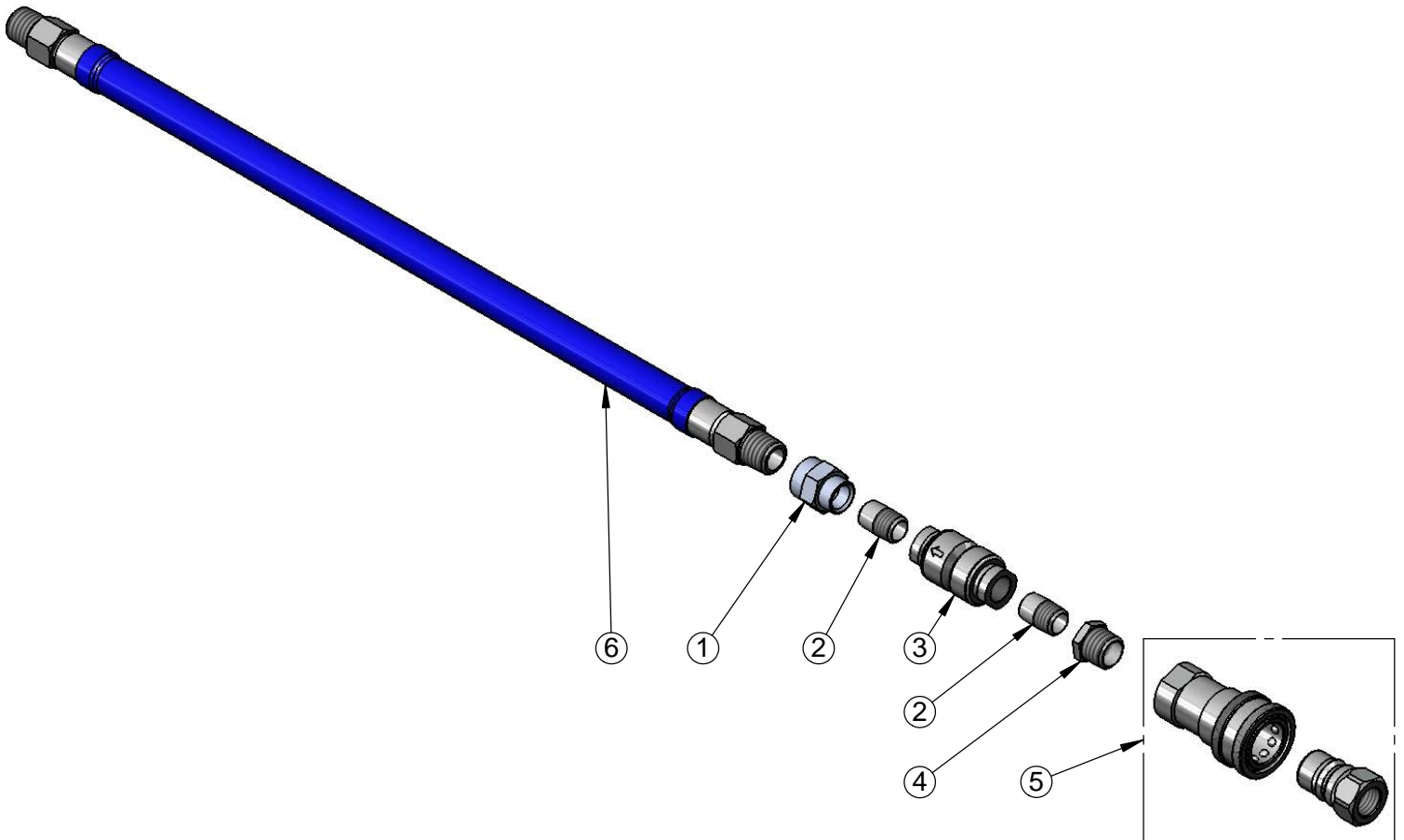
T&S BRASS AND BRONZE WORKS, INC.
 2 Saddleback Cove / P.O. Box 1088
 Travelers Rest, SC 29690

Model No.
HW-4C-48VB

Item No.

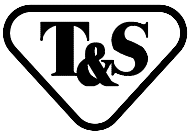
Travelers Rest, SC: 800-476-4103 • Simi Valley, CA: 800-423-0150 • Fax: 864-834-3518 • www.tsbrass.com

ITEM NO.	SALES NO.	DESCRIPTION
1	001995-25	1/2" NPT x 3/8" NPT Adapter
2	002535-25	3/8" Close Nipple
3	B-0970-FE	3/8" NPT Vacuum Breaker
4	001359-40	Hex Bushing, 1/2" Male x 3/8" Female
5	AW-5C	Water Appliance Connector 1/2" NPT Stainless Steel Quick Disconnect Socket/Plug
6	HW-2C-48	1/2" NPT x 48" Water Hose



Product Specifications:
 1/2" NPT x 48" Water Hose w/ Quick Disconnect & Vacuum Breaker

Drawn DHL	Checked KJG	Approved JHB
Scale: NTS		Date: 07/17/13



T&S BRASS AND BRONZE WORKS, INC.

2 SADDLEBACK COVE / P.O. BOX 1088 / TRAVELERS REST, SC 29690

PHONE 800-476-4103

FAX 864-834-3518



REG.#A2601
ISO #9002

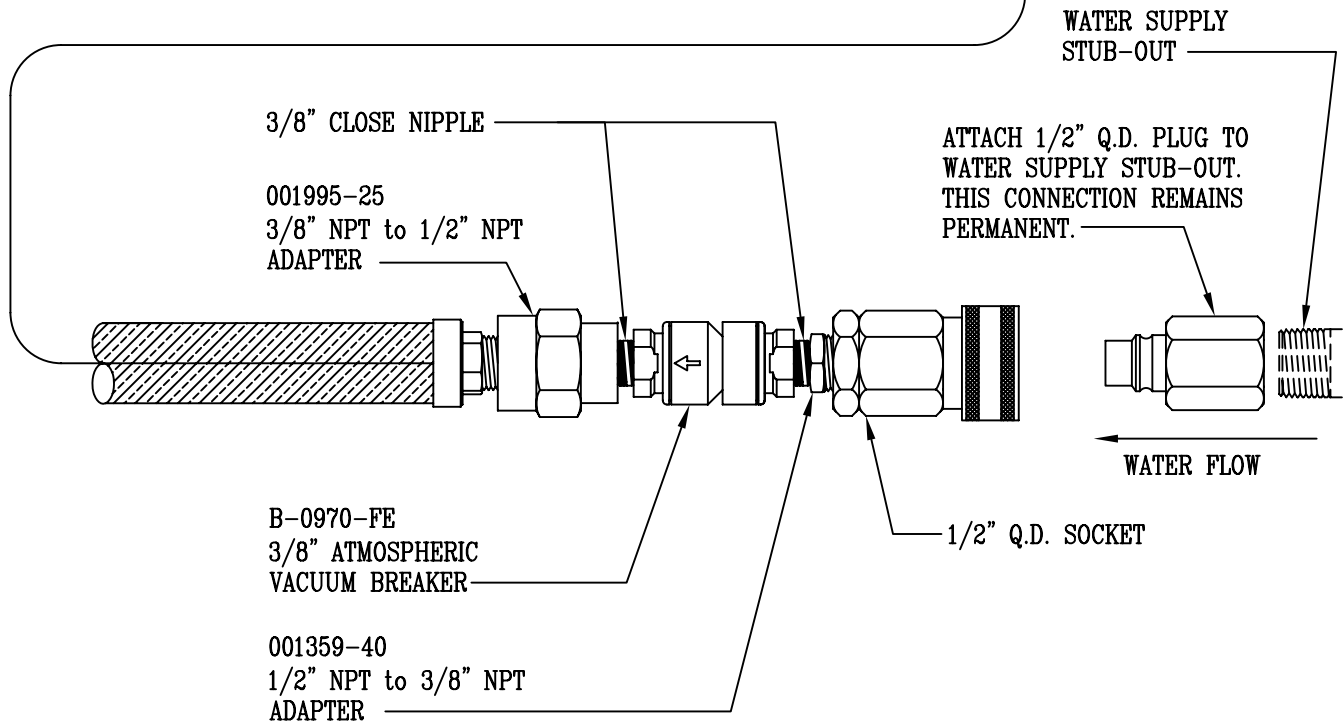
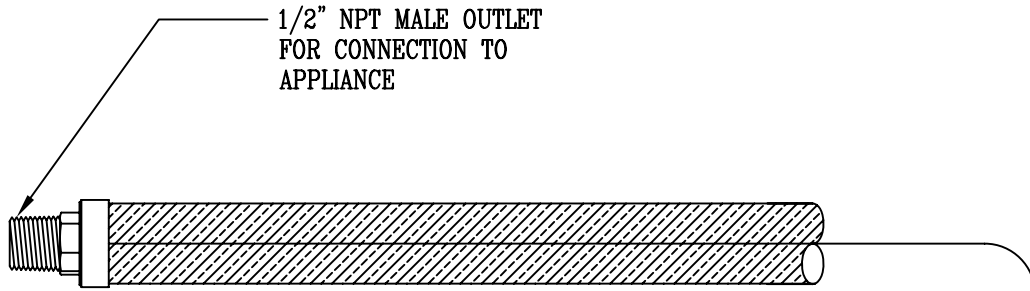
Model No.

HW-4C-72VB

Item No.:

Job Name:

Architect/Engineer Approval:



Product Description:

72" WATER HOSE w/ 1/2" QUICK DISCONNECT &
VACUUM BREAKER

Drawn:

KJG

Checked

JRM

Scale:

1 : 2

Approved

JHB

Date:

10/13/08