



T&S BRASS AND BRONZE WORKS, INC.
 2 SADDLEBACK COVE / P.O. BOX 1088 / TRAVELERS REST, SC 29690
 PHONE 800-476-4103 FAX 864- 834-3518

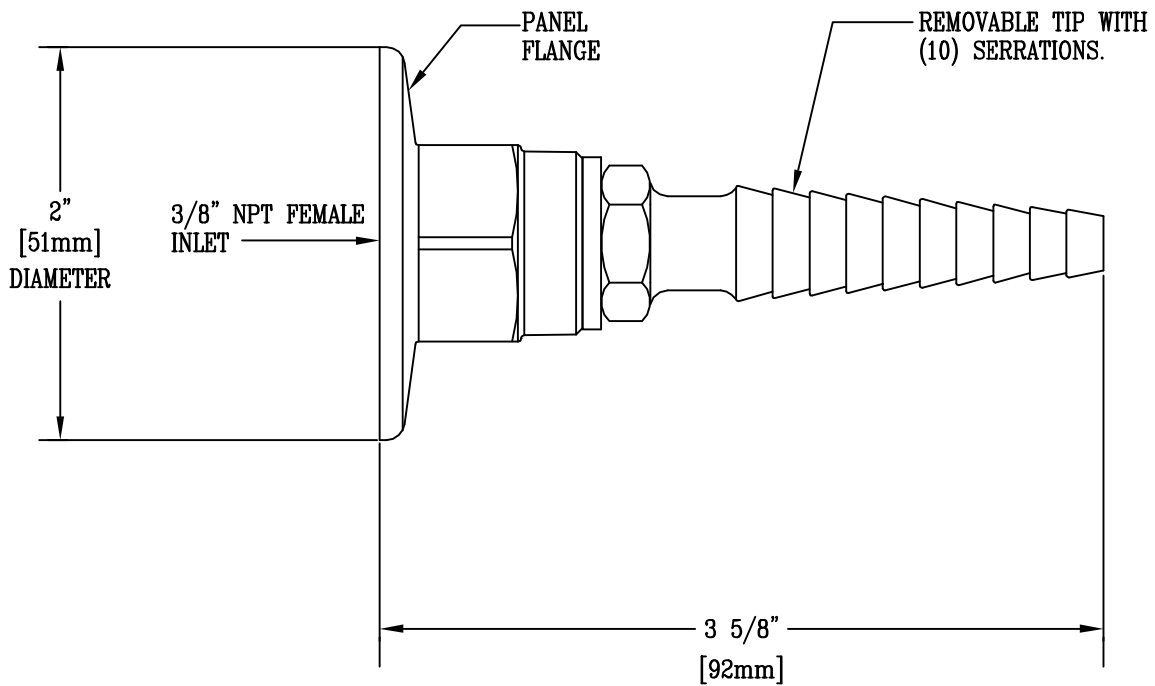


Model No.
 BL-4750-05
 Item No.:

Job Name:

Architect/Engineer Approval:

Notes:



Product Description:

LABORATORY PANEL FLANGE WITH
 STRAIGHT SERRATED TIP,
 & 3/8" NPT FEMALE INLET

Drawn:

WJS

Checked

ARY

Scale:

1' = 1'

Approved

CA

Date:

10/26/95



T&S BRASS AND BRONZE WORKS, INC.
 2 SADDLEBACK COVE / P.O. BOX 1088 / TRAVELERS REST, SC 29690
 PHONE 800-476-4103 FAX 864- 834-3518



Model No.

BL-4750-06

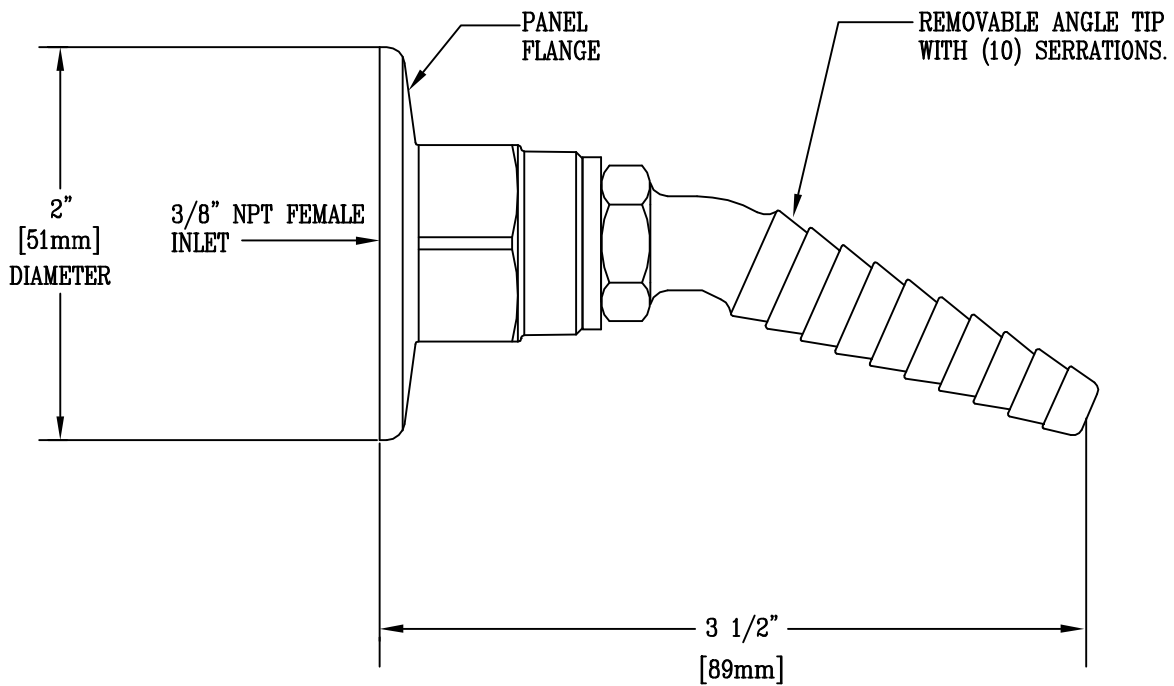
Item No.:

REG.#A2601
 ISO #9002

Job Name:

Architect/Engineer Approval:

Notes:



Product Description:

LABORATORY PANEL FLANGE WITH
 ANGLE SERRATED TIP,
 & 3/8" NPT FEMALE INLET

Drawn:

WJS

Checked

ARY

Scale:

1' = 1'

Approved

CA

Date:

10/26/95