

# T&S BRASS AND BRONZE WORKS, INC.

2 SADDLEBACK COVE / P.O. BOX 1088 / TRAVELERS REST, SC 29690

PHONE 800-476-4103 - FAX 864- 834-3518

Model No.

B-2294

**RELIABILITY  
BUILT IN**

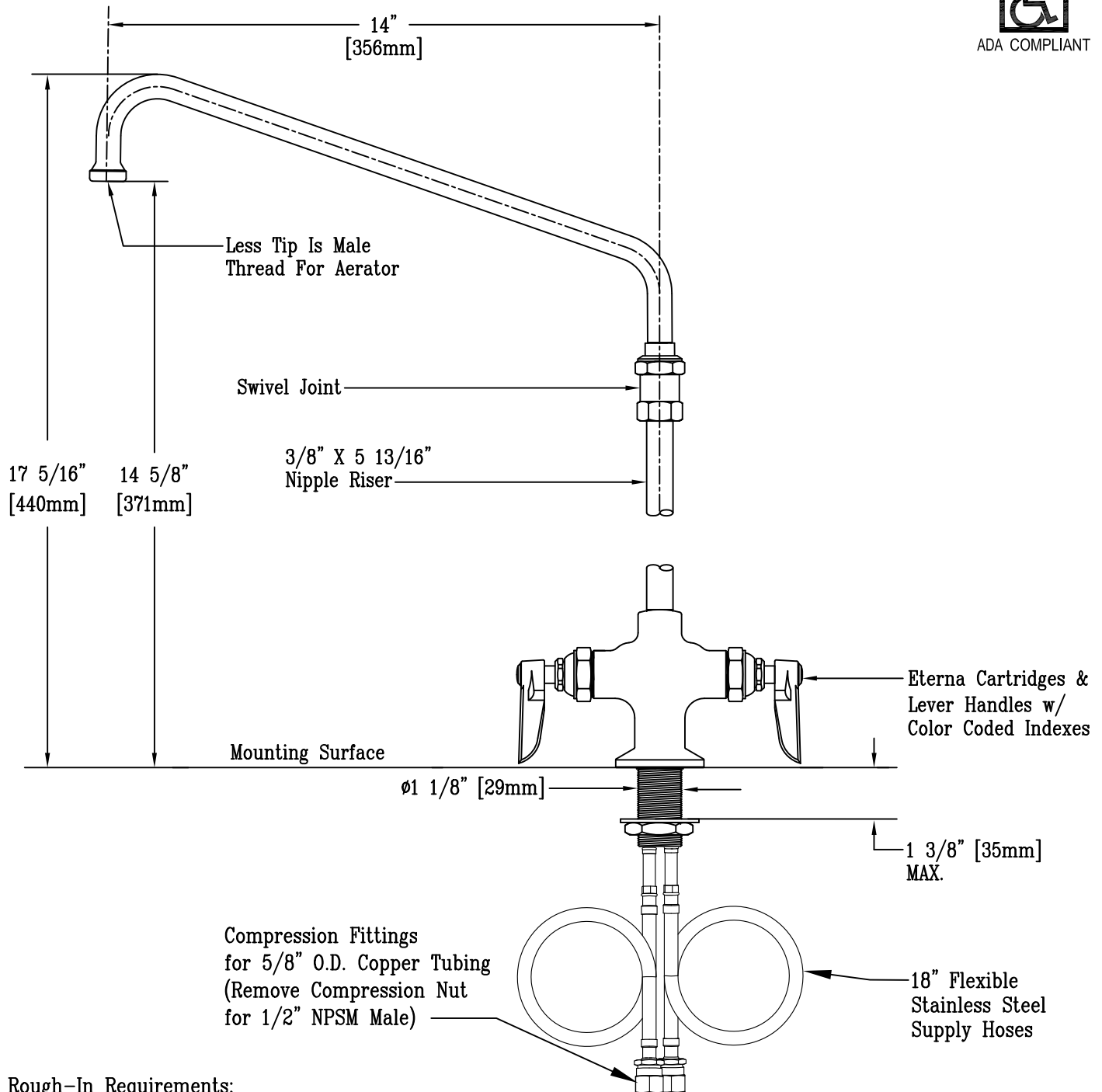
Job Name:

Architect/Engineer Approval:

Notes:



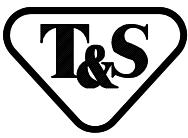
ADA COMPLIANT



**Rough-In Requirements:**  
 $\phi 1 \frac{1}{2}$ " [38mm] Mounting Hole

Product Description:  
Double Pantry Faucet, Eterna Cartridges, Lever Handles,  
Elevated 14" Swing Nozzle & 18" Flexible Stainless Steel  
Supply Hoses w/ 1/2" NPT Male Inlets

Drawn:	Checked:	Scale:
JRM	DHL	1:4
Approved:	Date:	
JHB	01/09/15	



# T&S BRASS AND BRONZE WORKS, INC.

2 SADDLEBACK COVE / P.O. BOX 1088 / TRAVELERS REST, SC 29690

PHONE 800-476-4103 - FAX 864- 834-3518

Model No.

B-2294-CR

**RELIABILITY  
BUILT IN**

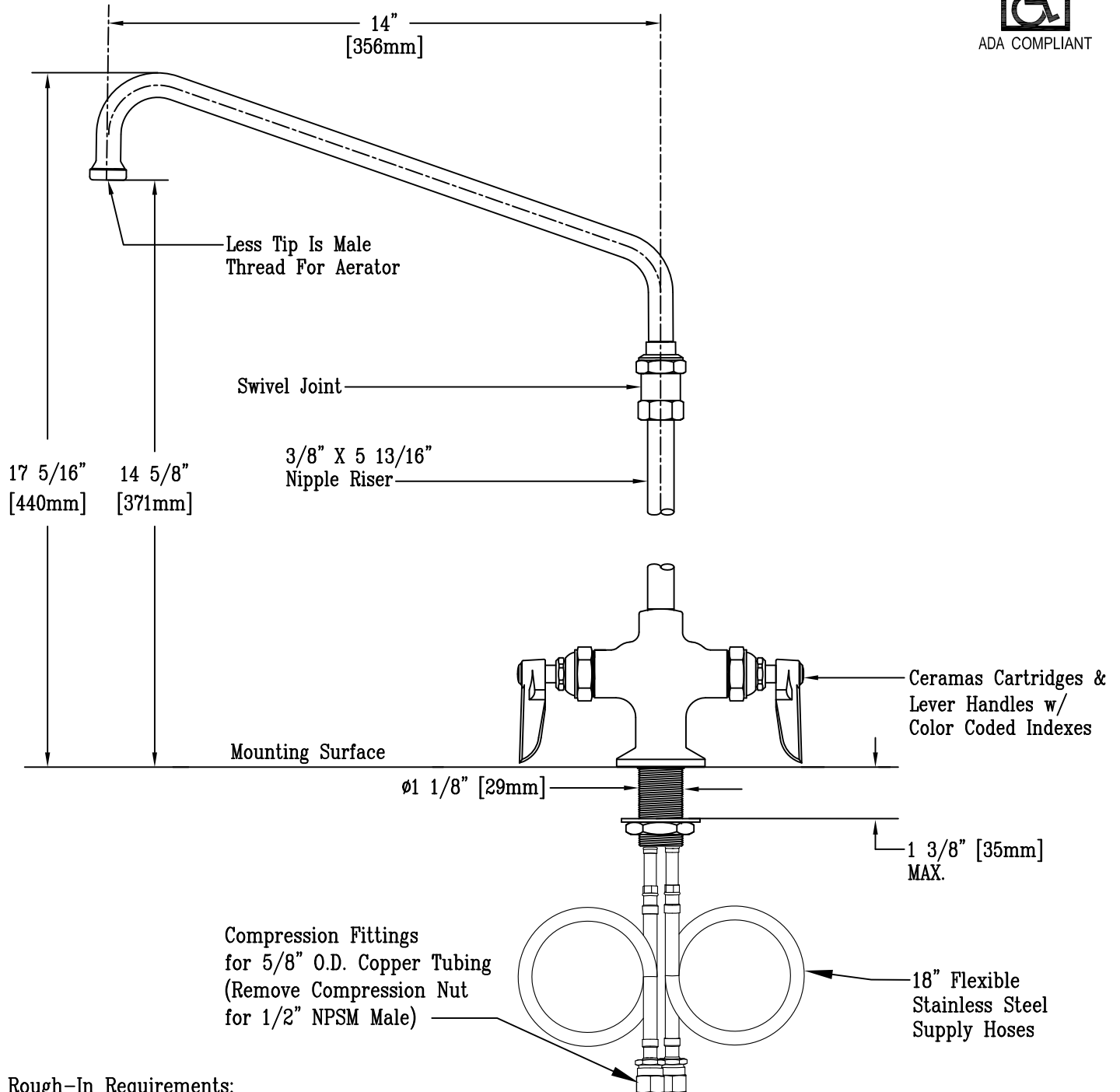
Job Name:

Architect/Engineer Approval:

Notes:



ADA COMPLIANT



**Rough-In Requirements:**  
 $\phi 1 \frac{1}{2}" [38mm]$  Mounting Hole

Product Description:  
Double Pantry Faucet, Cerama Cartridges, Lever Handles,  
Elevated 14" Swing Nozzle & 18" Flexible Stainless Steel  
Supply Hoses w/ 1/2" NPT Male Inlets

Drawn:	Checked	Scale:
JRM	DHL	1:4
Approved	Date:	
JHB	01/09/15	