



Installation and Maintenance Instructions

Limited One Year Warranty

T&S warrants to the original purchaser (other than for purposes of resale) that such product is free from defects in material and workmanship for a period of one (1) year from the date of purchase. During this one-year warranty period, if the product is found to be defective, T&S shall, at its options, repair and/or replace it. To obtain warranty service, products must be returned to...

*T&S Brass and Bronze Works, Inc.
Attn: Warranty Repair Department
2 Saddleback Cove
Travelers Rest, SC 29690*

Shipping, freight, insurance, and other transportation charges of the product to T&S and the return of repaired or replaced product to the purchaser are the responsibility of the purchaser. Repair and/or replacement shall be made within a reasonable time after receipt by T&S of the returned product. This warranty does not cover items which have received secondary finishing or have been altered or modified after purchase, or for defects caused by physical abuse to or misuse of the product, or shipment of the products.

Any express warranty not provided herein, and any remedy for Breach of Contract which might arise, is hereby excluded and disclaimed. Any implied warranties of merchantability or fitness for a particular purpose are limited to one year in duration. Under no circumstances shall T&S be liable for loss of use or any special consequential costs, expenses or damages.

Some states do not allow limitations on how long and implied warranty lasts or the exclusion or limitation of incidental or consequential damages, so the above limitations or exclusions may not apply to you. Specific rights under this warranty and other rights vary from state to state.

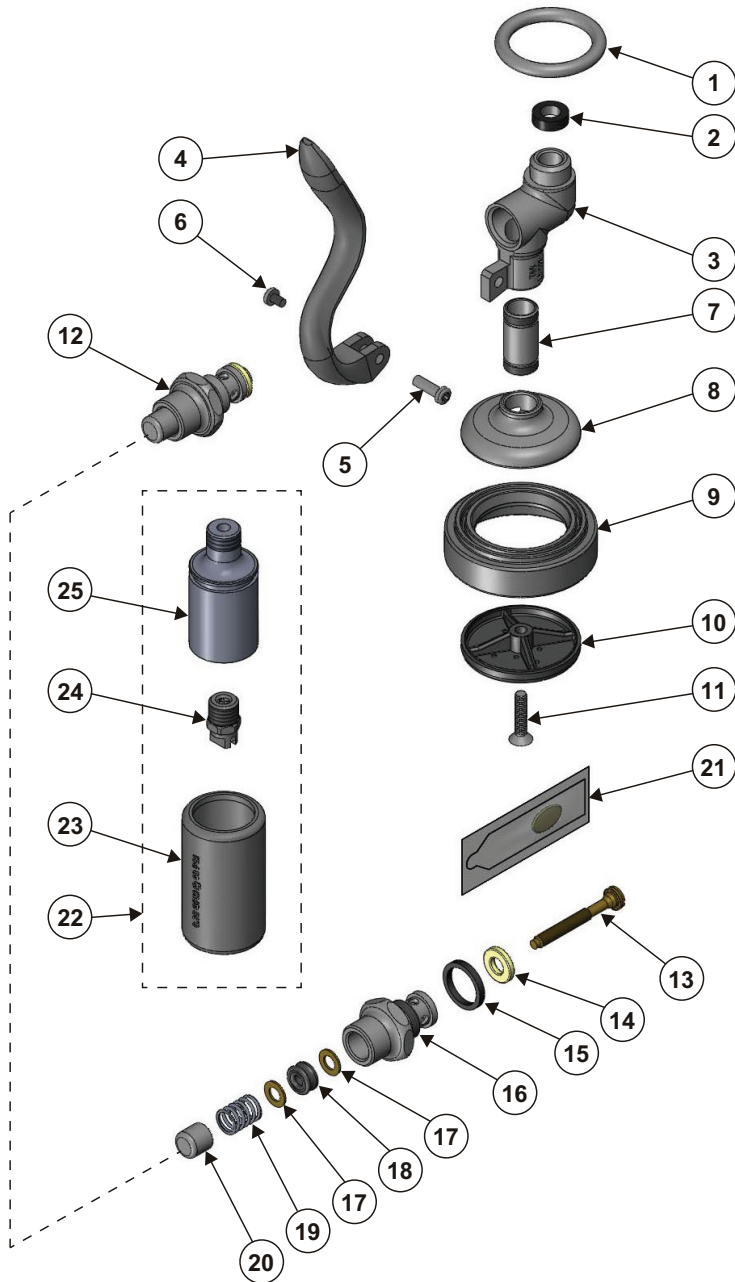
P/N: 098-011027-45 Rev.9
Date: 03-22-12
Drawn: TEH
Checked: JRM 03-26-12
Approved: JHB 03-27-12



Pre-Rinse Spray Valve

- | | |
|-----------------|------------------|
| B-0107 | UK-0107 |
| B-0107-C | UK-10K |
| B-0107-J | EB-0107 |
| B-10K | EB-0107-C |
| B-10K-C | EB-0107-J |
| B-10K-J | EB-10K |
| | EB-10K-C |
| | EB-10K-J |

Exploded View



Grey Part Number Guide

PARTS KIT

PARTS FOR ANY GREY T&S SPRAY VALVE

1,2,3	1	Ring, Hold Down	000907-45
	2	#27 Washer	010476-45
	3	Body, Spray Valve	000065-40
	4	Grey Handle	001120-45
	5	Nut, Handle	003198-45
	6	Screw, Handle	003199-45

PARTS FOR ANY GREY BONNET ASSEMBLY

1,2,3	12	Bonnet Assembly	002856-40
	13	Stem	009306-20
1,2,3	14	Washer, Seat	012915-45
1,2,3	15	Washer, Bonnet Binding	001040-45
1,2,3	16	Bonnet	000608-25
	17	Washer, Bonnet Brass	000974-45
1,2,3	18	Stem, Packing	001100-45
1,2,3	19	Spring, Bonnet	000895-45
1,2,3	20	Push Button	000753-25
	21	Grease Pack	012665-45

GREY SPRAY VALVES

B-0107 (1.42 GPM)			
1	7	Nipple	000694-40
	8	Cup, Spray	000019-40
	9	Ring, Sprayhead	007861-45
	10	1.42 GPM Sprayface	001121-45
1	11	Screw, Sprayface	000913-45
B-0107-C (0.65 GPM)			
2	22	Assembly, B-0107C Spray Nozzle	002662-40
	23	0.65 GPM Grey Shield (No Outline Around Lettering)	002659-45
	24	0.65 GPM Spray Nozzle (0.65 Stamped on Face)	N/A
B-0107-J (1.07 GPM)			
3	22	Assembly, B-0107-J Spray Nozzle	N/A
	23	1.07 GPM Grey Shield (Square Outline)	018292-45
	24	1.07 GPM Spray Nozzle (1.07 Stamped on Face)	N/A
	25	Nozzle Holder	N/A

#1 Parts included in B-10K

#2 Parts included in B-10K-C

#3 Parts included in B-10K-J

Blue Part Number Guide

PARTS KIT

PARTS FOR ANY BLUE T&S SPRAY VALVE

4,5,6,7	1	Ring, Hold Down	000907-45
	2	#27 Washer	010476-45
	3	Body, Spray Valve	000065-40
	4	Blue Handle	011454-45
	5	Nut, Handle	003198-45
	6	Screw, Handle	003199-45

PARTS FOR ANY BLUE BONNET ASSEMBLY

4,5,6,7	12	Bonnet Assembly	010594-40
	13	Stem	009306-20
	14	Washer, Seat	010563-45
	15	Washer, Bonnet Binding	010565-45
	16	Bonnet	000608-25
	17	Washer, Bonnet Brass	000974-45
	18	Quad Seal	014615-45
	19	Spring, Bonnet	000895-45
	20	Push Button	000753-25
	21	Grease Pack	010573-45

BLUE SPRAY VALVES

EB-0107 & UK-0107 Only			
4,7	7	Nipple	000694-40
	8	Cup, Spray	000019-40
	9	Ring, Sprayhead	011475-45
	11	Screw, Sprayface	000913-45
4	10	4-6 GPM Sprayface (No Wording on Face)	011456-45
	10	1.42 GPM Sprayface (Flow Rate on Face)	017288-45
5	22	Assembly, EB-0107C Spray Nozzle	N/A
	23	0.65 GPM Blue Shield (No Outline Around Lettering)	011499-45
	24	0.65 GPM Spray Nozzle (0.65 Stamped on Face)	N/A
	24	0.65 GPM Spray Nozzle (0.65 Stamped on Face)	N/A
6	22	Assembly, EB-0107-J Spray Nozzle	N/A
	23	1.07 GPM Blue Shield (Square Outline)	018293-45
	24	1.07 GPM Spray Nozzle (1.07 Stamped on Face)	N/A
	24	1.07 GPM Spray Nozzle (1.07 Stamped on Face)	N/A
	25	Nozzle Holder	N/A

#4 Parts included in EB-10K

#5 Parts included in EB-10K-C

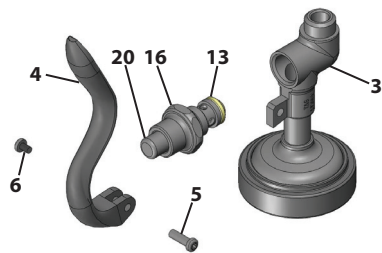
#6 Parts included in EB-10K-J

#7 Parts included in UK-10K

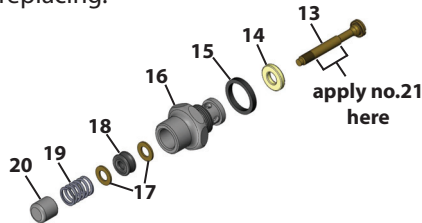
General Instructions

To replace worn parts:

1. Shut off water supply and drain lines. For ease of disassembly and reassembly, the *handle grip* can be removed from no.3.
2. Unscrew no.5 and no.6 to remove no.4. Unscrew and remove no.16 from no.3.
3. Hold no.20 with pliers in one hand, and with screwdriver, carefully unscrew no.13 from no.16.



4. Apply no.21 over smooth portion of no.13. Replace no.14, no.15, no.17, no.18 & no.19 with new parts. Dab no.21 onto valve side of no.19 before replacing.



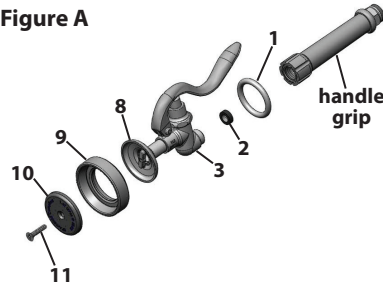
5. Reassemble no.16 by inserting no.13 through all parts. Hold no.20 with pliers, and carefully screw no.13 into no.20 until screw feels tight. Do not use excessive force.
6. Reinsert no.16 in no.3 and tighten securely.
7. Reassemble no.4, no.5 and no.6 on no.3.

8. **For EB-0107/UK-0107 & B-0107 ONLY:** To replace no.9, unscrew no.11 and disassemble. Make sure the groove side of no.9 fits over no.8, and no.10 rest on ridge side. See Figure A.

9. To replace no.2, unscrew handle grip from no.3 and replace with new no.2.

10. Reassemble; turn on water check for leaks.

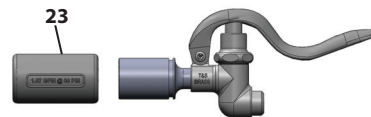
Figure A



11. **For EB-0107-C, EB-0107-J, B-0107-C & B-0107-J ONLY:** To replace no.23, slide no.23 off no.25, and slide a new no.23 back onto no.25. No.23 will snap into groove on no.25. See Figure B.

* **Verify the flow rate on no.23 matches spray tip inside no.25.**

Figure B



Caution: Turn off water supply at base faucet when not in use.

RELATED T&S BRASS PRODUCT LINE



**B-0108
JeTSpray
Spray Valve**



**B-0108-C
JeTSpray
Low Flow
Spray Valve**

T&S BRASS AND BRONZE WORKS, INC.

A firm commitment to application-engineered plumbing products

2 Saddleback Cove, P.O. Box 1088,
Travelers Rest, SC 29690

Phone: (864) 834-4102
Fax: (864) 834-3518

E-mail: tsbrass@tsbrass.com

T & S Brass-Europe
'De Veenhoeve'
Oude Nieuwveenseweg 84
2441 CW Nieuwveen

The Netherlands



RELIABILITY BUILT IN™



Installation and Maintenance Instructions

Limited One Year Warranty

T&S warrants to the original purchaser (other than for purposes of resale) that such product is free from defects in material and workmanship for a period of one (1) year from the date of purchase. During this one-year warranty period, if the product is found to be defective, T&S shall, at its options, repair and/or replace it. To obtain warranty service, products must be returned to...

*T&S Brass and Bronze Works, Inc.
Attn: Warranty Repair Department
2 Saddleback Cove
Travelers Rest, SC 29690*

Shipping, freight, insurance, and other transportation charges of the product to T&S and the return of repaired or replaced product to the purchaser are the responsibility of the purchaser. Repair and/or replacement shall be made within a reasonable time after receipt by T&S of the returned product. This warranty does not cover items which have received secondary finishing or have been altered or modified after purchase, or for defects caused by physical abuse to or misuse of the product, or shipment of the products.

Any express warranty not provided herein, and any remedy for Breach of Contract which might arise, is hereby excluded and disclaimed. Any implied warranties of merchantability or fitness for a particular purpose are limited to one year in duration. Under no circumstances shall T&S be liable for loss of use or any special consequential costs, expenses or damages.

Some states do not allow limitations on how long and implied warranty lasts or the exclusion or limitation of incidental or consequential damages, so the above limitations or exclusions may not apply to you. Specific rights under this warranty and other rights vary from state to state.

P/N: 098-003120-45 Rev.3

Date: 09-11-14

Drawn: TEH

Checked: JRM 09-12-14

Approved: JHB 09-19-14



PRE-RINSE UNIT

B-2250

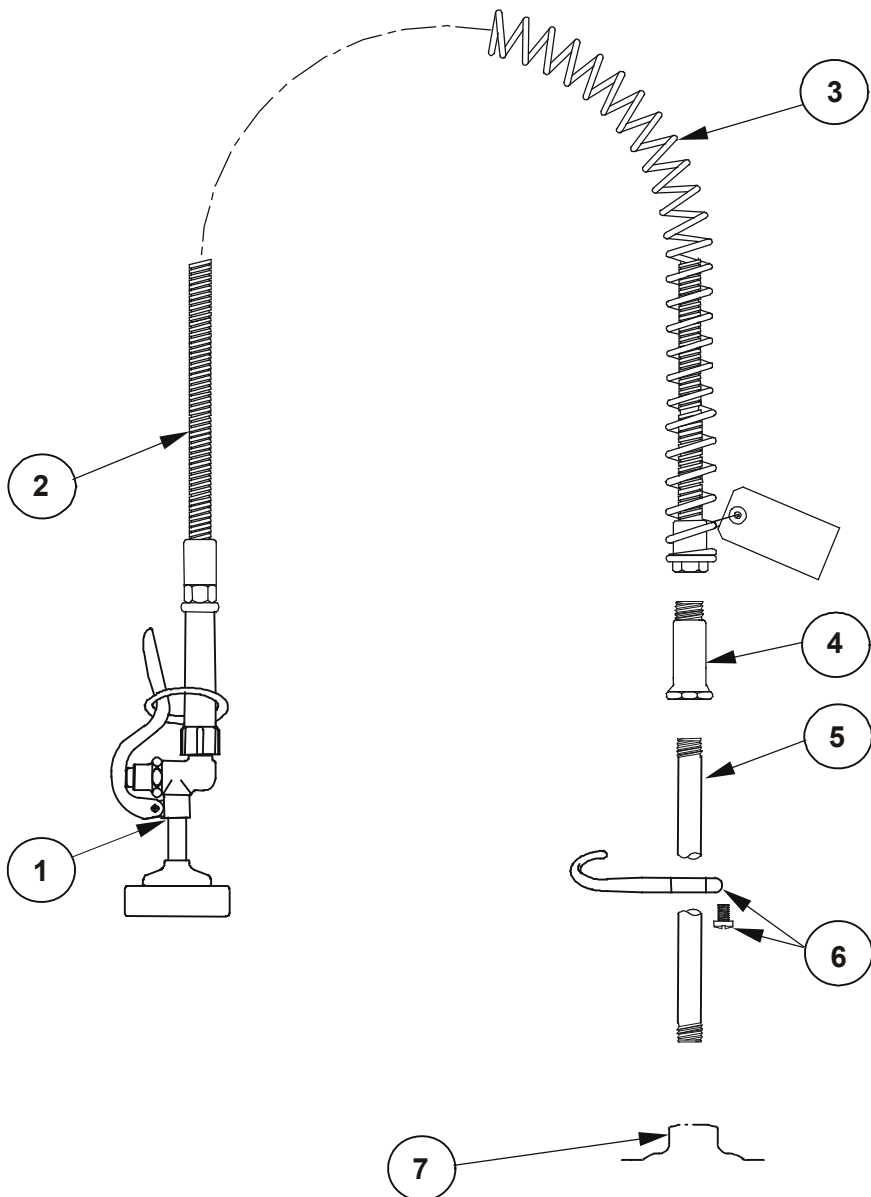
(Retrofit for Pre-Rinse Units)

Deutsch: Installations- und
Wartungsanleitungen

Español: la Instalación y las
Instrucciones de
Mantenimiento

Français: les Instructions
d'Installation et
d'Entretien

Exploded View



* Some items are listed for instructional purposes and may not be sold as separate parts.

Part Number Guide

Pre-Rinse Unit

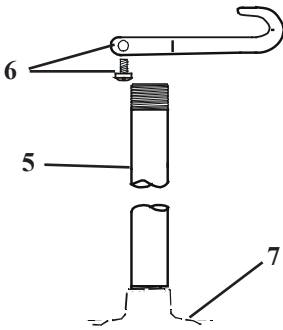
1	Assembly, Spray Valve	B-0107
2	Assembly, Flex Stainless Steel Hose	B-0044-H
3	Spring, Overhead	000888-45
4	Spring, Body	000821-40
5	Nipple, 3/8" x 24"	000372-40
6	Assembly, Finger Hook & Screw	004R
7	Assembly, Base Faucet 'B-0111'	002824-40

General Instructions

Installation:

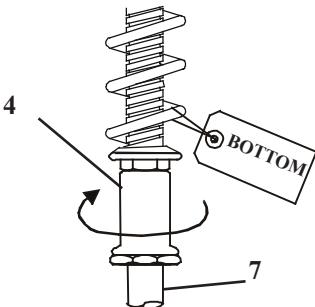
See separate instructions for installing no.7 into deck.

1. Shut off water supply and drain lines. Apply teflon tape or pipe joint compound to threads on both ends of no.5. Screw no.5 into no.7 and hand tighten.
2. Slide no.6 down no.5 (about half-way) and tighten temporarily.

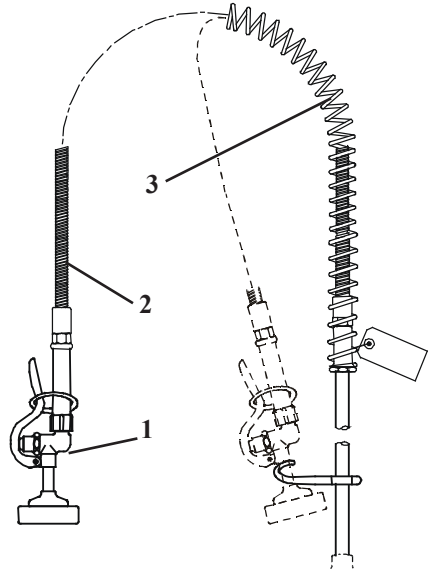


3. Screw no.4 down on no.5 and hand tighten, then tighten no.4 with a wrench, which will also tighten no.5. Make sure to align no.3 with no.2 over center of sink, directly in front of no.5 while tightening.

Note: If new no.3 is being installed on no.2, make sure it's installed in the upright position.



4. Adjust position of no.6 so that no.1 hangs loosely in it without straining no.2 or no.3.



5. Turn on water supply and check for leaks.

See back pages for similar unit installations.

Caution: Turn off water supply at base faucet when not in use.

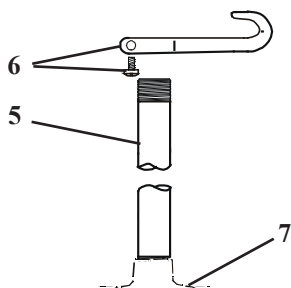
Instrucciones Generales

Instalación:

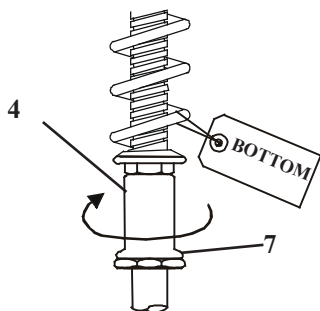
Mire las instrucciones para la instalación de la parte No.7 dentro del mostrador.

1. Cierre la fuente principal de agua y desagüe las tuberías. Aplique cintas para roscas de tuberías o compuesta de coyuntura a los dos extremos de la parte No.5. Atornille la parte No.5 dentro de la parte No.7 y aprete con una llave.

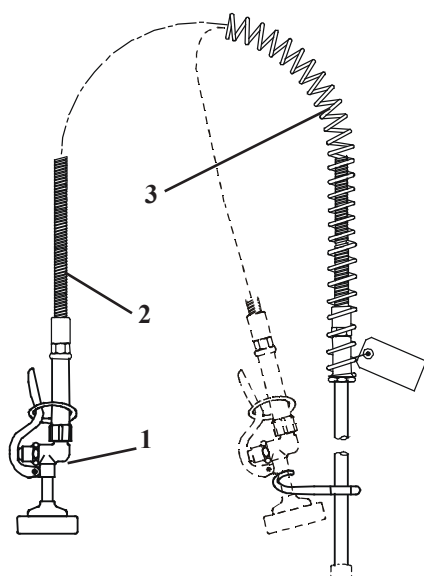
2. Deslice la parte No.6 (aproximadamente a medio trayecto) en la parte No.5 y apretarlo temporariamente.



3. Atornille la parte No.4 sobre la parte No.5 y aprétela con la mano asegurándose que alinee la parte No.3 con la parte No.2 sobre el centro del lavatorio, directamente en frente de la parte No.5. Apretar la parte No.4 con una llave; esto también apretará la parte No.5.



Nota: Si la parte No.3 nueva se esta instalando en la parte No.2, asegurese que esté instalada al derecho.



4. Ajuste la posición de la parte No.6 debido que la parte No.1 cuelgue flojamente dentro de ella sin esforzar la parte No.2 ó No.3.

5. Abra la fuente de agua e inspeccione por filtraciones.

Vea páginas de espalda para instalaciones de unidades similares.

Precaution: Cuando no esta en uso, cierre la canilla desde la base.

Instructions Générales

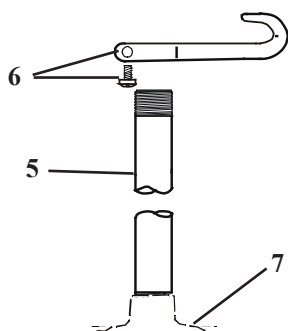
L'Installation De L'Élément

Pre-Rinçage:

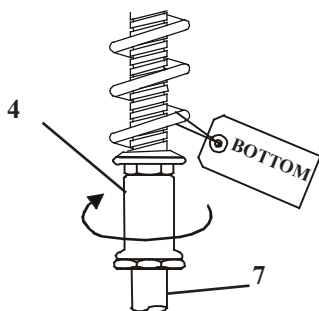
Consulte las instrucciones específicas para la instalación de N°.7 en la platina.

1. Fermer la réserve de l'eau et égoutter la tuyauterie. Appliquer le ruban en Téfalon ou le composé pour les tuyaux a chaque extrémité de N°.5. Visser N°.5 dans N°.7 et resserrer par le main.

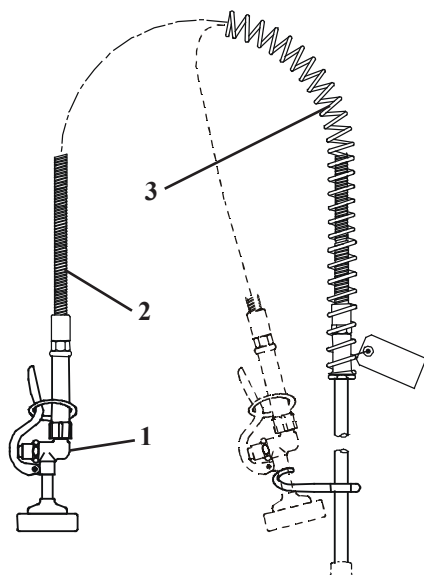
2. Faire glisser N°.6 à mi-chemin N°.5 et resserrer temporairement.



3. Vissez N°.4 sur N°.5 et resserrer par le main, puis resserrer N°.4 avec une clef; ce processus aller resserrer N°.5 aussi. Soyez certain d'aliger N°.3 avec N°.2 au centre de l'évriër, directement en face de N°.5 en resserrant.



Noter: Si vous installer un N°.3 nouveau sur N°.2, soyez certain de l'installer dans une position verticale.



4. Ajuster la position de N°.6 pour permettre N°.1 à pendre sans serrer et sans excercer une contrainte sur N°.2 ou N°.3.

5. Recommencer l'eau et vérifier s'il y a des fuites.

Voir le verso pour les installations des éléments similaires.

Avertissement: Arrêter l'eau au robinet quand on ne l'utiliser pas.

Allgemeine Anleitungen

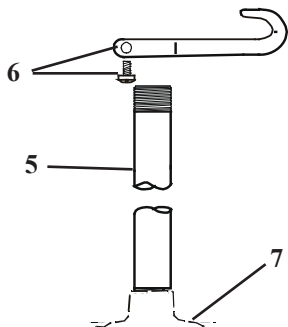
Installation:

Nr. 7 gemäß Anleitungen auf die Abdeckplatte montieren.

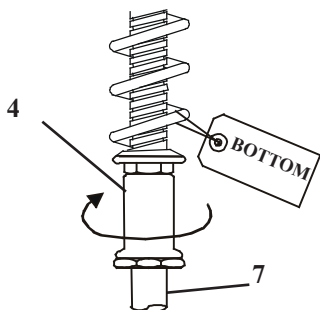
1. Wasser absperrn und Wasserleitungen entleeren.

Teflonband oder Rohrkitt an beiden Seiten des Gewindes von Nr. 5 anbringen. Nr. 5 in Nr. 7 einschrauben und mit Schraubenschlüssel festdrehen.

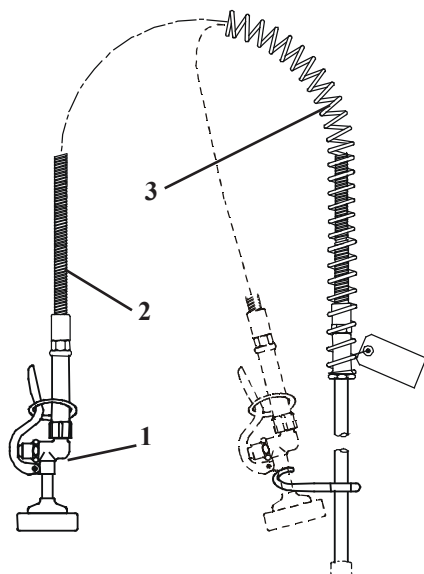
2. Nr. 6 in Nr. 5 einführen (ungefähr zur Hälfte) und vorübergehend festdrehen.



3. Nr. 4 auf Nr. 5 schrauben und mit der Hand festdrehen, dann Nr. 4 mit einem Schraubenschlüssel festdrehen, wodurch Nr. 5 auch festgedreht wird. Sicherstellen, daß beim Festdrehen Nr. 3 und Nr. 2 über der Mitte des Waschbeckens in einer Flucht direkt vor Nr. 5 ausgerichtet werden.



Anmerkung: Falls ein neues Nr. 3 auf Nr. 2 montiert wird, ist sicherstellen, daß Nr. 3 aufrecht installiert wird.



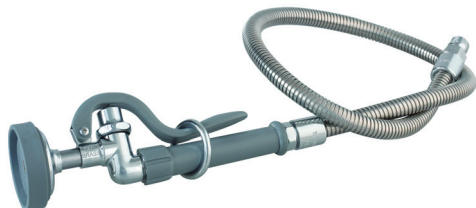
4. Position von Nr. 6 so justieren, daß Nr. 1 lose darin hängt, ohne daß Nr. 2 oder Nr. 3 stark beansprucht werden.

5. Wasser andrehen und auf Lecks prüfen.

Installationen für die Installation von ähnlichen Einheiten befinden sich im hinteren Teil dieser Broschüre.

Vorsicht: Wasser am Haupthahn abdrehen, wenn die Armatur nicht benutzt wird.

RELATED T&S BRASS PRODUCT LINE



**B-0100
PRE-RINSE UNIT
W/ FLEXIBLE
S-STEEL HOSE**



**B-10K
PARTS KIT**



**B-0106
PRE-RINSE UNIT
W/ BRUSH**

T&S BRASS AND BRONZE WORKS, INC.

A firm commitment to application-engineered plumbing products



RELIABILITY BUILT IN™

2 Saddleback Cove, P.O. Box 1088,
Travelers Rest, SC 29690

Phone: (864) 834-4102

Fax: (864) 834-3518

E-mail: tsbrass@tsbrass.com

T & S Brass-Europe

'De Veenhoeve'

Oude Nieuwveenseweg 84

2441 CW Nieuwveen

The Netherlands