



# T&S BRASS AND BRONZE WORKS, INC.

2 Saddleback Cove / P.O. Box 1088  
Travelers Rest, SC 29690

Model No.

**B-0305**

Item No.

Travelers Rest, SC: 800-476-4103 • Simi Valley, CA: 800-423-0150 • Fax: 864-834-3518 • www.tsbrass.com



**ADA Compliant**

This Space for Architect/Engineer Approval

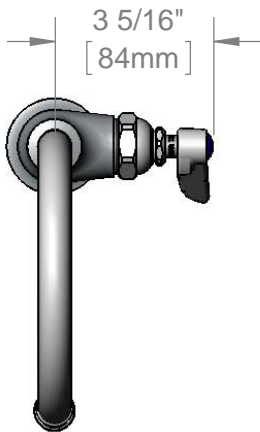
Job Name \_\_\_\_\_ Date \_\_\_\_\_

Model Specified \_\_\_\_\_ Quantity \_\_\_\_\_

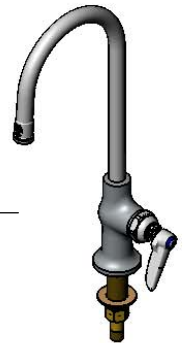
Customer/Wholesaler \_\_\_\_\_

Contractor \_\_\_\_\_

Architect/Engineer \_\_\_\_\_



3 5/16"  
[84mm]



120X  
5 1/2" Rigid Gooseneck  
w/ Stream Regulator  
Outlet

Eterna Cartridge  
& Lever Handle  
w/ Blue Color  
Coded Index

9 1/16"  
[230mm]

5 3/8"  
[137mm]

14 1/16"  
[358mm]

2 5/8"  
[67mm]

Mounting Surface

2 7/16"  
[62mm]

Ø 2"  
[51mm]  
Flange

150A  
Optional Tailpiece & Nut  
For 1/4" NPT Connection  
(Included)

1 5/8"  
[41mm]  
Maximum  
Thickness

1/2" NPSM  
Male Inlet

Rough-In Requirement:  
Ø 1" [25mm] Mounting Hole

Product Specifications:

Single Hole Single Temperature Deck Mount Faucet, Eterna Cartridge, Lever Handle, 5 1/2" Rigid Gooseneck w/ Stream Regulator Outlet & 1/2" NPSM Male Inlet

Product Compliance:

ASME A112.18.1 / CSA B125.1  
NSF 61 - Section 9  
NSF 372 (Low Lead Content)  
ANSI A117.1 (ADA)



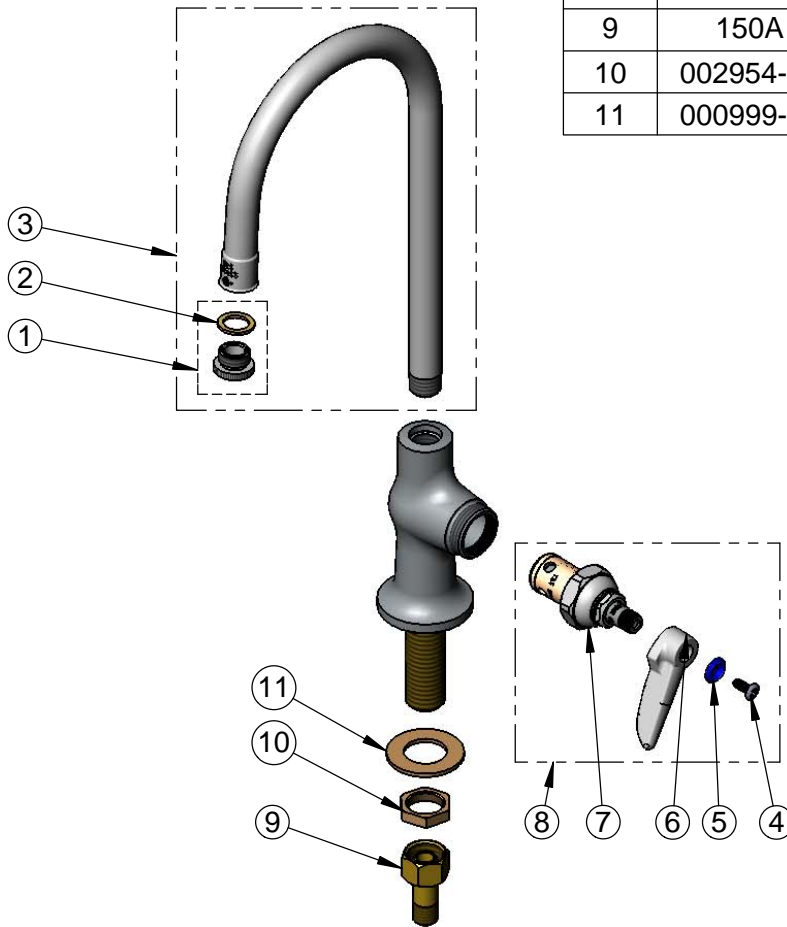
**T&S BRASS AND BRONZE WORKS, INC.**  
 2 Saddleback Cove / P.O. Box 1088  
 Travelers Rest, SC 29690

Model No.  
**B-0305**

Item No.

Travelers Rest, SC: 800-476-4103 • Simi Valley, CA: 800-423-0150 • Fax: 864-834-3518 • www.tsbrass.com

ITEM NO.	SALES NO.	DESCRIPTION
1	B-LT	Stream Regulator Outlet
2	001043-45	Washer
3	120X	5 1/2" Rigid Gooseneck
4	000922-45	Lever Handle Screw
5	001660-45	Blue Index-CW
6	001638-45	Lever Handle
7	005960-40	Eterna Cartridge, RTC
8	002714-40	Eterna Cartridge, RTC w/ Handle, Index & Screw
9	150A	1/4" NPT Tailpiece & Nut
10	002954-45	Shank Lock Nut
11	000999-45	Brass Lock Washer



**Product Specifications:**

Single Hole Single Temperature Deck Mount Faucet, Eterna Cartridge, Lever Handle, 5 1/2" Rigid Gooseneck w/ Stream Regulator Outlet & 1/2" NPSM Male Inlet

**Product Compliance:**

ASME A112.18.1 / CSA B125.1  
 NSF 61 - Section 9  
 NSF 372 (Low Lead Content)  
 ANSI A117.1 (ADA)



# T&S BRASS AND BRONZE WORKS, INC.

2 Saddleback Cove / P.O. Box 1088  
Travelers Rest, SC 29690

Model No.

**B-0305-CR**

Item No.

Travelers Rest, SC: 800-476-4103 • Simi Valley, CA: 800-423-0150 • Fax: 864-834-3518 • www.tsbrass.com

This Space for Architect/Engineer Approval

Job Name \_\_\_\_\_ Date \_\_\_\_\_

Model Specified \_\_\_\_\_ Quantity \_\_\_\_\_

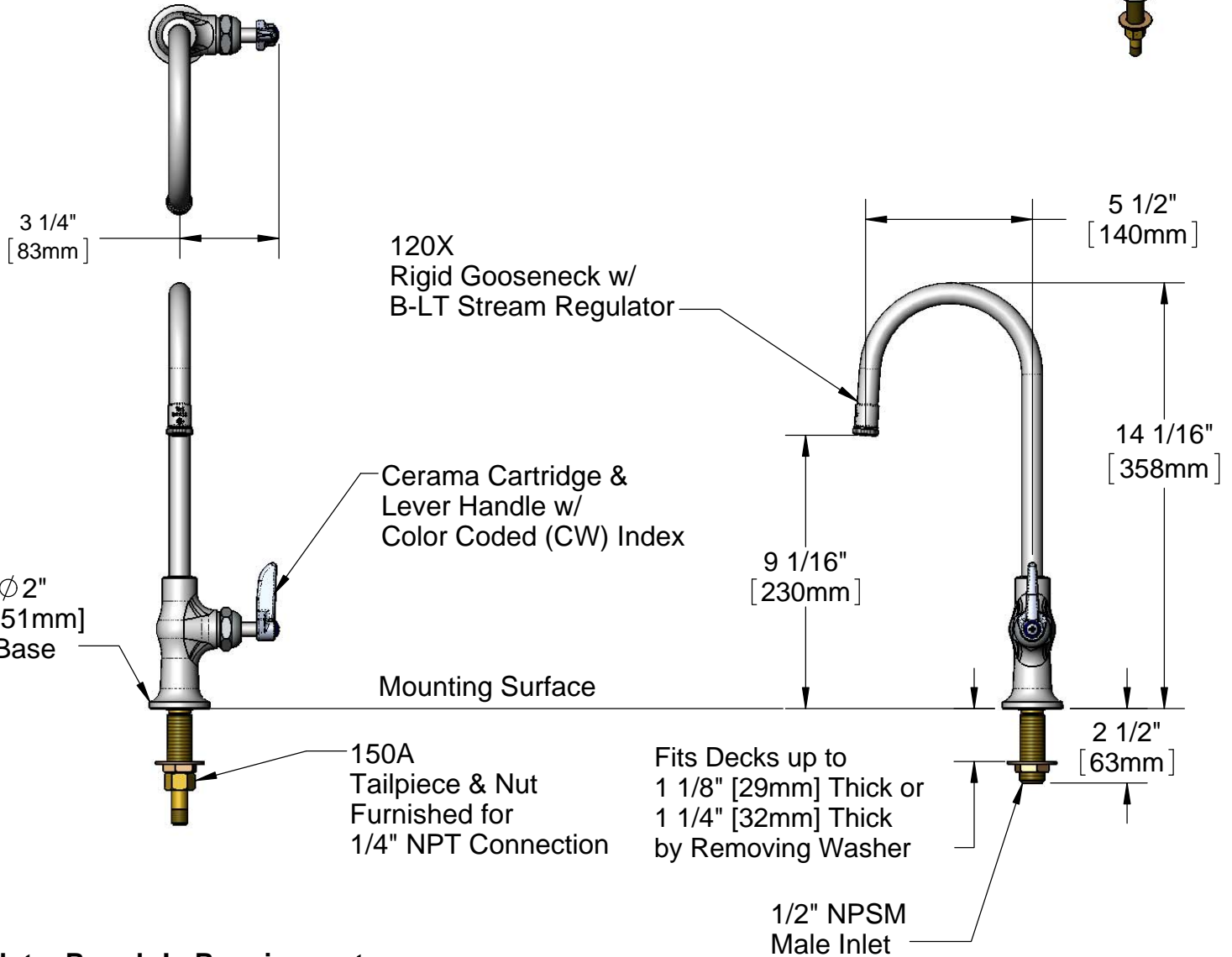
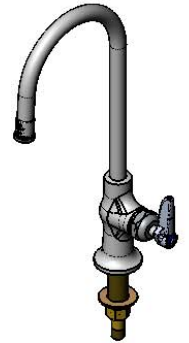
Customer/Wholesaler \_\_\_\_\_

Contractor \_\_\_\_\_

Architect/Engineer \_\_\_\_\_



**ADA Compliant**



### Note: Rough-In Requirement

Ø 1" [25mm] Mounting Hole

Product Specifications:

Single Temperature Deck Mount Faucet w/ Cerama Cartridge, Lever Handle, Rigid Gooseneck w/ Stream Regulator & Tailpiece

Drawn

**KJG**

Checked

**DHL**

Approved

**JHB**

Scale:

**3:16**

Date:

**03/27/12**



**T&S BRASS AND BRONZE WORKS, INC.**

2 Saddleback Cove / P.O. Box 1088  
Travelers Rest, SC 29690

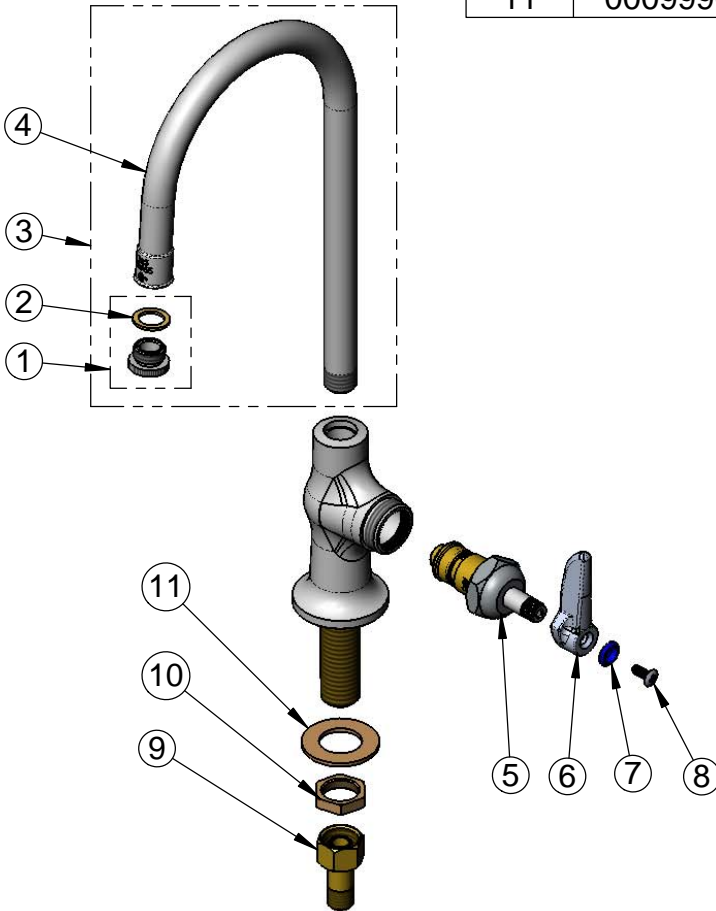
Model No.

**B-0305-CR**

Item No.

Travelers Rest, SC: 800-476-4103 • Simi Valley, CA: 800-423-0150 • Fax: 864-834-3518 • www.tsbrass.com

ITEM NO.	SALES NO.	DESCRIPTION
1	B-LT	Stream Regulator Outlet
2	001043-45	Washer
3	120X	Gooseneck w/ B-LT Stream Regulator
4	000398-40	Rigid Gooseneck
5	011278-25	Cerama Cartridge RTC
6	001638-45	Lever Handle
7	001660-45	Blue Index-CW
8	000922-45	Lever Handle Screw
9	150A	Bag of (1) Nut & (1) Tailpiece
10	002954-45	Shank Lock Nut
11	000999-45	Brass Lock Washer



Product Specifications:

Single Temperature Deck Mount Faucet w/ Cerama Cartridge, Lever Handle, Rigid Gooseneck w/ Stream Regulator & Tailpiece

Drawn

**KJG**

Checked

**DHL**

Approved

**JHB**

Scale:

**NTS**

Date:

**03/27/12**



# T&S BRASS AND BRONZE WORKS, INC.

2 Saddleback Cove / P.O. Box 1088  
Travelers Rest, SC 29690

Model No.

**B-0305-01**

Item No.

Travelers Rest, SC: 800-476-4103 • Simi Valley, CA: 800-423-0150 • Fax: 864-834-3518 • www.tsbrass.com



**ADA Compliant**

This Space for Architect/Engineer Approval

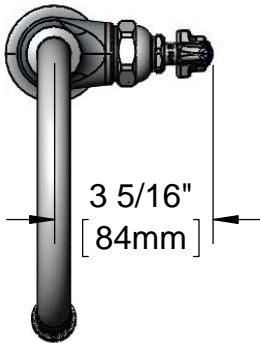
Job Name \_\_\_\_\_ Date \_\_\_\_\_

Model Specified \_\_\_\_\_ Quantity \_\_\_\_\_

Customer/Wholesaler \_\_\_\_\_

Contractor \_\_\_\_\_

Architect/Engineer \_\_\_\_\_



3 5/16"  
[84mm]



Rigid Gooseneck w/  
2.2 GPM Aerator

Eterna Cartridge &  
Lever Handle w/  
Color Coded Index

5 9/16"  
[141mm]

14 1/16"  
[358mm]

8 9/16"  
[217mm]

2 5/8"  
[67mm]

Mounting Surface

2 7/16"  
[62mm]

Ø 2" [51mm]  
Flange

1 5/8"  
[41mm]  
Maximum  
Thickness

1/2" NPSM  
Male Inlet

150A  
Optional Tailpiece & Nut  
For 1/4" NPT Connection  
(Included)

Rough-In Requirement:  
Ø 1" [25mm] Mounting Hole

**Product Specifications:**

Single Hole Single Temperature Deck Mount Faucet, Eterna Cartridge, Lever Handle, Rigid Gooseneck w/ 2.2 GPM Aerator & 1/2" NPSM Male Inlet

**Product Compliance:**

ASME A112.18.1 / CSA B125.1  
NSF 61 - Section 9  
NSF 372 (Low Lead Content)  
ANSI A117.1 (ADA)



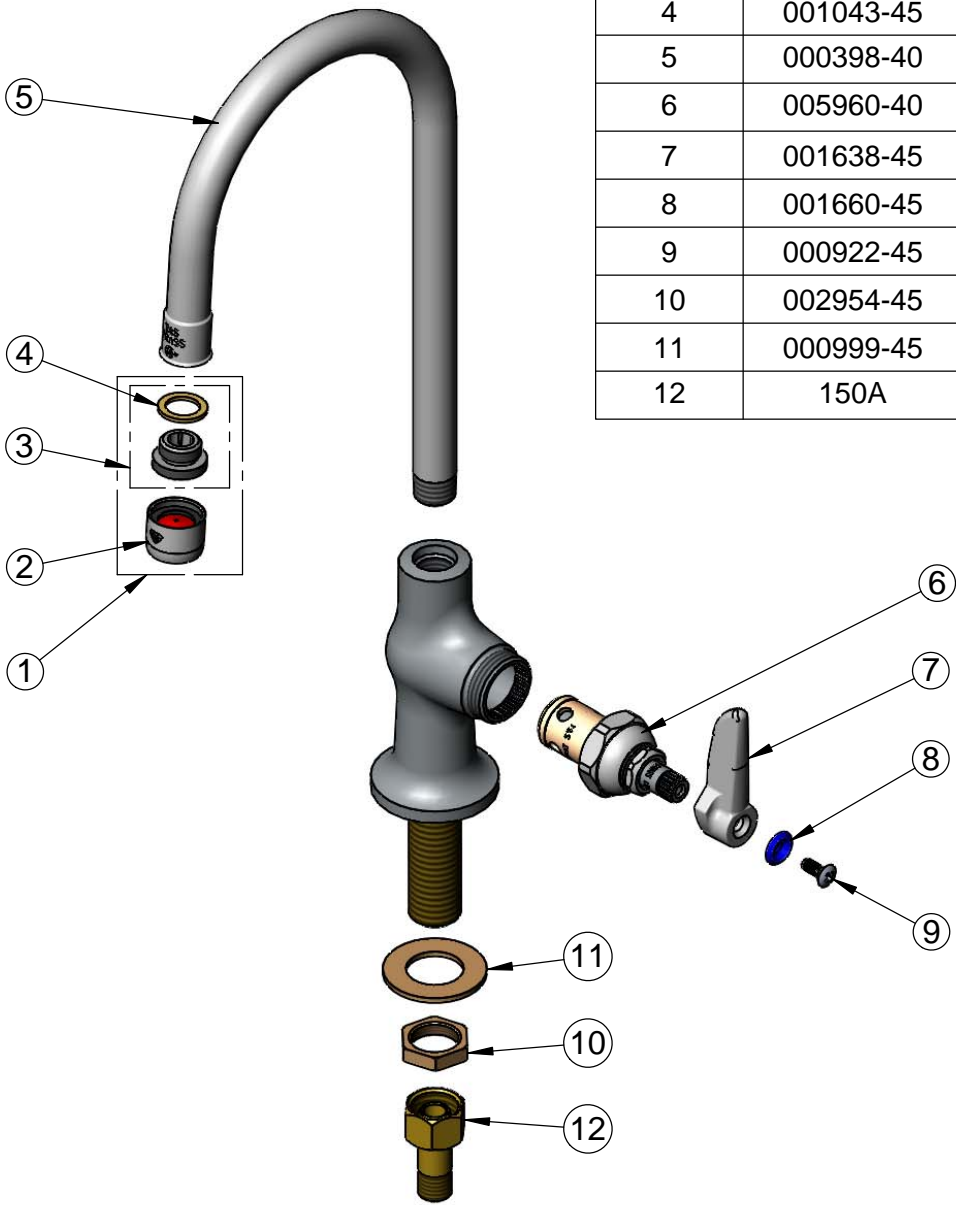
**T&S BRASS AND BRONZE WORKS, INC.**  
 2 Saddleback Cove / P.O. Box 1088  
 Travelers Rest, SC 29690

Model No.  
**B-0305-01**

Item No.

Travelers Rest, SC: 800-476-4103 • Simi Valley, CA: 800-423-0150 • Fax: 864-834-3518 • www.tsbrass.com

ITEM NO.	SALES NO.	DESCRIPTION
1	B-0199-02	2.2 GPM Aerator w/ Adapter
2	B-0199-01	2.2 GPM Aerator, 55/64-27 UN Female
3	044A	3/8" to Aerator Adapter
4	001043-45	Washer
5	000398-40	Rigid Gooseneck
6	005960-40	Eterna Cartridge, RTC
7	001638-45	Lever Handle
8	001660-45	Blue Index-CW
9	000922-45	Lever Handle Screw
10	002954-45	Shank Lock Nut
11	000999-45	Brass Lock Washer
12	150A	1/4" NPT Tailpiece & Nut



**Product Specifications:**  
 Single Hole Single Temperature Deck Mount Faucet, Eterna Cartridge, Lever Handle, Rigid Gooseneck w/ 2.2 GPM Aerator & 1/2" NPSM Male Inlet

**Product Compliance:**  
 ASME A112.18.1 / CSA B125.1  
 NSF 61 - Section 9  
 NSF 372 (Low Lead Content)  
 ANSI A117.1 (ADA)



**T&S BRASS AND BRONZE WORKS, INC.**

2 Saddleback Cove / P.O. Box 1088  
Travelers Rest, SC 29690

Model No.

**B-0305-VF22**

Item No.

Travelers Rest, SC: 800-476-4103 • Simi Valley, CA: 800-423-0150 • Fax: 864-834-3518 • www.tsbrass.com



**ADA Compliant**

This Space for Architect/Engineer Approval

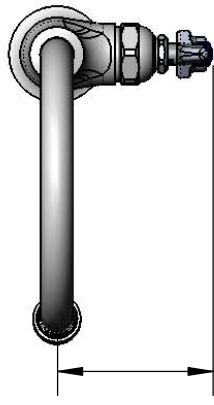
Job Name \_\_\_\_\_ Date \_\_\_\_\_

Model Specified \_\_\_\_\_ Quantity \_\_\_\_\_

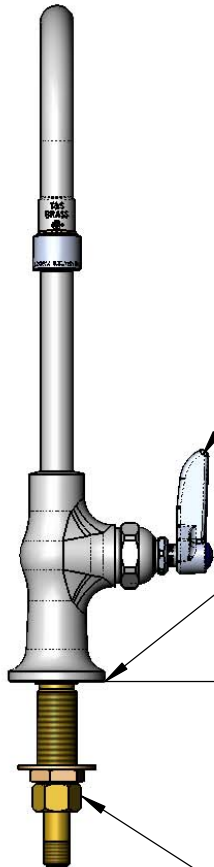
Customer/Wholesaler \_\_\_\_\_

Contractor \_\_\_\_\_

Architect/Engineer \_\_\_\_\_



3 1/4"  
[83mm]



Rigid Gooseneck w/  
B-0199-07 Vandal  
Resistant Aerator  
2.2 GPM

Eterna Cartridge &  
Lever Handle w/  
Color Coded (CW)  
Index

Ø 2"  
[51mm]  
Base  
Mounting Surface

Fits Decks 1 1/8" [29mm] Thick  
or 1 1/4" [32mm] Thick Maximum  
by Removing Washer

150A  
Tailpiece & Nut for  
1/4" NPT Connection

5 1/2"  
[140mm]

8 9/16"  
[217mm]

14 1/16"  
[358mm]

2 1/2"  
[63mm]

1/2" NPSM  
Male Inlet

**Note: Rough-In Requirement**

Ø 1" [25mm] Mounting Hole

Product Specifications:

Single Temperature Deck Mount Faucet w/ Eterna Cartridge, Lever Handle, Rigid Gooseneck w/ 2.2 GPM VR Aerator, & Tailpiece

Drawn

**KJG**

Checked

**DMH**

Approved

**JHB**

Scale:

**1:4**

Date:

**04/12/12**



# T&S BRASS AND BRONZE WORKS, INC.

2 Saddleback Cove / P.O. Box 1088  
Travelers Rest, SC 29690

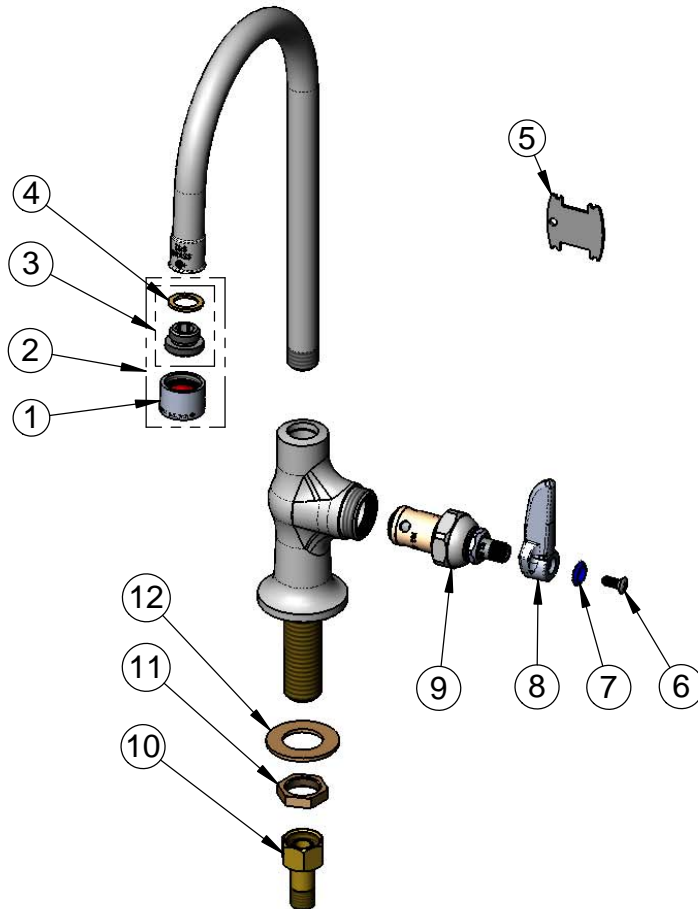
Model No.

**B-0305-VF22**

Item No.

Travelers Rest, SC: 800-476-4103 • Simi Valley, CA: 800-423-0150 • Fax: 864-834-3518 • www.tsbrass.com

ITEM NO.	SALES NO.	DESCRIPTION
1	B-0199-06	VR Aerator w/ Key
2	B-0199-07	2.2 GPM Vandal Resistant Aerator w/ Key
3	044A	3/8" to Aerator Adapter
4	001043-45	Washer
5	015425-45	Vandal Resistant Key
6	000922-45	Lever Handle Screw
7	001660-45	Blue Index-CW
8	001638-45	Lever Handle
9	005960-40	Eterna Cartridge, RTC
10	150A	Bag of (1) Nut & (1) Tailpiece
11	002954-45	Shank Lock Nut
12	000999-45	Brass Lock Washer



Product Specifications:  
Single Temperature Deck Mount Faucet w/ Eterna Cartridge,  
Lever Handle, Rigid Gooseneck w/ 2.2 GPM VR Aerator, &  
Tailpiece

Drawn

**KJG**

Checked

**DMH**

Approved

**JHB**

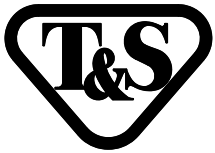
Scale:

**NTS**

Date:

**04/12/12**





# T&S BRASS AND BRONZE WORKS, INC.

2 Saddleback Cove / P.O. Box 1088  
Travelers Rest, SC 29690

Model No.

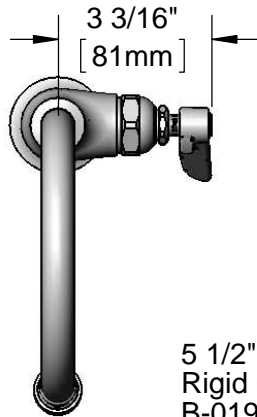
**B-0305-VR**

Item No.

Travelers Rest, SC: 800-476-4103 • Simi Valley, CA: 800-423-0150 • Fax: 864-834-3518 • www.tsbrass.com



**ADA Compliant**



3 3/16"  
[81mm]

This Space for Architect/Engineer Approval

Job Name \_\_\_\_\_ Date \_\_\_\_\_

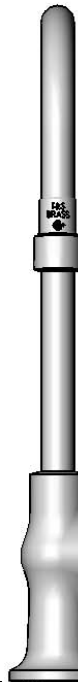
Model Specified \_\_\_\_\_ Quantity \_\_\_\_\_

Customer/Wholesaler \_\_\_\_\_

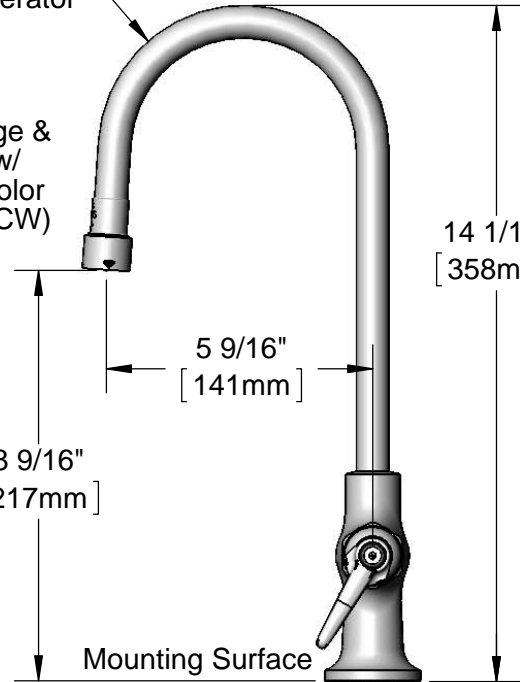
Contractor \_\_\_\_\_

Architect/Engineer \_\_\_\_\_

5 1/2" Spread  
Rigid Gooseneck w/  
B-0199-07  
2.2 GPM VR Aerator



Eterna Cartridge &  
Lever Handle w/  
VR Screw & Color  
Coded Index (CW)



14 1/16"  
[358mm]

5 9/16"  
[141mm]

8 9/16"  
[217mm]

2 5/8"  
[67mm]

2 7/16"  
[62mm]

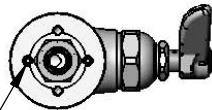
Mounting Surface

Anti-Rotation Pin

Ø 2" [51mm] Flange  
w/ 1/2" NPSM Shank

1 5/8"  
[41mm]  
Maximum  
Thickness

Threaded Anti-Rotation  
Pins May be Inserted in  
Any (2) of (4) Positions  
Preventing Twisting of Faucet



150A  
Optional Tailpiece & Nut  
For 1/4" NPT Connection  
(Included)

Rough-In Requirement:  
Ø 1" [25mm] Mounting Hole

**Product Specifications:**

Single Hole Single Temperature Deck Mount Faucet, Vandal Resistant  
Lever Handle, Vandal Resistant 2.2 GPM Aerator & Vandal Resistant  
Anti-Rotation Counter Pins

**Product Compliance:**

ASME A112.18.1 / CSA B125.1  
NSF 61 - Section 9  
NSF 372 (Low Lead Content)  
ANSI A117.1 (ADA)



# T&S BRASS AND BRONZE WORKS, INC.

2 Saddleback Cove / P.O. Box 1088  
Travelers Rest, SC 29690

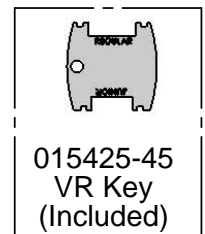
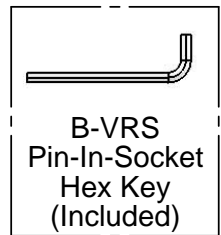
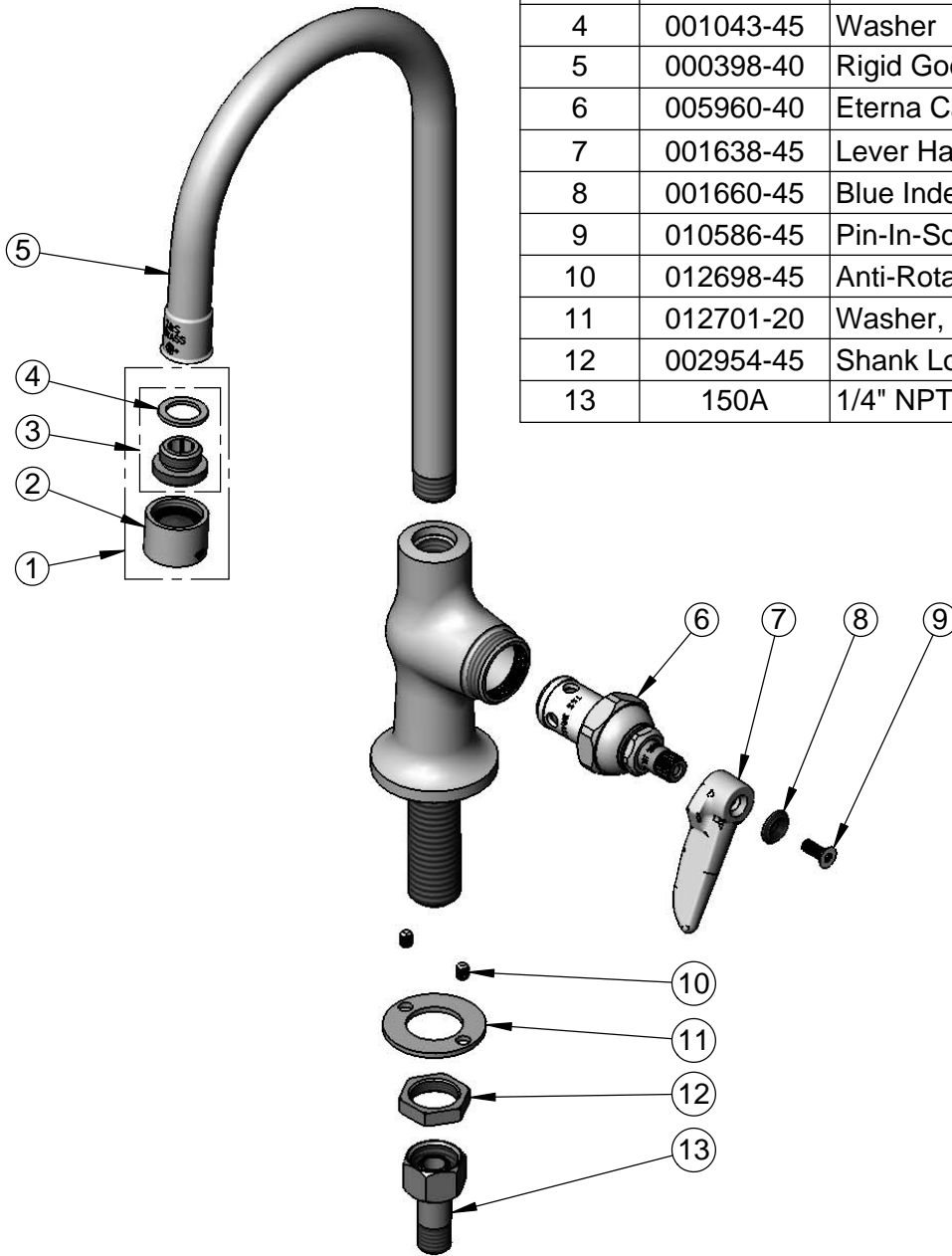
Model No.

**B-0305-VR**

Item No.

Travelers Rest, SC: 800-476-4103 • Simi Valley, CA: 800-423-0150 • Fax: 864-834-3518 • www.tsbrass.com

ITEM NO.	SALES NO.	DESCRIPTION
1	B-0199-07	VR 2.2 GPM Aerator, 3/8" NPSM Male w/ Key
2	B-0199-06	VR 2.2 GPM Aerator w/ Key
3	044A	Adapter w/ Washer For B-0199-02 Aerator
4	001043-45	Washer
5	000398-40	Rigid Gooseneck
6	005960-40	Eterna Cartridge, RTC
7	001638-45	Lever Handle
8	001660-45	Blue Index-CW
9	010586-45	Pin-In-Socket Screw
10	012698-45	Anti-Rotation Pin (2)
11	012701-20	Washer, Shank - VR Bubbler
12	002954-45	Shank Lock Nut
13	150A	1/4" NPT Tailpiece & Nut



**Product Specifications:**

Single Hole Single Temperature Deck Mount Faucet, Vandal Resistant  
Lever Handle, Vandal Resistant 2.2 GPM Aerator & Vandal Resistant  
Anti-Rotation Counter Pins

**Product Compliance:**

ASME A112.18.1 / CSA B125.1  
NSF 61 - Section 9  
NSF 372 (Low Lead Content)  
ANSI A117.1 (ADA)



**T&S BRASS AND BRONZE WORKS, INC.**

2 Saddleback Cove / P.O. Box 1088  
Travelers Rest, SC 29690

Model No.

**B-0305-QT-WS**

Item No.

Travelers Rest, SC: 800-476-4103 • Simi Valley, CA: 800-423-0150 • Fax: 864-834-3518 • www.tsbrass.com

This Space for Architect/Engineer Approval

Job Name \_\_\_\_\_ Date \_\_\_\_\_

Model Specified \_\_\_\_\_ Quantity \_\_\_\_\_

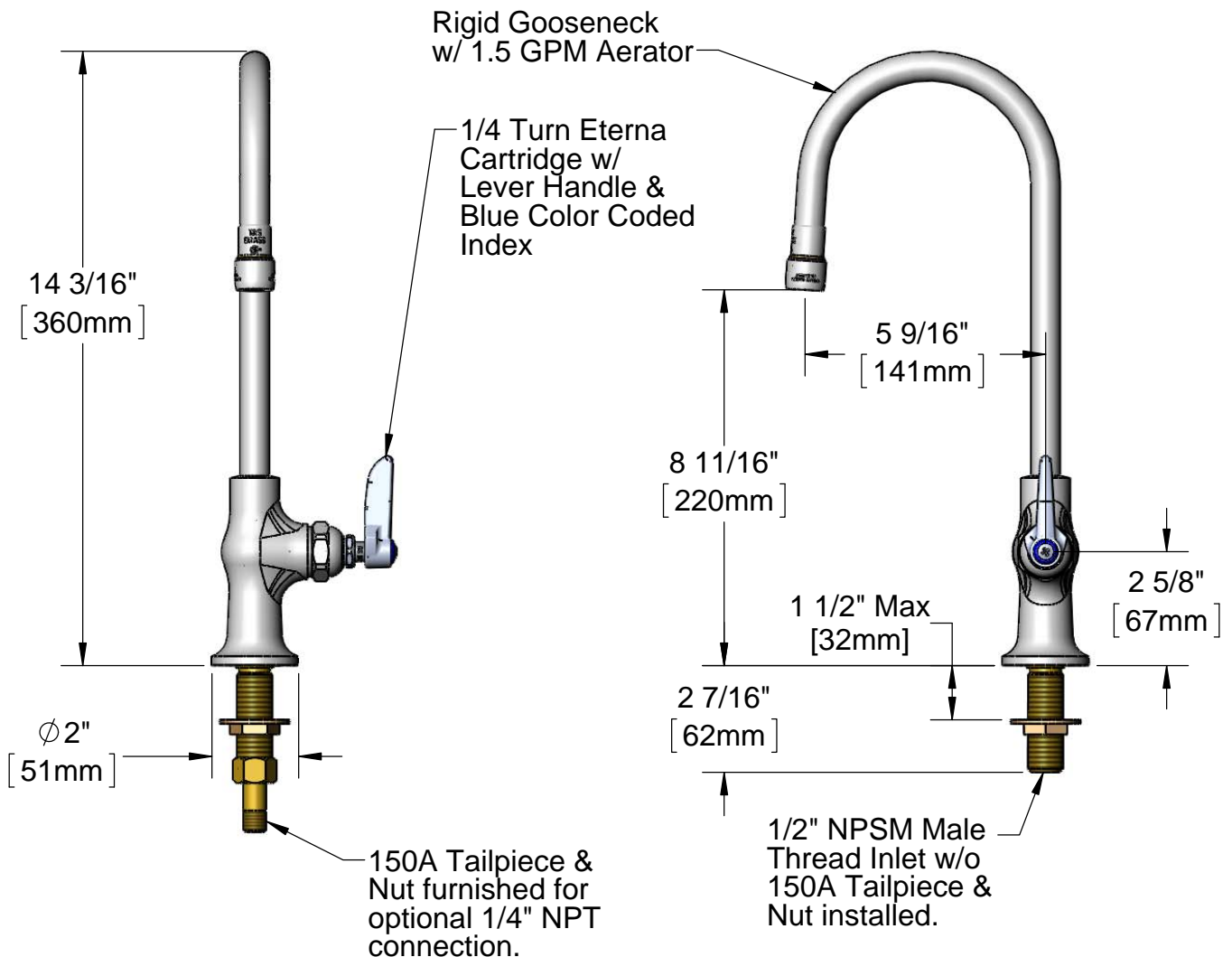
Customer/Wholesaler \_\_\_\_\_

Contractor \_\_\_\_\_

Architect/Engineer \_\_\_\_\_



**ADA Compliant**



**Rough-in Requirement:**  
Ø 1" [25mm] Hole

Product Specifications:  
Single Pantry Faucet, Rigid Gooseneck, 1.5 GPM Aerator,  
Quarter Turn Eterna Cartridge, Lever Handle, 1/2" NPSM Shank Inlet

Drawn

**DMH**

Checked

**KJG**

Approved

**JHB**

Scale:

**1:4**

Date:

**02/24/12**



# T&S BRASS AND BRONZE WORKS, INC.

2 Saddleback Cove / P.O. Box 1088

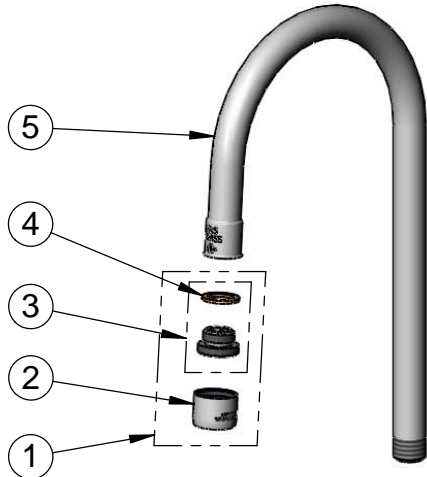
Travelers Rest, SC 29690

Model No.

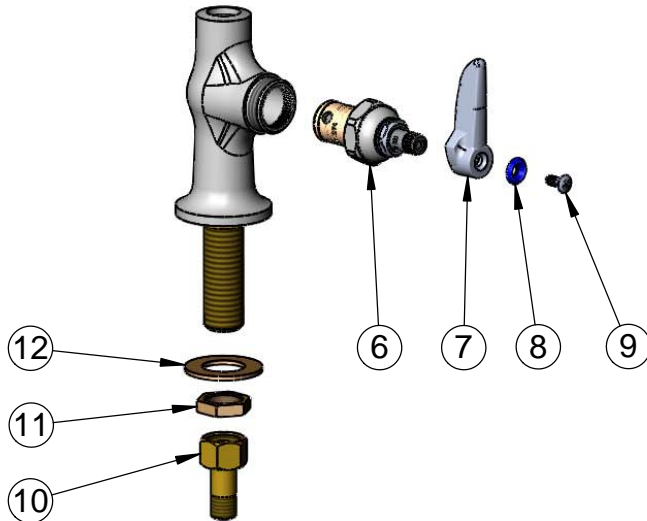
**B-0305-QT-WS**

Item No.

Travelers Rest, SC: 800-476-4103 • Simi Valley, CA: 800-423-0150 • Fax: 864-834-3518 • www.tsbrass.com



ITEM NO.	SALES NO.	DESCRIPTION
1	B-0199-02-WS	1.5 GPM Aerator w/ Adapter
2	B-0199-01-WS	1.5 GPM Aerator, 55/64-27 Female
3	044A	3/8" to Aerator Adapter
4	001043-45	Washer
5	000398-40	Rigid Gooseneck
6	005960-40QT	1/4 Turn Eterna, RTC
7	001638-45	Lever Handle
8	001660-45	Blue Index-CW
9	000922-45	Lever Handle Screw
10	150A	1/4" NPT Tailpiece & Nut
11	002954-45	Shank Lock Nut
12	000999-45	Brass Lock Washer



**Product Specifications:**

Single Pantry Faucet, Rigid Gooseneck, 1.5 GPM Aerator, Quarter Turn Eterna Cartridge, Lever Handle, 1/2" NPSM Shank Inlet

Drawn

**DMH**

Checked

**KJG**

Approved

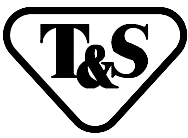
**JHB**

Scale:

**NTS**

Date:

**02/24/12**



**T&S BRASS AND BRONZE WORKS, INC.**  
 2 SADDLEBACK COVE / P.O. BOX 1088 / TRAVELERS REST, SC 29690  
 PHONE 800-476-4103 - FAX 864- 834-3518



Model No.

B-0305-03

**RELIABILITY  
 BUILT IN**

Job Name:

Architect/Engineer Approval:

Notes:



Note 1: Lever Handle Screw Removable Only w/ Hex Key. (Furnished by T&S)

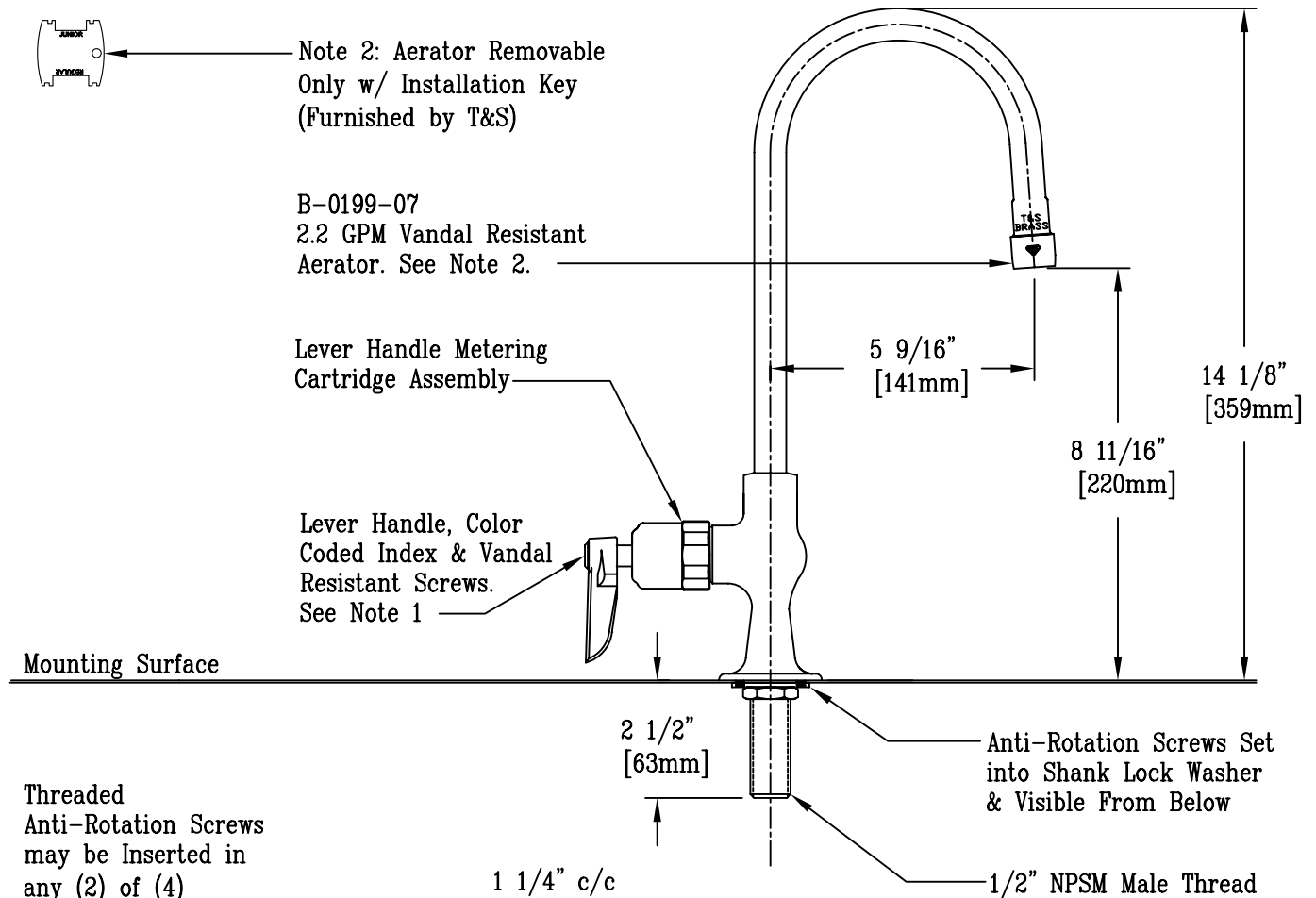


Note 2: Aerator Removable Only w/ Installation Key (Furnished by T&S)

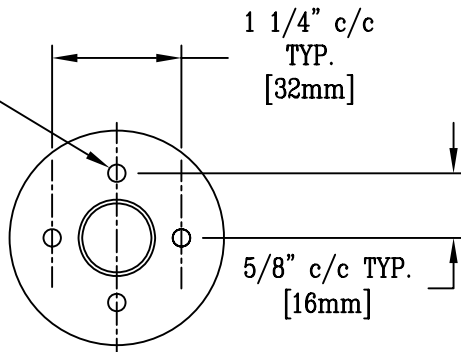
B-0199-07  
 2.2 GPM Vandal Resistant Aerator. See Note 2.

Lever Handle Metering Cartridge Assembly

Lever Handle, Color Coded Index & Vandal Resistant Screws. See Note 1



Threaded Anti-Rotation Screws may be Inserted in any (2) of (4) Positions Preventing Twisting of Faucet



**BOTTOM VIEW  
 SCALE : 1:2**

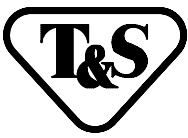
150A Tailpiece and Nut Furnished for Optional 1/4" NPT Connection



ADA COMPLIANT

Product Description:  
 B-0305 Single Supply Faucet w/ Vandal Resistant Self Closing Lever Handle, Vandal Resistant 2.2 GPM Aerator and Anti-Rotation Countertop Screws

Drawn: DHL	Checked JRM	Scale: 1:4
Approved JHB	Date: 01/06/08	



**T&S BRASS AND BRONZE WORKS, INC.**  
 2 SADDLEBACK COVE / P.O. BOX 1088 / TRAVELERS REST, SC 29690  
 PHONE 800-476-4103 - FAX 864- 834-3518



Model No.

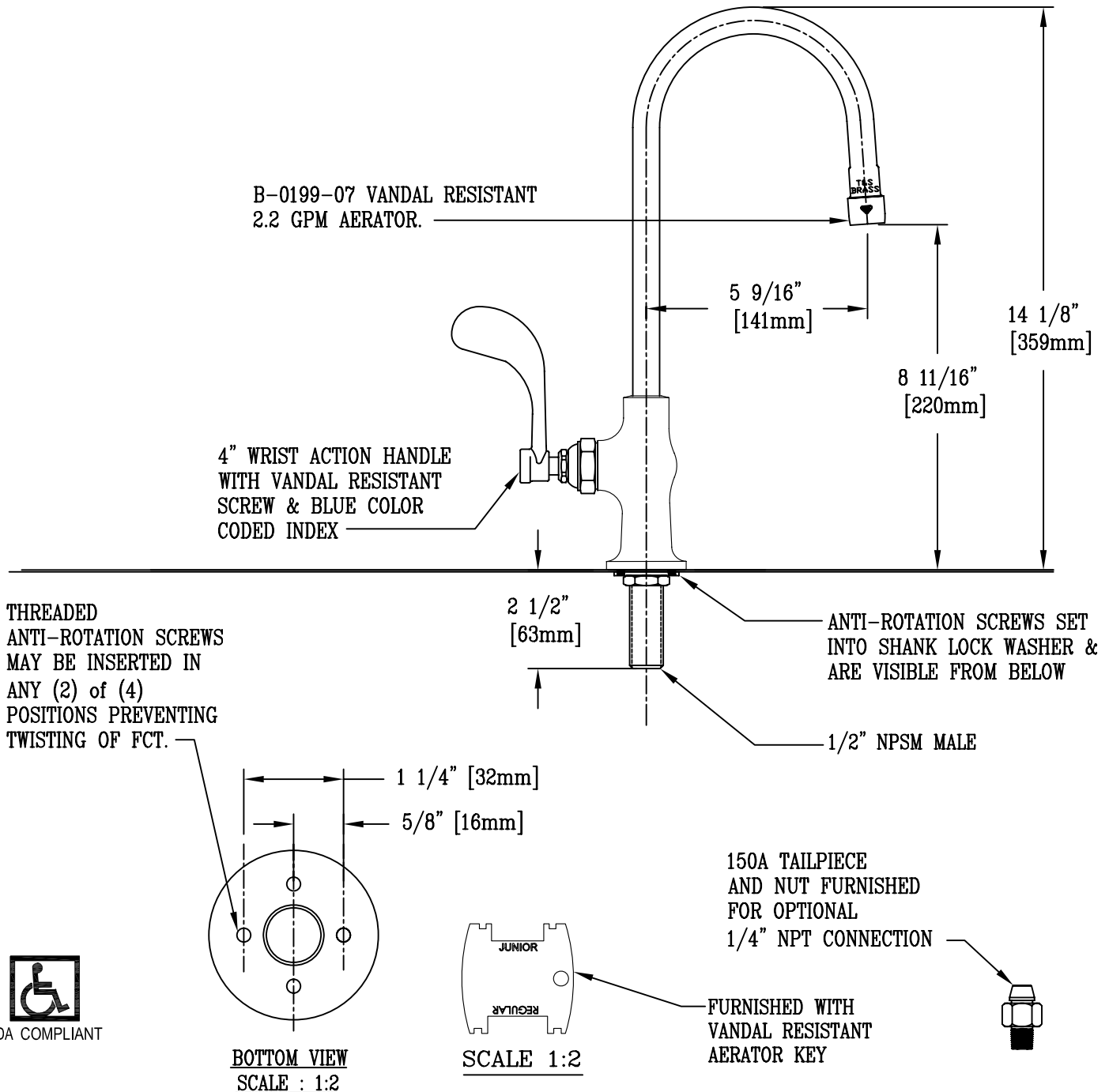
B-0305-VR4

**RELIABILITY  
BUILT IN**

Job Name:

Architect/Engineer Approval:

Notes:



ADA COMPLIANT

Product Description:  
 B-0305 SINGLE SUPPLY FCT. w/ VANDAL RESISTANT WRIST ACTION  
 HANDLE, VANDAL RESISTANT AERATOR, AND ANTI ROTATION  
 COUNTER SCREWS

Drawn:	Checked	Scale:
BHR	DHL	1 : 4
Approved	Date:	
JHB	7/11/07	