



**T&S BRASS AND BRONZE WORKS, INC.**

2 Saddleback Cove / P.O. Box 1088  
Travelers Rest, SC 29690

Model No.

**B-0260-CR-177F**

Item No.

Travelers Rest, SC: 800-476-4103 • Simi Valley, CA: 800-423-0150 • Fax: 864-834-3518 • www.tsbrass.com



**ADA Compliant**

This Space for Architect/Engineer Approval

Job Name \_\_\_\_\_ Date \_\_\_\_\_

Model Specified \_\_\_\_\_ Quantity \_\_\_\_\_

Customer/Wholesaler \_\_\_\_\_

Contractor \_\_\_\_\_

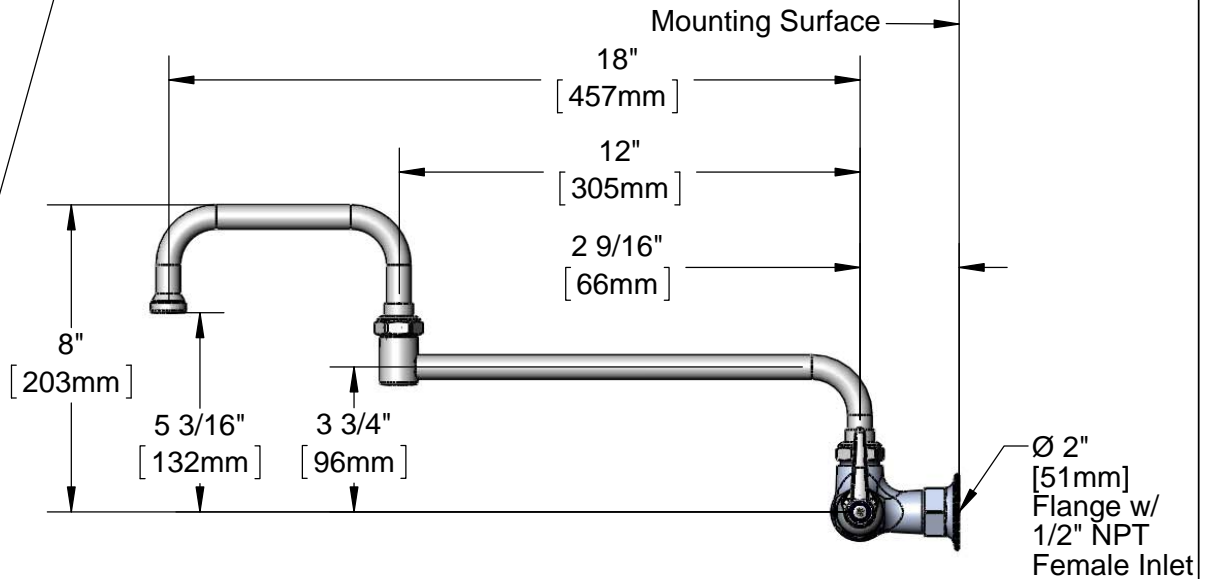
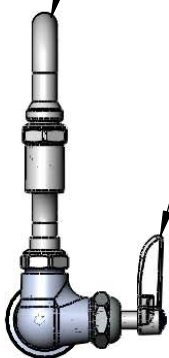
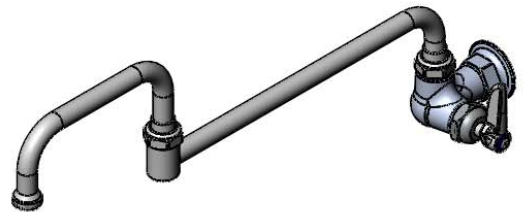
Architect/Engineer \_\_\_\_\_

3 1/8"  
[80mm]



068X  
18" Double Joint Swing Nozzle  
w/ Stream Regulator.

Cerama Cartridge &  
Lever Handle w/  
Color Coded Index



Product Specifications:

Single Temp Wall Mount Faucet, Cerama Cartridge, Lever Handle, 18" Double Joint Swing Nozzle & 1/2" NPT Female Inlet

Drawn

**DHL**

Checked

**DMH**

Approved

**JHB**

Scale:

**1:5**

Date:

**05/11/12**



# T&S BRASS AND BRONZE WORKS, INC.

2 Saddleback Cove / P.O. Box 1088

Travelers Rest, SC 29690

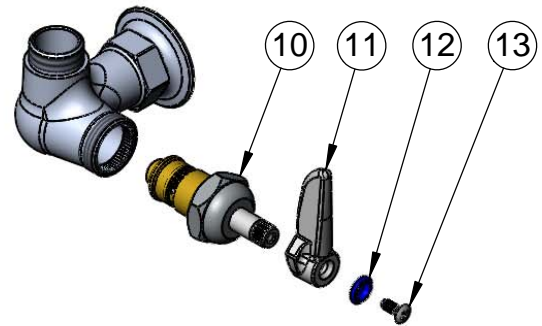
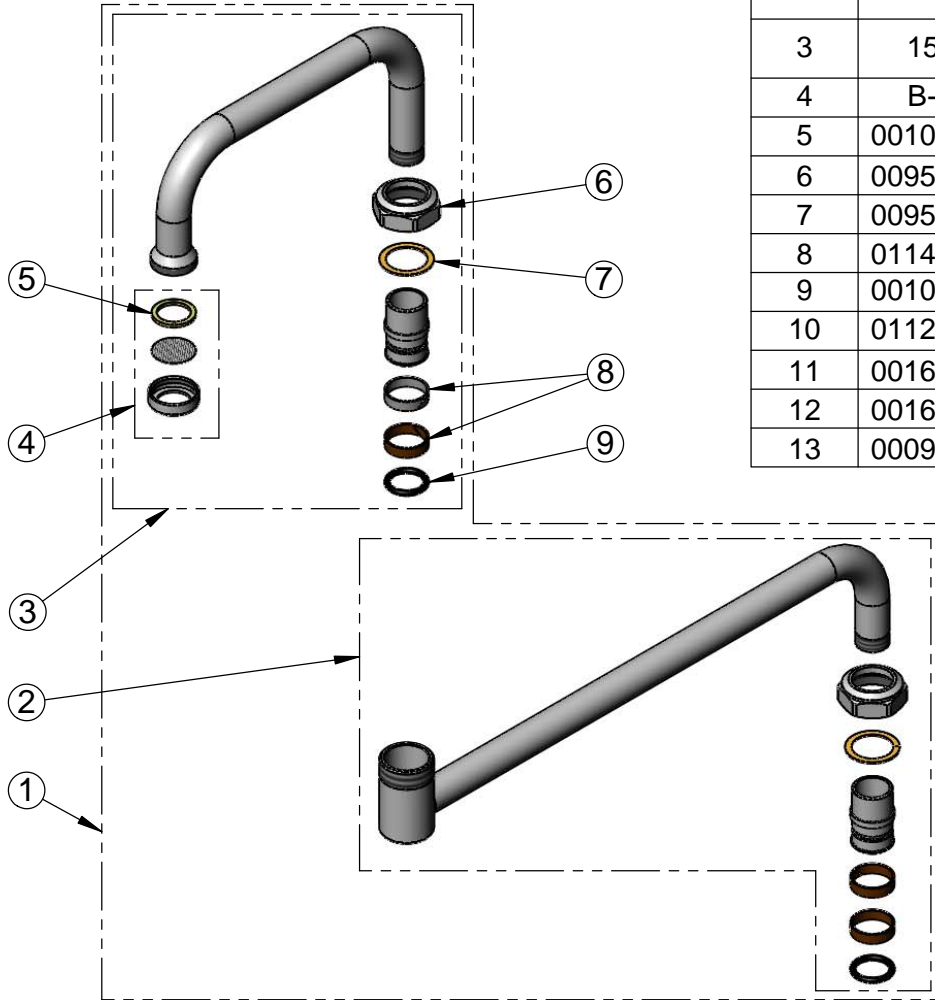
Model No.

**B-0260-CR-177F**

Item No.

Travelers Rest, SC: 800-476-4103 • Simi Valley, CA: 800-423-0150 • Fax: 864-834-3518 • www.tsbrass.com

ITEM NO.	SALES NO.	DESCRIPTION
1	068X	18" Double Joint Swing Nozzle
2	002871-40	Double Joint Swing Nozzle, 12" Back Section
3	153X	Double Joint Swing Nozzle, 6" Front Section
4	B-PT	Stream Regulator
5	001048-45	Nozzle Tip Washer
6	009536-25	Swivel Nut
7	009538-45	Swivel Washer
8	011429-45	Swivel Sleeves (2)
9	001074-45	O-Ring
10	011278-25	Cerama Cartridge, RTC
11	001638-45	Lever Handle
12	001660-45	Blue Index-CW
13	000922-45	Lever Handle Screw



**Product Specifications:**

Single Temp Wall Mount Faucet, Cerama Cartridge, Lever Handle, 18" Double Joint Swing Nozzle & 1/2" NPT Female Inlet

Drawn

**DHL**

Checked

**DMH**

Approved

**JHB**

Scale:

**NTS**

Date:

**05/11/12**

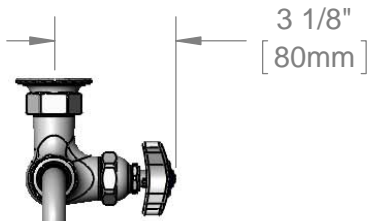


**T&S BRASS AND BRONZE WORKS, INC.**  
 2 Saddleback Cove / P.O. Box 1088  
 Travelers Rest, SC 29690

Model No.  
**B-0260**

Item No.

Travelers Rest, SC: 800-476-4103 • Simi Valley, CA: 800-423-0150 • Fax: 864-834-3518 • www.tsbrass.com



3 1/8"  
 [80mm]



**ADA Compliant**

This Space for Architect/Engineer Approval

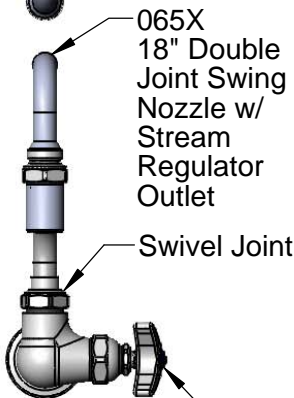
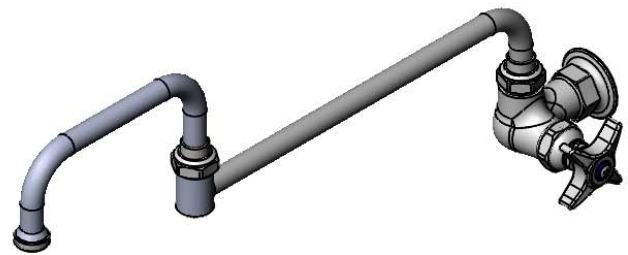
Job Name \_\_\_\_\_ Date \_\_\_\_\_

Model Specified \_\_\_\_\_ Quantity \_\_\_\_\_

Customer/Wholesaler \_\_\_\_\_

Contractor \_\_\_\_\_

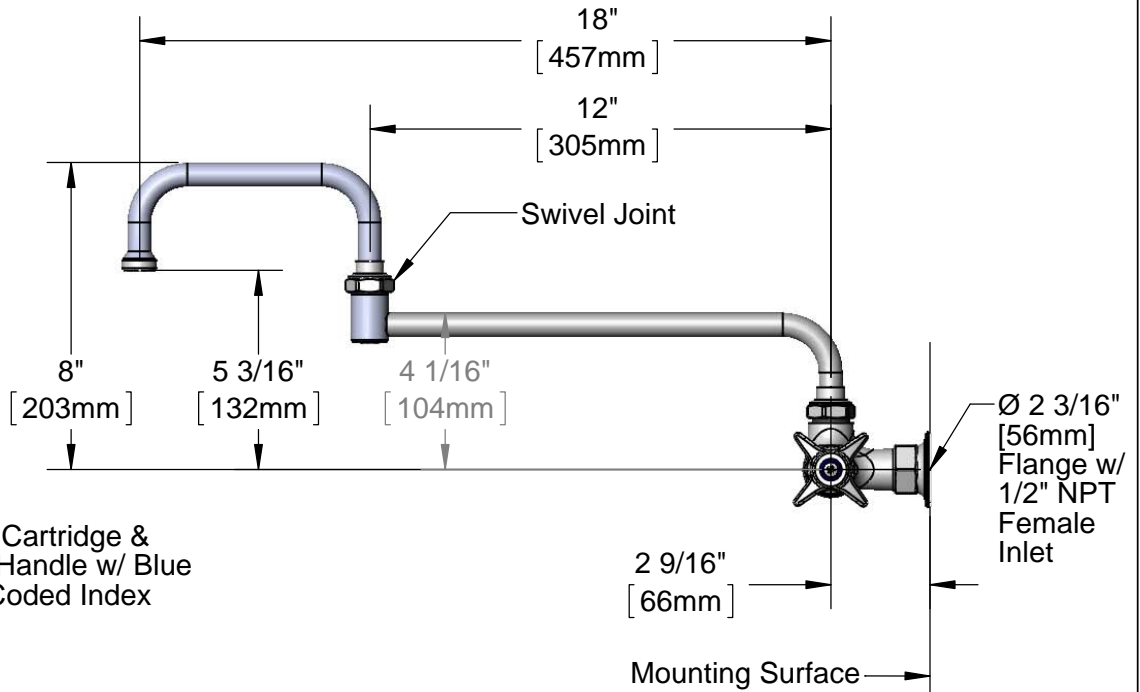
Architect/Engineer \_\_\_\_\_



065X  
 18" Double  
 Joint Swing  
 Nozzle w/  
 Stream  
 Regulator  
 Outlet

Swivel Joint

Eterna Cartridge &  
 4-Arm Handle w/ Blue  
 Color Coded Index



Product Specifications:  
 Single Hole Single Temperature Wall Mount Faucet, Eterna  
 Cartridge, 4-Arm Handle, 18" Double Joint Swing Nozzle &  
 1/2" NPT Female Inlet

Drawn <b>DHL</b>	Checked <b>DMH</b>	Approved <b>JHB</b>
Scale: <b>1:5</b>		Date: <b>02/04/14</b>

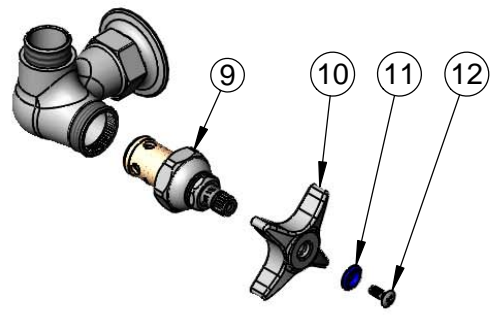
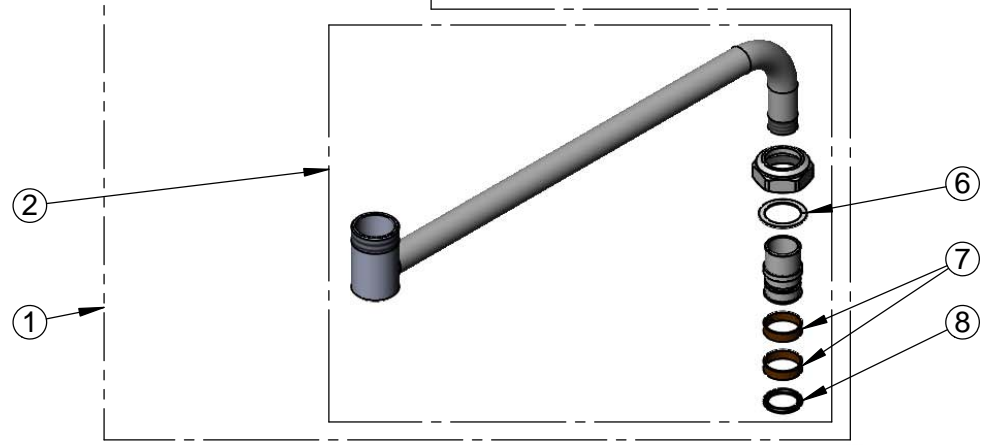
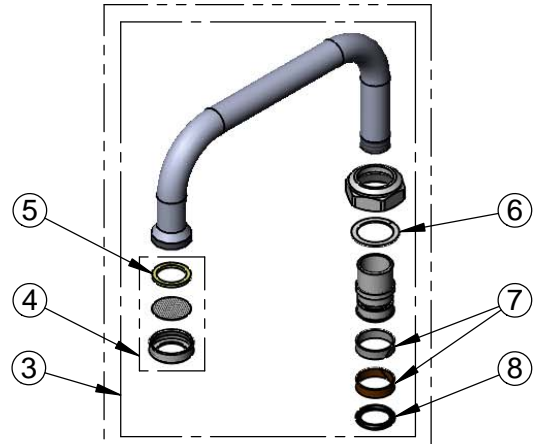


**T&S BRASS AND BRONZE WORKS, INC.**  
 2 Saddleback Cove / P.O. Box 1088  
 Travelers Rest, SC 29690

Model No.  
**B-0260**  
 Item No.

Travelers Rest, SC: 800-476-4103 • Simi Valley, CA: 800-423-0150 • Fax: 864-834-3518 • www.tsbrass.com

ITEM NO.	SALES NO.	DESCRIPTION
1	068X	18" Double Joint Swing Nozzle
2	002871-40	12" Back Section
3	153X	6" Front Section
4	B-PT	Stream Regulator Outlet
5	001048-45	Nozzle Tip Washer
6	009538-45	Swivel Washer
7	011429-45	Swivel Sleeves (2)
8	001074-45	O-Ring
9	005960-40	Eterna Cartridge, RTC
10	002521-45	4-Arm Handle
11	001660-45	Blue Index-CW
12	000922-45	Lever Handle Screw



Product Specifications:  
 Single Hole Single Temperature Wall Mount Faucet, Eterna Cartridge, 4-Arm Handle, 18" Double Joint Swing Nozzle & 1/2" NPT Female Inlet

Drawn <b>DHL</b>	Checked <b>DMH</b>	Approved <b>JHB</b>
Scale: <b>NTS</b>		Date: <b>02/04/14</b>