



T&S BRASS AND BRONZE WORKS, INC.

2 Saddleback Cove / P.O. Box 1088
Travelers Rest, SC 29690

Model No.

B-0207

Item No.

Travelers Rest, SC: 800-476-4103 • Simi Valley, CA: 800-423-0150 • Fax: 864-834-3518 • www.tsbrass.com

This Space for Architect/Engineer Approval

Job Name _____ Date _____

Model Specified _____ Quantity _____

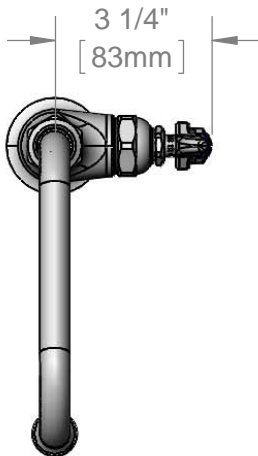
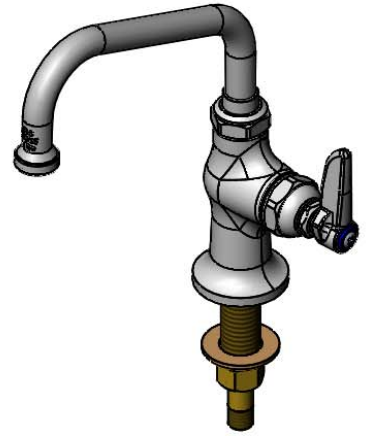
Customer/Wholesaler _____

Contractor _____

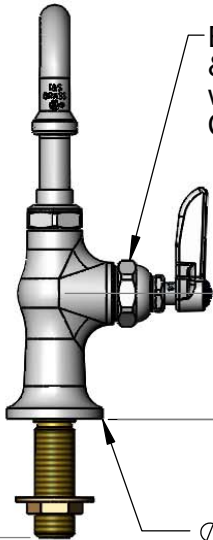
Architect/Engineer _____



ADA Compliant



3 1/4"
[83mm]



Eterna Cartridge & Lever Handle
w/ Blue Color
Coded Index

2 5/8"
[67mm]

2 1/2"
[63mm]

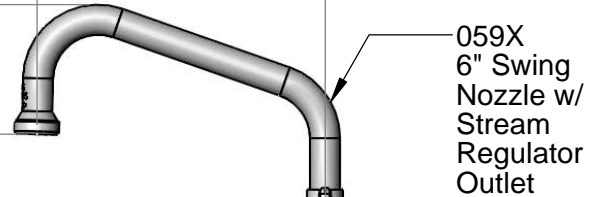
Ø 2" [51mm] Flange w/
1/2" NPSM Male Inlet

8 5/8"
[220mm]

5 15/16"
[151mm]

Mounting Surface

6"
[152mm]



059X
6" Swing
Nozzle w/
Stream
Regulator
Outlet

150A
Optional Tailpiece & Nut
For 1/4" NPT Connection
(Included)

1 5/8"
[41mm]
Maximum
Thickness

Rough-In Requirement:
Ø 1" [25mm] Mounting Hole

Product Specifications:

Single Hole Single Temperature Deck Mount Faucet, Eterna Cartridge, Lever Handle, 6" Swing Nozzle, & 1/2" NPSM Male Inlet

Product Compliance:

ASME A112.18.1 / CSA B125.1
NSF 61 - Section 9
NSF 372 (Low Lead Content)
ANSI A117.1 (ADA)



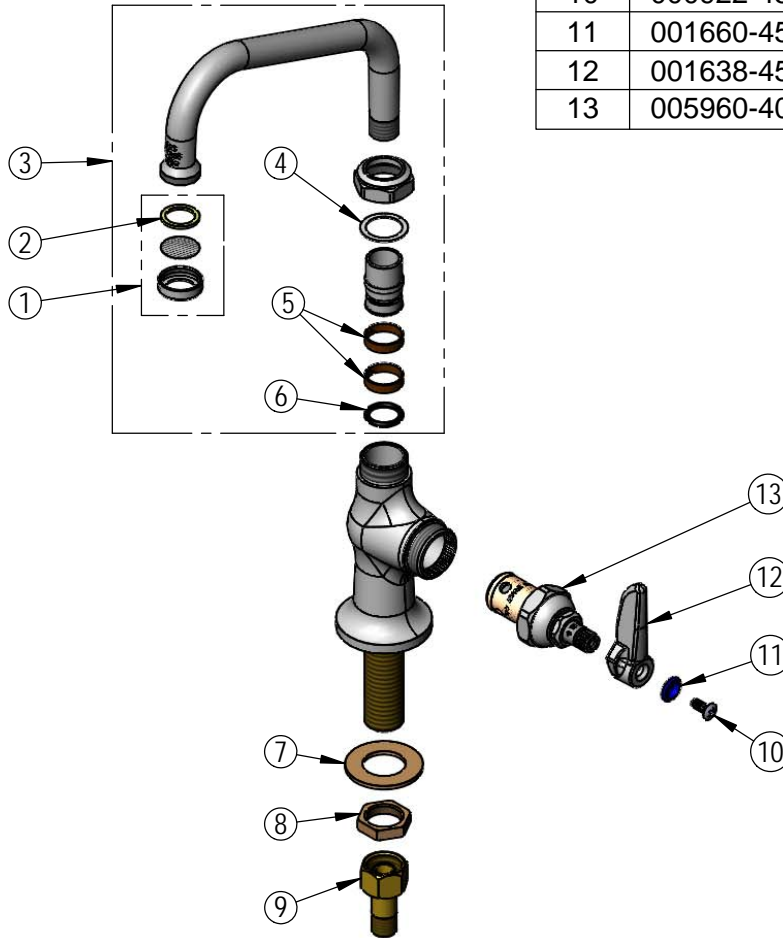
T&S BRASS AND BRONZE WORKS, INC.
 2 Saddleback Cove / P.O. Box 1088
 Travelers Rest, SC 29690

Model No.
B-0207

Item No.

Travelers Rest, SC: 800-476-4103 • Simi Valley, CA: 800-423-0150 • Fax: 864-834-3518 • www.tsbrass.com

ITEM NO.	SALES NO.	DESCRIPTION
1	B-PT	Stream Regulator Outlet
2	001048-45	Nozzle Tip Washer
3	059X	6" Swing Nozzle
4	009538-45	Swivel Washer
5	011429-45	Swivel Sleeves (2)
6	001074-45	O-Ring
7	000999-45	Brass Lock Washer
8	002954-45	Shank Lock Nut
9	150A	1/4" NPT Tailpiece & Nut
10	000922-45	Lever Handle Screw
11	001660-45	Blue Index-CW
12	001638-45	Lever Handle
13	005960-40	Eterna Cartridge, RTC



Product Specifications:
 Single Hole Single Temperature Deck Mount Faucet, Eterna Cartridge,
 Lever Handle, 6" Swing Nozzle, & 1/2" NPSM Male Inlet

Product Compliance:
 ASME A112.18.1 / CSA B125.1
 NSF 61 - Section 9
 NSF 372 (Low Lead Content)
 ANSI A117.1 (ADA)



T&S BRASS AND BRONZE WORKS, INC.

2 Saddleback Cove / P.O. Box 1088
Travelers Rest, SC 29690

Model No.

B-0207-CR

Item No.

Travelers Rest, SC: 800-476-4103 • Simi Valley, CA: 800-423-0150 • Fax: 864-834-3518 • www.tsbrass.com



ADA Compliant

This Space for Architect/Engineer Approval

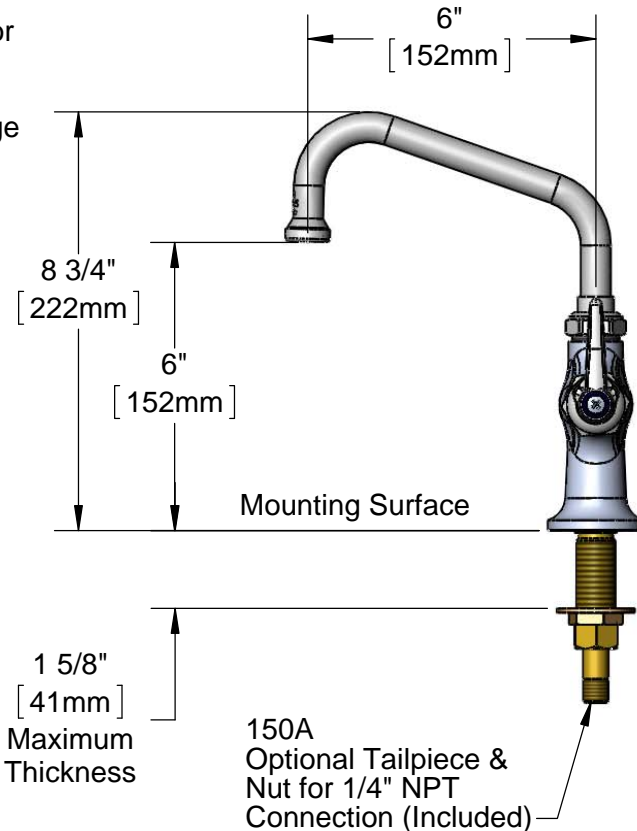
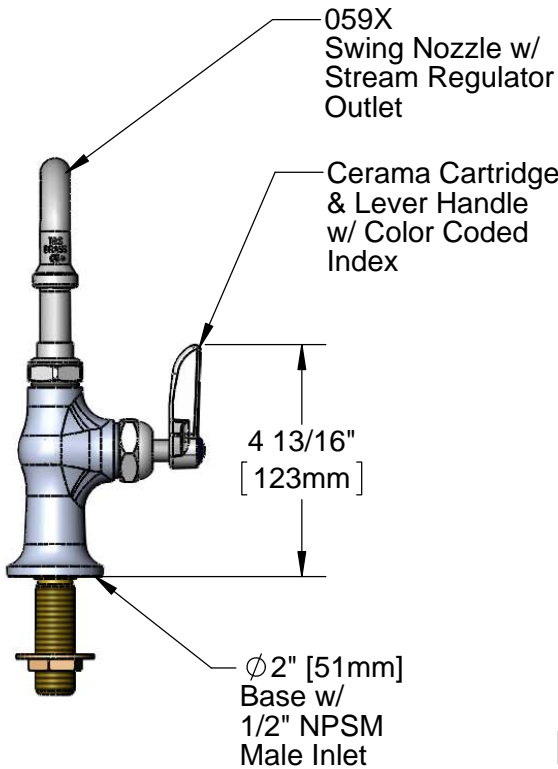
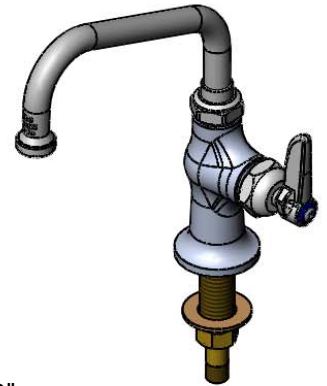
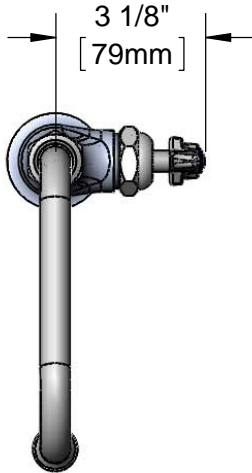
Job Name _____ Date _____

Model Specified _____ Quantity _____

Customer/Wholesaler _____

Contractor _____

Architect/Engineer _____



Rough-In Requirement:
Ø 1" [Ø 25mm] Mounting Hole

Product Specifications:
Single Hole Single Temperature Deck Mount Faucet, Cerama Cartridge, Lever Handle, 6" Swing Nozzle w/ Stream Regulator Outlet & 1/2" NPSM Male Inlet

Product Compliance:
ASME A112.18.1 / CSA B125.1
NSF 61 - Section 9
NSF 372 (Low Lead Content)
ANSI A117.1 (ADA)

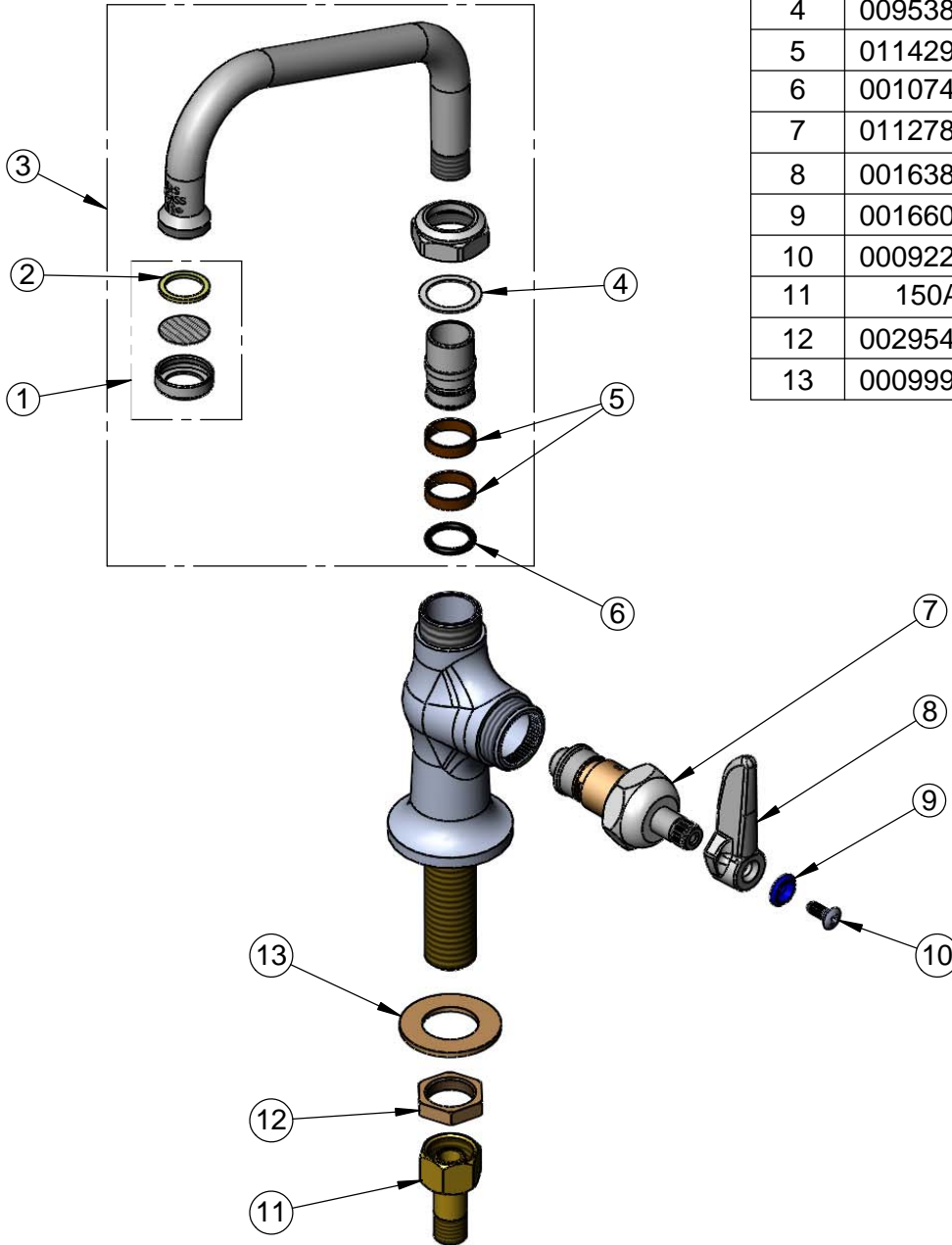


T&S BRASS AND BRONZE WORKS, INC.
 2 Saddleback Cove / P.O. Box 1088
 Travelers Rest, SC 29690

Model No.
B-0207-CR
 Item No.

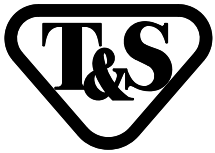
Travelers Rest, SC: 800-476-4103 • Simi Valley, CA: 800-423-0150 • Fax: 864-834-3518 • www.tsbrass.com

ITEM NO.	SALES NO.	DESCRIPTION
1	B-PT	Stream Regulator Outlet
2	001048-45	Nozzle Tip Washer
3	059X	6" Swing Nozzle
4	009538-45	Swivel Washer
5	011429-45	Swivel Sleeves (2)
6	001074-45	O-Ring
7	011278-25	Cerama Cartridge, RTC
8	001638-45	Lever Handle
9	001660-45	Blue Index-CW
10	000922-45	Lever Handle Screw
11	150A	Bag of (1) Nut & (1) Tailpiece
12	002954-45	Shank Lock Nut
13	000999-45	Brass Lock Washer



Product Specifications:
 Single Hole Single Temperature Deck Mount Faucet, Cerama Cartridge,
 Lever Handle, 6" Swing Nozzle w/ Stream Regulator Outlet & 1/2" NPSM
 Male Inlet

Product Compliance:
 ASME A112.18.1 / CSA B125.1
 NSF 61 - Section 9
 NSF 372 (Low Lead Content)
 ANSI A117.1 (ADA)



T&S BRASS AND BRONZE WORKS, INC.

2 Saddleback Cove / P.O. Box 1088
Travelers Rest, SC 29690

Model No.

B-0207-CR-LS

Item No.

Travelers Rest, SC: 800-476-4103 • Simi Valley, CA: 800-423-0150 • Fax: 864-834-3518 • www.tsbrass.com



ADA Compliant

This Space for Architect/Engineer Approval

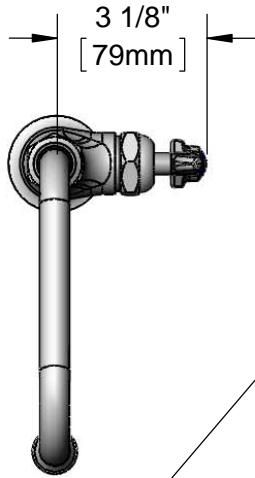
Job Name _____ Date _____

Model Specified _____ Quantity _____

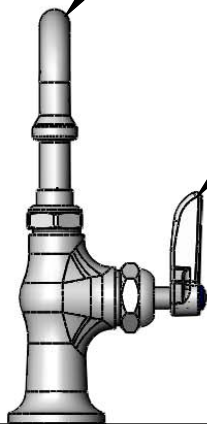
Customer/Wholesaler _____

Contractor _____

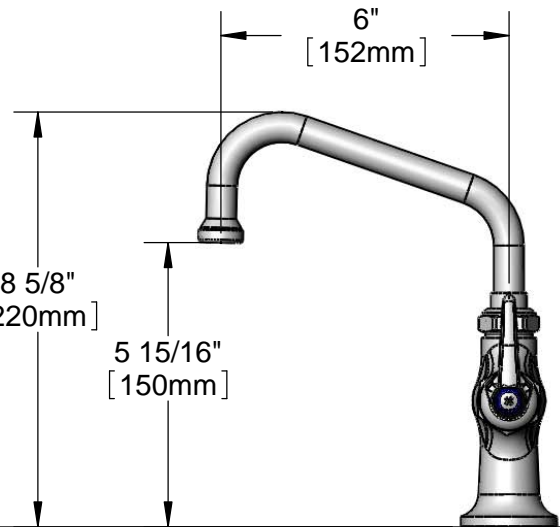
Architect/Engineer _____



059X
Swing Nozzle w/
Stream Regulator Outlet



Ceramic Cartridges &
Lever Handle w/ Color
Coded Index



Mounting Surface

Ø 2" [51mm]
Base w/ 3/4-20UN
Female Inlet

Inlet Shank w/
Shank Washer &
Lock Nut Will Be
Shipped Un-Installed.



150A
(1) Tailpiece (1) Nut
Furnished for 1/4" NPT
Connection.



Rough-In Requirement:
Ø 1" [Ø 25mm] Mounting Hole

Product Specifications:
Single Pantry Faucet w/ Ceramic Cartridges, 6" Swing Nozzle
w/ Stream Regulator Outlet, Lever Handle, Loose Shank Inlet
& Tailpiece

Drawn
DHL

Checked
KJG

Approved
JHB

Scale:
1:4

Date:
05/18/12



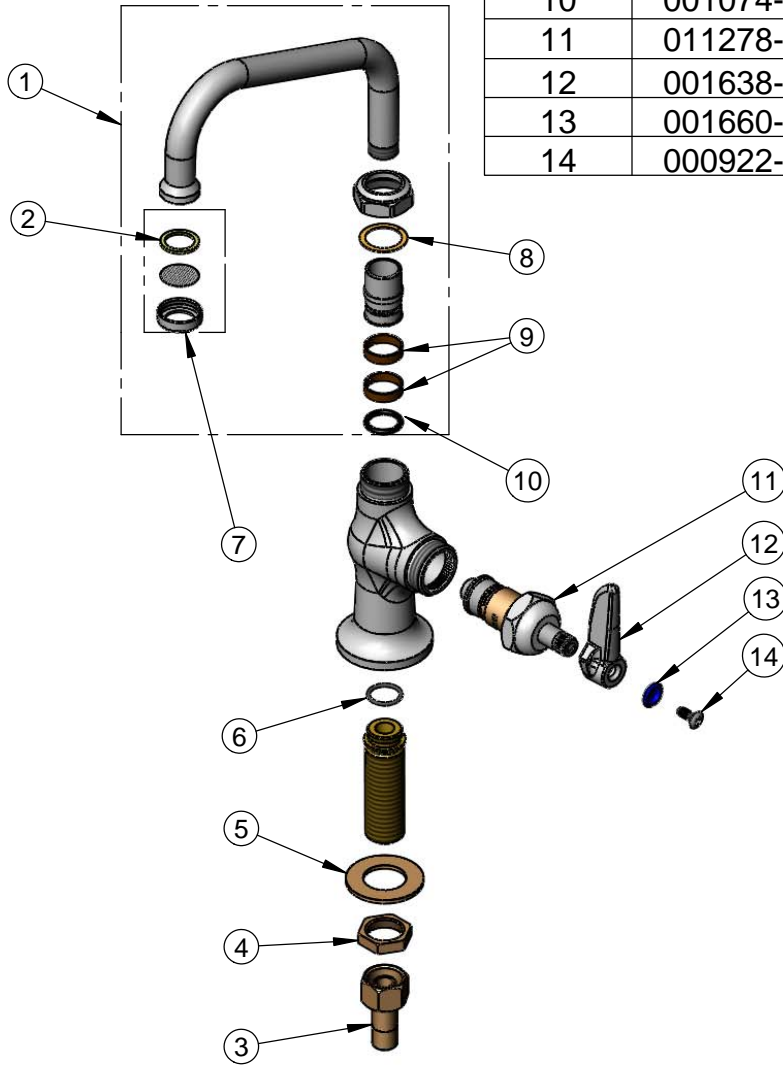
T&S BRASS AND BRONZE WORKS, INC.
 2 Saddleback Cove / P.O. Box 1088
 Travelers Rest, SC 29690

Model No.
B-0207-CR-LS

Item No.

Travelers Rest, SC: 800-476-4103 • Simi Valley, CA: 800-423-0150 • Fax: 864-834-3518 • www.tsbrass.com

ITEM NO.	SALES NO.	DESCRIPTION
1	059X	6" Swing Nozzle w/ Stream Regulator
2	001048-45	Nozzle Tip Washer
3	150A	Bag of (1) Nut & (1) Tailpiece
4	002954-45	Shank Lock Nut
5	000999-45	Brass Lock Washer
6	001079-45	O-ring, Size -016
7	B-PT	Stream Regulator Outlet
8	009538-45	Swivel Washer
9	011429-45	Swivel Sleeves (2)
10	001074-45	O-Ring
11	011278-25	Cerama Cartridge RTC
12	001638-45	Lever Handle
13	001660-45	Blue Index-CW
14	000922-45	Lever Handle Screw



Product Specifications:
 Single Pantry Faucet w/ Ceramic Cartridges, 6" Swing Nozzle
 w/ Stream Regulator Outlet, Lever Handle, Loose Shank Inlet
 & Tailpiece

Drawn DHL	Checked KJG	Approved JHB
Scale: NTS		Date: 05/18/12



T&S BRASS AND BRONZE WORKS, INC.
 2 SADDLEBACK COVE / P.O. BOX 1088 / TRAVELERS REST, SC 29690
 PHONE 800-476-4103 - FAX 864- 834-3518



Model No.

B-0277

RELIABILITY
 BUILT IN

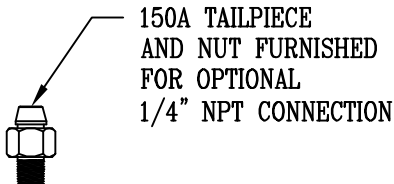
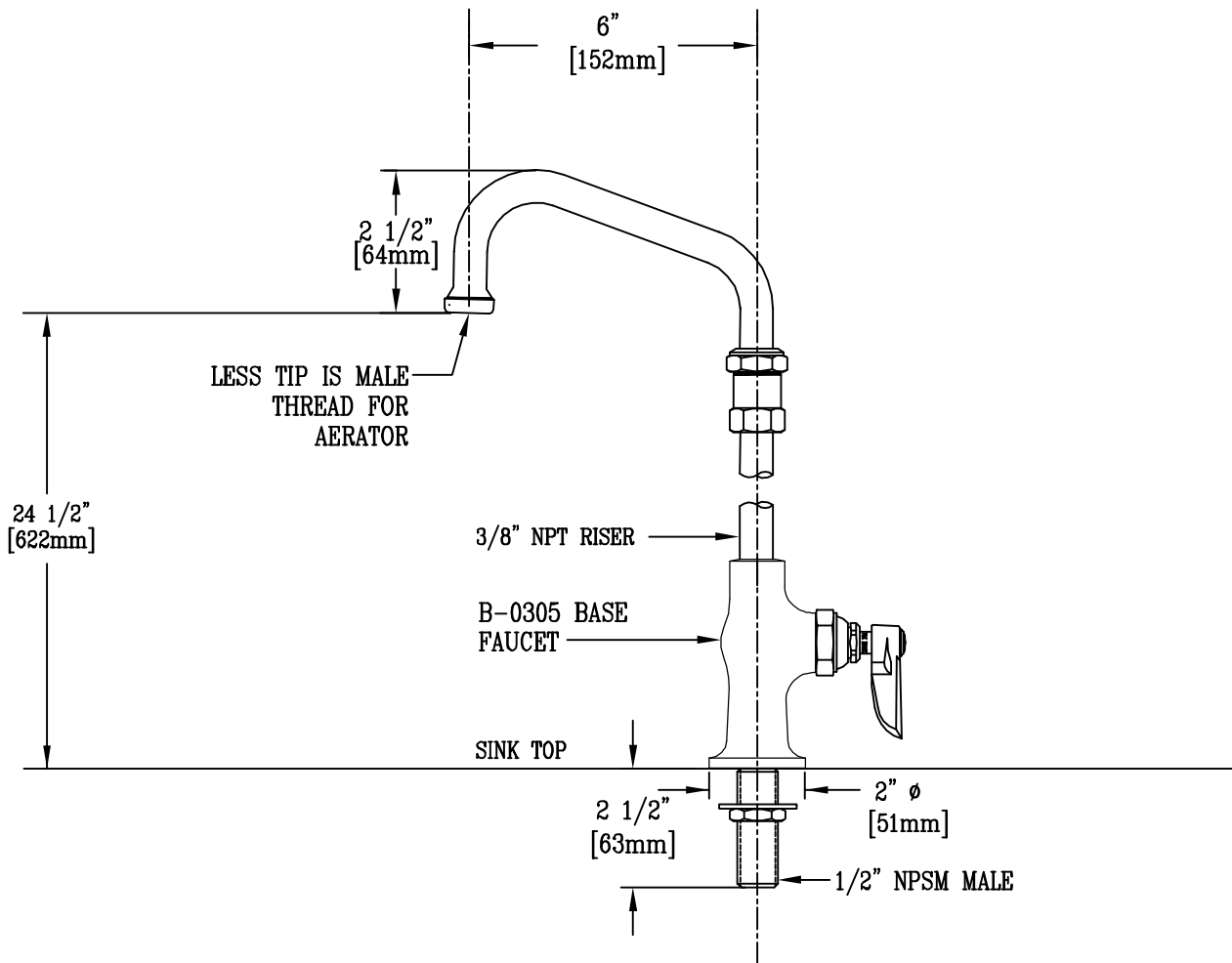
Job Name:

Architect/Engineer Approval:

Notes:



ADA COMPLIANT



NSF STANDARD 61, SECTION 9 CERTIFIED

Product Description:
 SINGLE PANTRY FCT. WITH ELEVATED
 6" SWING NOZZLE, LEVER HANDLES,
 AND 1/2" NPSM MALE SHANK INLET

Drawn:

LEL

Checked

JKD

Scale:

1:4

Approved

MVW

Date:

9/11/02